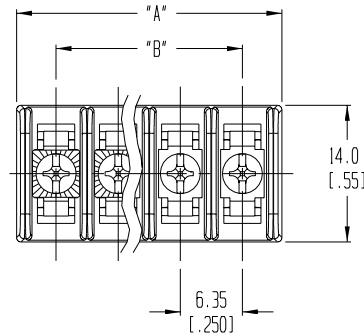
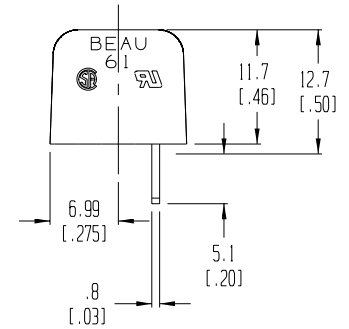
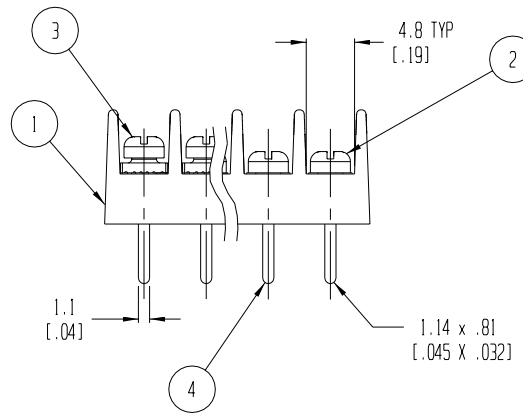


| MATERIAL NO. (-C-W OPTION) | MATERIAL NO. (INSULATOR) | MATERIAL NO. (-50 OPTION) | # OF CIRC. "XX" | "A"          | "B"          |
|----------------------------|--------------------------|---------------------------|-----------------|--------------|--------------|
| 386106302                  | 386182535                | 386107502                 | 2               | 14.5 (.57)   | 6.4 (.25)    |
| 386106303                  | 386182536                | 386107503                 | 3               | 20.8 (.82)   | 12.7 (.50)   |
| 386106304                  | 386182537                | 386107504                 | 4               | 27.2 (1.07)  | 19.1 (.75)   |
| 386106305                  | 386182538                | 386107505                 | 5               | 33.5 (1.32)  | 25.4 (1.00)  |
| 386106306                  | 386182539                | 386107506                 | 6               | 39.9 (1.57)  | 31.8 (1.25)  |
| 386106307                  | 386182540                | 386107507                 | 7               | 46.2 (1.82)  | 38.1 (1.50)  |
| 386106308                  | 386182541                | 386107508                 | 8               | 52.6 (2.07)  | 44.5 (1.75)  |
| 386106309                  | 386182542                | 386107509                 | 9               | 58.9 (2.32)  | 50.8 (2.00)  |
| 386106310                  | 386182543                | 386107510                 | 10              | 65.3 (2.57)  | 57.2 (2.25)  |
| 386106311                  | 386182544                | 386107511                 | 11              | 71.6 (2.82)  | 63.5 (2.50)  |
| 386106312                  | 386182545                | 386107512                 | 12              | 78.0 (3.07)  | 69.9 (2.75)  |
| 386106313                  | 386182546                | 386107513                 | 13              | 84.3 (3.32)  | 76.2 (3.00)  |
| 386106314                  | 386182547                | 386107514                 | 14              | 90.7 (3.57)  | 82.6 (3.25)  |
| 386106315                  | 386182548                | 386107515                 | 15              | 97.0 (3.82)  | 88.9 (3.50)  |
| 386106316                  | 386182549                | 386107516                 | 16              | 103.4 (4.07) | 95.3 (3.75)  |
| 386106317                  | 386182550                | 386107517                 | 17              | 109.7 (4.32) | 101.6 (4.00) |
| 386106318                  | 386182551                | 386107518                 | 18              | 116.1 (4.57) | 108.0 (4.25) |
| 386106319                  | 386182552                | 386107519                 | 19              | 122.4 (4.82) | 114.3 (4.50) |
| 386106320                  | 386182553                | 386107520                 | 20              | 128.8 (5.07) | 120.7 (4.75) |
| 386106321                  | 386182554                | 386107521                 | 21              | 135.1 (5.32) | 127.0 (5.00) |
| 386106322                  | 386182555                | 386107522                 | 22              | 141.5 (5.57) | 133.4 (5.25) |
| 386106323                  | 386182556                | 386107523                 | 23              | 147.8 (5.82) | 139.7 (5.50) |
| 386106324                  | 386182557                | 386107524                 | 24              | 154.2 (6.07) | 146.1 (5.75) |
| 386106325                  | 386182558                | 386107525                 | 25              | 160.5 (6.32) | 152.4 (6.00) |
| 386106326                  | 386182559                | 386107526                 | 26              | 166.9 (6.57) | 158.8 (6.25) |
| 386106327                  | 386182560                | 386107527                 | 27              | 173.2 (6.82) | 165.1 (6.50) |
| 386106328                  | 386182561                | 386107528                 | 28              | 179.6 (7.07) | 171.5 (6.75) |
| 386106329                  | 386182562                | 386107529                 | 29              | 185.9 (7.32) | 177.8 (7.00) |
| 386106330                  | 386182563                | 386107530                 | 30              | 192.3 (7.57) | 184.2 (7.25) |
| 386106331                  | 386182564                | 386107531                 | 31              | 198.6 (7.82) | 190.5 (7.50) |
| 386106332                  | 386182565                | 386107532                 | 32              | 205.0 (8.07) | 196.9 (7.75) |



4 CIRCUIT SHOWN



NOTES:

1. MATERIAL: SEE TABLE
2. FINISHES: SEE TABLE
3. PRODUCT SPECIFICATION: NOT REQUIRED
4. INCH DIMS ARE SHOWN IN PARENTHESIS (XXX)
5. "XX" REFERS TO NUMBER OF CIRCUITS

|   |    |                          |           |                |
|---|----|--------------------------|-----------|----------------|
| 4 | XX | TERMINAL, STYLE 5        | 380021131 | 6104-2711-A260 |
| 3 | XX | SCREW & WASHER (-50 OPT) | 380010141 | 6004-9201-C220 |
| 2 | XX | SCREW (STD.)             | 380010138 | 6004-9101-A120 |
| 1 | 1  | BARRIER TERMINAL STRIP   | SEE CHART | 6103-XX01-V000 |

| ITEM | QTY. | DESCRIPTION | MATERIAL NO. | ENGINEERING NO. |
|------|------|-------------|--------------|-----------------|
|------|------|-------------|--------------|-----------------|

|  |  |  |  |  |                        |   |
|--|--|--|--|--|------------------------|---|
| EC NO. RELEASED<br>DRWN: WH 10-22-03<br>CHK: _____<br>APPR: _____<br>A | QUALITY SYMBOLS<br>MAJOR =<br>CRITICAL =<br>SPC =<br>S = | GENERAL TOLERANCES: (UNLESS SPECIFIED)<br>mm      INCH<br>4 PLACES      ±.0015<br>3 PLACES      ±.038      ±.005<br>2 PLACES      ±.13      ±.01<br>1 PLACE      ±.3 |  | SCALE 2:1<br>DESIGN UNITS <input type="checkbox"/> mm <input checked="" type="checkbox"/> INCH                                 | THIRD ANGLE PROJECTION | PROJECT NO. -<br>DIMENSIONS: <input checked="" type="checkbox"/> mm <input type="checkbox"/> INCH <input type="checkbox"/> mm ONLY<br>SHT 1 REV -<br>REVISE ON CAD ONLY |
|  |  | DRAWN BY & DATE<br>W. HOWARD 10-22-03<br>CHECKED BY & DATE<br>APPROVED BY & DATE   | TITLE: 61 SERIES BTS PC ASSY<br>MOLEX INCORPORATED |  |                        |   |
| CAD FILENAME<br>615XX-C-W  | MATERIAL NO.<br>SEE CHART                                | DRAWING NO.<br>E-615XX-C-W   | SHEET NO.<br>1 OF 1                                | THIS DRAWING CONTAINS INFORMATION THAT IS PROPRIETARY TO MOLEX INCORPORATED AND SHOULD NOT BE USED WITHOUT WRITTEN PERMISSION. |                        |   |