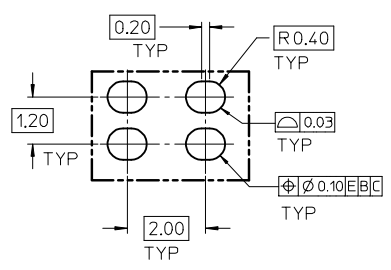
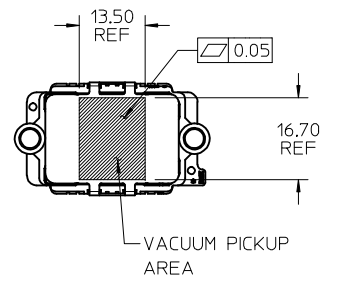


NOTES:

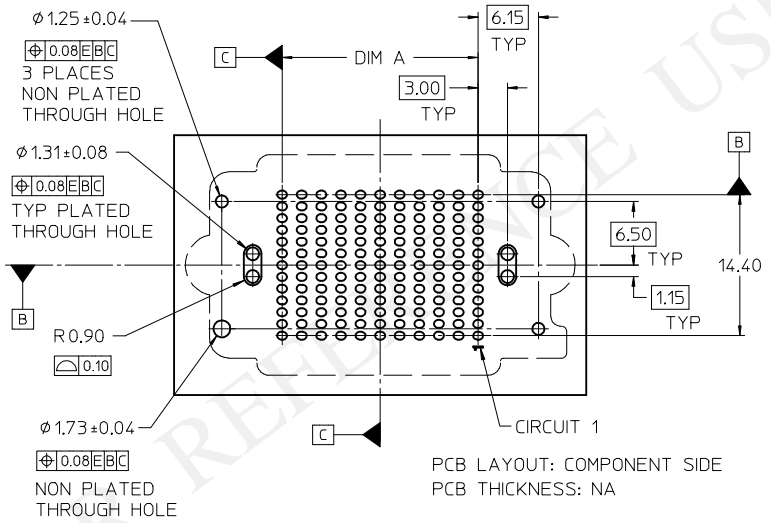
- HOUSING MATERIAL: LIQUID CRYSTAL POLYMER, GLASS FILLED, UL 94V-0, BLACK
CONTACT MATERIAL: HIGH PERFORMANCE COPPER ALLOY
SOLDER NAIL MATL: STAINLESS STEEL
SOLDER CHARGE MATL: 63% TIN, 37% LEAD
- FINISH:
CONTACT AREA: 0.76 MICROMETER (30 MICROINCH) MINIMUM GOLD
TAIL AREA: 2.54 MICROMETER (100 MICROINCH) MINIMUM 90/10 TIN-LEAD
ENTIRE TERMINAL: NICKEL UNDERPLATE
- PRODUCT SPEC: PS-45802-001
- COSMETIC SPEC: PS-45499-002 CLASS B
- PACKAGING SPEC: PK-45802-001 MOLEX STANDARD TRAYS
- DATUM -D- IS THE CENTERLINE OF THE 2 END SLOTS. END SLOT CENTERLINES ARE ESTABLISHED USING 2 MEASUREMENTS FOR EACH SLOT TAKEN 7.20 EITHER SIDE OF DATUM -B-.
- THERE ARE 13 CIRCUITS PER ROW

INITIAL RELEASE EC NO: UCP2016-2554 DRWN: TIBARRA 2015/12/21 CHKD: BBARKER 2015/12/21 APPR: TIBARRA 2016/01/27	DESCRIPTION 1	QUALITY SYMBOLS $\nabla E/0$ $\nabla E/0$ $\nabla E/0$	GENERAL TOLERANCES (UNLESS SPECIFIED) mm INCH 4 PLACES \pm --- \pm --- 3 PLACES ± 0.050 \pm --- 2 PLACES ± 0.15 \pm --- 1 PLACE ± 0.3 \pm --- 0 PLACE \pm \pm	DIMENSION STYLE MM ONLY DRAWN BY DATE TIBARRA 2015/12/21 CHECKED BY DATE BBARKER 2015/12/21 APPROVED BY DATE TIBARRA 2016/01/27	SCALE 2:1 DESIGN UNITS METRIC	THIRD ANGLE PROJECTION	TITLE HIGH DENSITY MEZZANINE RECEPTACLE ASSEMBLY TIN-LEAD TAILS, CHARGES	MATERIAL NO. SEE TABLE	DOCUMENT NO. RSD-45802-0001	SHEET NO. 1 OF 2		
		ANGULAR $\pm 1/2^\circ$			DRAFT WHERE APPLICABLE MUST REMAIN WITHIN DIMENSIONS		THIS DRAWING CONTAINS INFORMATION THAT IS PROPRIETARY TO MOLEX INCORPORATED AND SHOULD NOT BE USED WITHOUT WRITTEN PERMISSION					
		MOLEX										
		DIMENSIONS ARE IN MILLIMETERS UNLESS OTHERWISE SPECIFIED										

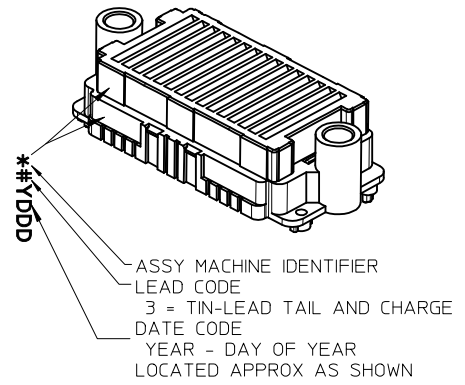
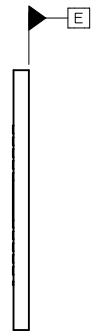
			10	9	8	7	6	5	4	3	2	1
F	STACK HEIGHT:		8 mm	9 mm	10 mm	11 mm	12 mm	13 mm	14 mm	15 mm	17 mm	18 mm
	DIM B:		10,51	11,51	12,51	13,51	14,51	15,51	16,51	17,51	19,51	20,51
	DIM C:		8,90	9,90	10,90	11,90	12,90	13,90	14,90	15,90	17,90	18,90
E	ROWS	DIM A	DIM D	MATERIAL No	MATERIAL No	MATERIAL No	MATERIAL No	MATERIAL No	MATERIAL No	MATERIAL No	MATERIAL No	
	07	12.00	31.89									
	09	16.00	35.89									
	11	20.00	39.89	45802-0111								
	13	24.00	43.89									
	15	28.00	47.89									
	17	32.00	51.89									
	19	36.00	55.89									
	21	40.00	59.89									
	23	44.00	63.89									
25	48.00	67.89										
27	52.00	71.89										



SOLDER PAD DETAIL
SCALE 8:1



PCB LAYOUT: COMPONENT SIDE
PCB THICKNESS: NA



SEE SHEET 1 EC NO: UCP2016-2554 DRAWN: TIBARRA 2015/12/21 CHKD: BBARKER 2015/12/21 APPR: TIBARRA 2016/01/27	QUALITY SYMBOLS ▽/0 ▽/0 ▽/0	GENERAL TOLERANCES (UNLESS SPECIFIED)		DIMENSION STYLE MM ONLY		SCALE 2:1	DESIGN UNITS METRIC	THIRD ANGLE PROJECTION	
		4 PLACES ± --- ± ---	mm INCH	DRAWN BY TIBARRA	DATE 2015/12/21	TITLE HIGH DENSITY MEZZANINE RECEPTACLE ASSEMBLY TIN-LEAD TAILS, CHARGES			
		3 PLACES ± 0.050 ± ---		CHECKED BY BBARKER	DATE 2015/12/21				
		2 PLACES ± 0.15 ± ---		APPROVED BY TIBARRA	DATE 2016/01/27	DOCUMENT NO. RSD-45802-0001			
		1 PLACE ± 0.3 ± ---		MATERIAL NO.					
0 PLACE ± ±		ANGULAR ± 1/2°		THIS DRAWING CONTAINS INFORMATION THAT IS PROPRIETARY TO MOLEX INCORPORATED AND SHOULD NOT BE USED WITHOUT WRITTEN PERMISSION					
DRAFT WHERE APPLICABLE MUST REMAIN WITHIN DIMENSIONS		SIZE B							