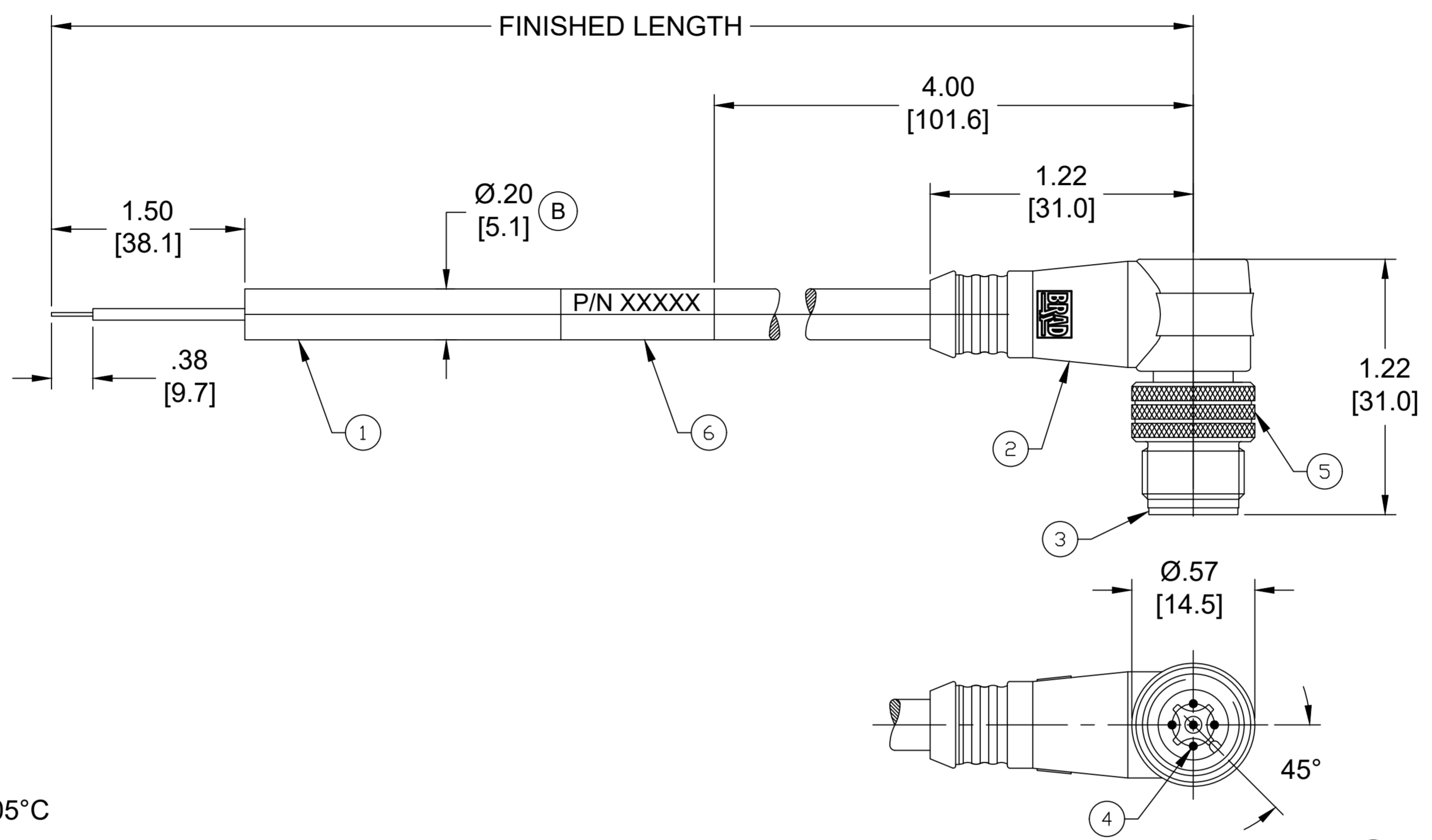
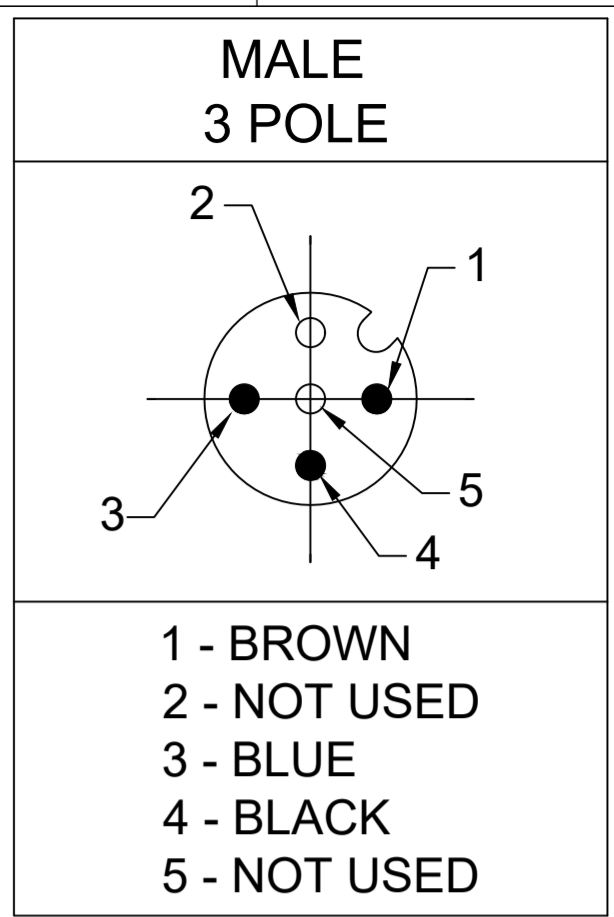


PART NO	ENGINEERING NO.	FINISHED LENGTH
1200651495	803007A09M010	1M [ 3FT 3 IN ]
1200651499	803007A09M050	5M [ 15FT 5 IN ]



- NOTES:**
- MATERIAL: AS NOTED
  - FINISH: AS NOTED
  - ELECTRICAL:  
VOLTAGE: 250V  
CURRENT: 4A
  - TEMP RATING: -20°TO +105°C
  - PROTECTION: IP67 (WHEN MATED)
  - COUPLING THREAD: M12X1
  - UL RECOGNIZED FILE: E152210  
CSA CERTIFIED FILE: LR6837 (B)
  - ALL DIMENSIONS ARE FOR REFERENCE  
UNLESS TOLERANCED OR NOTED OTHERWISE

**PART NO. MATRIX**  
**803007A09M010**

FINISHED LENGTH  
M005 = 0.5 METER  
M010 = 1 METER  
M100 = 10 METER

(B)

**CABLE LENGTH TOLERANCES**

<.3M [1FT]:	+19mm-0 [+ .75in-0]
.3 - .9M [1 - 3FT]:	+44.5mm-0 [+1.75in-0]
.9 - 1.8M [3 - 6FT]:	+55.6mm-0 [+2.19in-0]
1.8 - 3.7M [6 - 12FT]:	+88.9mm-0 [+3.50in-0]
3.7 - 7.3M [12 - 24FT]:	+165.1mm-0 [+6.50in-0]
7.3-14.6M [24 - 48FT]:	+317.5mm-0 [+12.50in-0]
14.6 - 30.5M [48-100FT]:	+622.3mm-0 [+24.50in-0]
OVER 30M [100FT]:	+2% OF FINISHED LENGTH

ITEM	DESCRIPTION	MATERIAL	FINISH
6	LABEL	VINYL	BLACK/YELLOW
5	COUPLER	BRASS	NICKEL PLATED
4	PIN CONTACT	COPPER ALLOY	GOLD OVER NICKEL
3	INSERT	PUR	BLACK
2	OVERMOLD	PUR	YELLOW
1	#22/3 CABLE	PVC JACKET	YELLOW

FUNCTIONAL SYMBOLS	THIS DRAWING CONTAINS INFORMATION THAT IS PROPRIETARY TO MOLEX ELECTRONIC TECHNOLOGIES, LLC AND SHOULD NOT BE USED WITHOUT WRITTEN PERMISSION		
	DIMENSION UNITS	SCALE	CURRENT REV DESC: ITEM #6 WAS MYLAR. ADDED CSA, CABLE DIA & TOL CHART. MODIFIED PN CHART & FACE VIEW
DIVISIONAL SYMBOLS	INCH/MM	NTS	EC NO: 671333 DRWN: ABENJAMINLW 2021/04/23 CHK'D: RSTONE 2021/07/23 APPR: BWOODMAN 2021/07/28
	GENERAL TOLERANCES (UNLESS SPECIFIED)		
	mm	INCH	INITIAL REVISION: DRWN: GGUSTAFS 2013/12/04 APPR: BWOODMAN 2013/12/12
	4 PLACES ±----	±----	
	3 PLACES ±----	±----	THIRD ANGLE PROJECTION
	2 PLACES ±----	±----	
	1 PLACE ±----	±----	DRAWING SERIES
	0 PLACES ±----	±----	
	ANGULAR TOL ± ---- °		MATERIAL NUMBER CUSTOMER SHEET NUMBER
	DRAFT WHERE APPLICABLE MUST REMAIN WITHIN DIMENSIONS		
	C-SIZE 120065		SD-120065-071 PSD 001 B
	SEE CHART GENERAL MARKET		1 OF 1