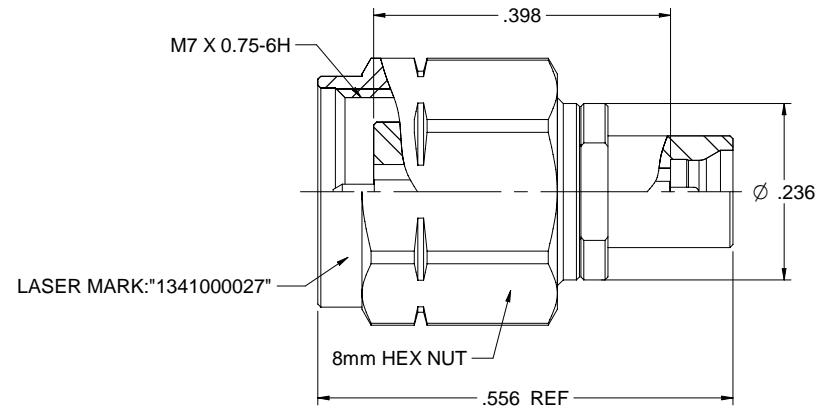


MODEL NO.	PACKAGING
134-1000-027	ONE PCS PER BAG

REV	ECO	DATE
001	ECO-17-0028	12/18/2017
002	ECO-18-0020	08/21/2018



NOTES: UNLESS OTHERWISE SPECIFIED

1. MATERIAL & FINISH:

- 1.1 BODY, CONTACT BODY & SHELL: PASSIVATED STAINLESS STEEL
- 1.2 CONTACT PIN: GOLD PLATED BERYLLIUM COPPER
- 1.3 INSULATOR: ULTEM 1000 AMBER
- 1.4 C RING: BERYLLIUM COPPER
- 1.5 GASKET: SILICONE RED

2. ELECTRICAL:

- 2.1 IMPEDANCE: 50 OHMS
- 2.2 FREQUENCY RANGE: DC-67 GHz
- 2.3 VOLTAGE STANDING WAVE RATIO: 1.25 MAX
- 2.4 CONTACT RESISTANCE: CENTER CONTACT: 6 MILLIOHMS MAX
OUTER CONTACT: 2.5 MILLIOHMS MAX
- 2.5 DIELECTRIC WITHSTANDING VOLTAGE: 325VRMS MIN
- 2.6 INSULATION RESISTANCE: 5000 MOHM MIN

3. MECHANICAL:

- 3.1 ENGAGEMENT FORCE: 0.23 NM MAX (1.85MM)
FULL DETENT: 19 N MAX, SMOOTH BORE: 11 N MAX (SMPM)
- 3.2 DISENGAGEMENT FORCE: 0.23 NM MAX (1.85MM)
FULL DETENT: 29 N MAX, SMOOTH BORE: 11N MAX (SMPM)
- 3.3 COUPLING PROOF TORQUE: 1.65 NM MIN
- 3.4 COUPLING NUT RETENTION: 267 N MIN
- 3.5 CONTACT RETENTION: 20 N MIN
- 3.6 DURABILITY: 500 CYCLES MIN

4. ENVIRONMENT:

- 4.1 THERMAL SHOCK: MIL-STD-202, METHOD 107, CONDITION B.
- 4.2 OPERATING TEMPERATURE: -65 TO 165°C
- 4.3 SHOCK: MIL-STD-202, METHOD 213, CONDITION I
- 4.4 VIBRATION: MIL-STD-202, METHOD 204, CONDITION D
- 4.5 MOISTURE RESISTANCE: MIL-STD-202, METHOD 106

	Model No. 134-1000-027	Johnson	
	RoHS2 2011/65/EU		Title: ADAPTER ASSEMBLY: 1.85mm PLUG TO SMPM PLUG (FULL DENTED)
	Drawn By: Betty Yu	Drawing No. 134-1000-027	Rev. 002
DATE: 08/21/2018	SIZE: C	DO NOT SCALE DRAWINGS	NONE