

**PLEASE CHECK WWW.MOLEX.COM FOR LATEST PART INFORMATION**

**Part Number:** **0190190005**  
**Status:** **Active**  
**Overview:** Standard Quick-Disconnect Terminals  
**Description:** Avikrimp Quick Disconnect, Female, for 18-22 (0.80-0.35mm<sup>2</sup>) Wire, Mylar Tape, Tab 2.79 x 0.81mm

**Documents:**

<a href="#">3D Model</a>	<a href="#">Product Specification PS-19902-014-001 (PDF)</a>
<a href="#">3D Model (PDF)</a>	<a href="#">Product Specification PS-19902-015-001 (PDF)</a>
<a href="#">Drawing (PDF)</a>	<a href="#">RoHS Certificate of Compliance (PDF)</a>
<a href="#">Product Specification PS-19902-011-001 (PDF)</a>	

**Agency Certification**

CSA	LR18689
UL	E79133

**General**

Product Family	Quick Disconnects
Series	<u>19019</u>
Crimp Quality Equipment	Yes
Insulated	Partial
Overview	<u>Standard Quick-Disconnect Terminals</u>
Product Name	Avikrimp
Type	Quick Disconnect
UPC	800753037816

**Physical**

Barrel Type	Closed
Color - Resin	Red
Flammability	94V-2
Gender	Female
Glow-Wire Capable	No
Insulation	Nylon (PA)
Lock to Mating Part	None
Material - Metal	Brass
Material - Plating Mating	Tin
Material - Plating Termination	Tin
Net Weight	0.546/g
Orientation	Straight
Packaging Type	Adhesive Tape on Reel
Plating min - Mating	4.064µm
Plating min - Termination	4.064µm
Polarized to Mating Part	No
Tab Thickness	0.81mm
Tab Width	2.79mm
Temperature Range - Operating	-65° to +105°C
Termination Interface: Style	Crimp or Compression
Wire Insulation Diameter	2.90mm max.
Wire Size AWG	18, 20, 22

**Electrical**

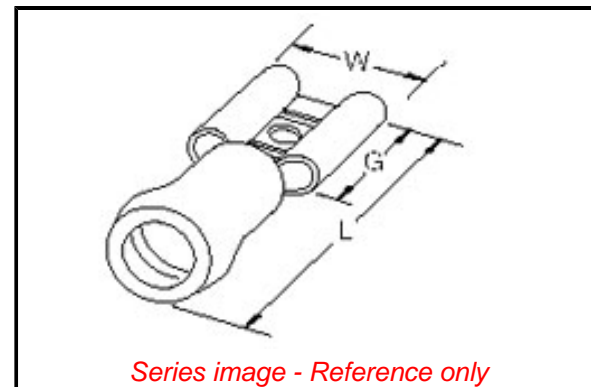
Voltage - Maximum	300V
-------------------	------

**Solder Process Data**

Lead-free Process Capability	N/A
------------------------------	-----

**Material Info**

Engineering Number	AA-8134T
--------------------	----------



**EU ELV**

**Not Relevant**

**EU RoHS**

**Compliant**

**REACH SVHC**

Not Contained Per -  
D(2021)4569-DC (8  
July 2021)

**Halogen-Free**

**Status**

**Low-Halogen**

For more information, please visit [Contact US](#)

China ROHS

ELV

RoHS Phthalates

**China RoHS**

Green Image

Not Relevant

Not Contained

**Search Parts in this Series**

[19019 Series](#)

**Application Tooling | FAQ**

*Tooling specifications and manuals are found by selecting the products below. Crimp Height Specifications are then contained in the Application Tooling Specification document.*

**Global**

Description	Product #
ATP Crimp Dies for the Tape Crimp Module and ATP-101 & 301 Press	<a href="#">192880048</a>
Mini-Mac Applicator	<a href="#">638850800</a>

**Reference - Drawing Numbers**

Product Specification

Sales Drawing

PS-19902-011-001, PS-19902-014-001,

PS-19902-015-001

SD-19019-001-001

This document was generated on 10/22/2021

**PLEASE CHECK [WWW.MOLEX.COM](http://WWW.MOLEX.COM) FOR LATEST PART INFORMATION**