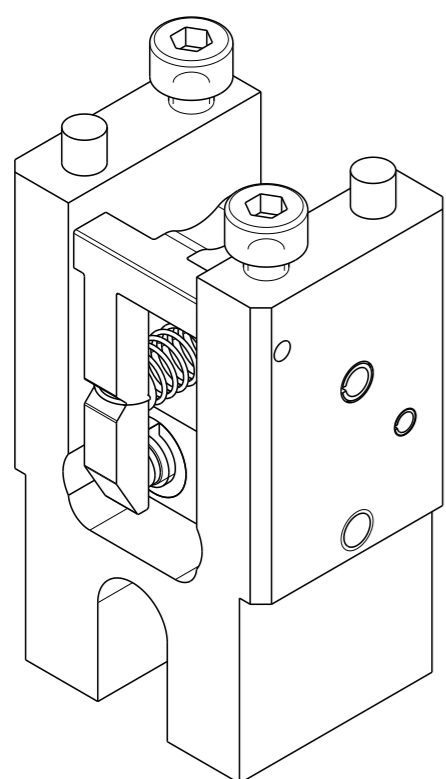
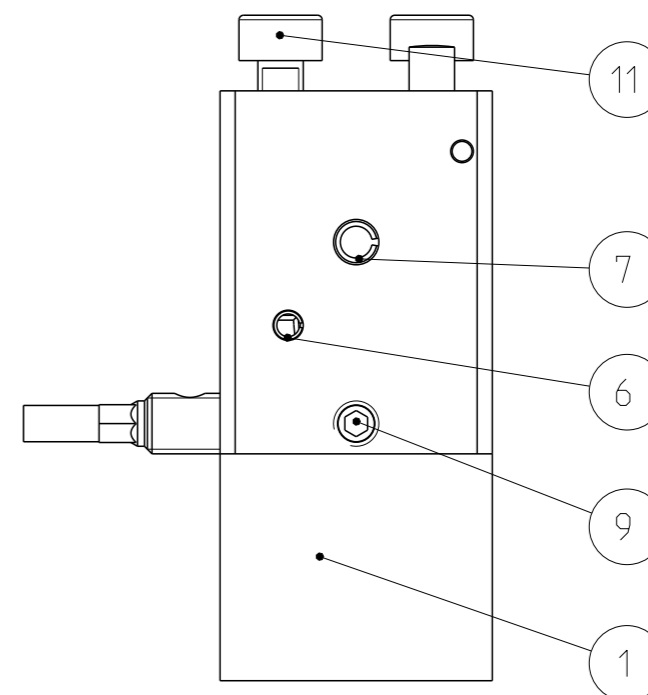
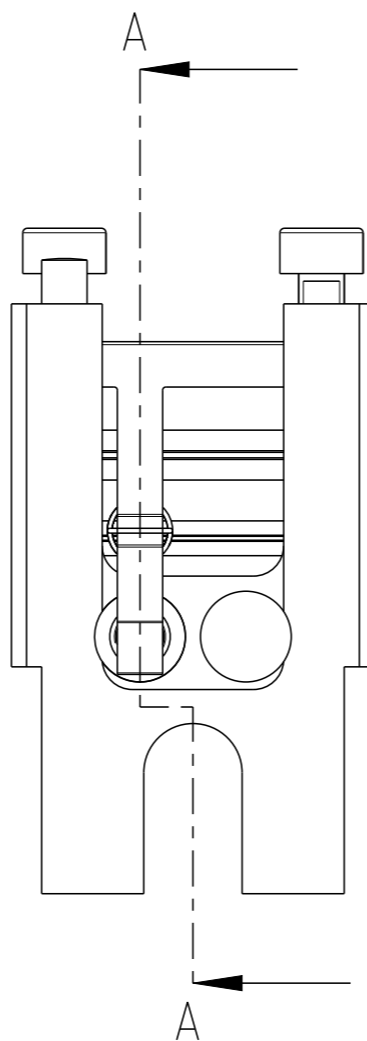
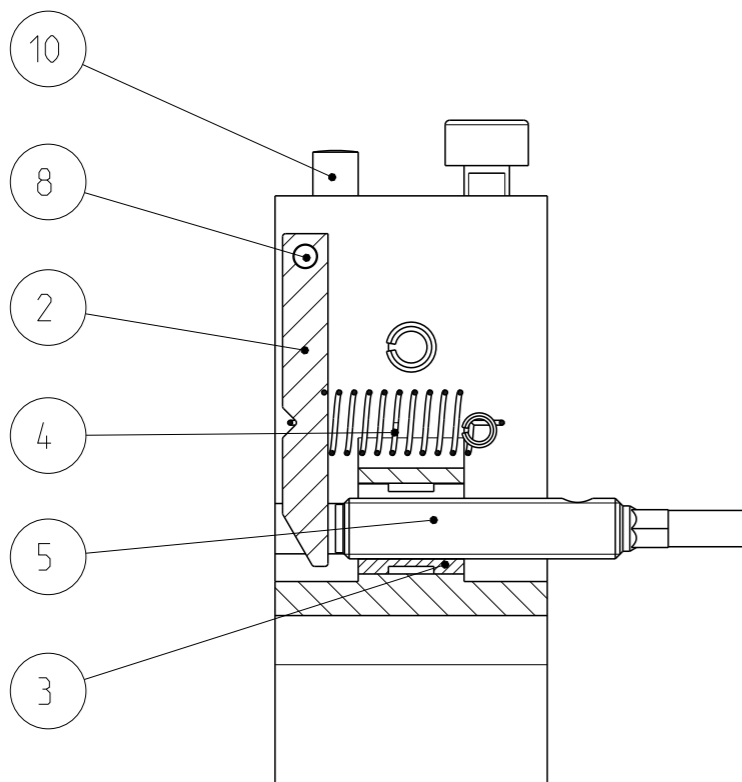



REVISIONS

| P | LTR | DESCRIPTION     | DATE      | DWN | APVD |
|---|-----|-----------------|-----------|-----|------|
|   | C   | INITIAL RELEASE | 30OCT2015 | MB  | -    |
|   | D   | ECR-16-006730   | 10MAY2016 | MB  | KL   |
|   |     |                 |           |     |      |
|   |     |                 |           |     |      |

A-A



| POS | QTY | TE/PN               | PART REV | DESCRIPTION                                      | WEAR | SPARE |
|-----|-----|---------------------|----------|--|------|-------|
| 1   | 1   | 7-539949-2          | B        | AMBOSSUNTERTEIL anvil-lower part                 | -    | -     |
| 2   | 1   | 510853-4            | D        | WIPPE ROCKER                                     | -    | -     |
| 3   | 1   | 7-539949-3          | B1       | KLEMMHUELSE clamp sleeve                         | -    | -     |
| 4   | 1   | 5-653860-5          | A        | ZUGFEDER Z-016 TENSION SPRING                    | -    | YES   |
| 5   | 1   | 2256719-1           | A        | SENSOR -   | -    | YES   |
| 6   | 1   | 2-519056-7          | A        | Spannstift 2x24 DIN 1481 2*24 DIN 1481           | -    | YES   |
| 7   | 1   | 5-519056-7          | A        | Spannstift 3x24 DIN 1481 3*24 DIN 1481           | -    | YES   |
| 8   | 1   | 8-519052-2_GATD_DKB | A        | Zyl.-Stift 1.5m6x20 DIN 6325 PIN 5m6x16 DIN 6325 | -    | -     |
| 9   | 1   | 1-519011-9          | B        | SCREW M3x4 DIN 913 -                             | -    | YES   |
| 10  | 2   | 3-508368-7          | A        | ZYLINDERSTIFT DIN 6325 3x8 PIN DIN 6325 3x8      | -    | YES   |
| 11  | 2   | 1-519000-1_GATD_DKB | A2       | Zylinderschr. M3x6 DIN 912 SCREW DIN EN ISO 4762 | -    | YES   |

|   |  |                       |           |   |                 |
|---|--|-----------------------|-----------|---|-----------------|
| THIS DRAWING IS A CONTROLLED DOCUMENT.                          |  | DWN<br>G.BILECKI      | 12NOV2004 |  TE Connectivity |                 |
| DIMENSIONS:<br>mm   |  | CHK<br>-              | APVD<br>- |   |                 |
| TOLERANCES UNLESS OTHERWISE SPECIFIED:                          |  | PRODUCT SPEC<br>-     |           | RESTRICTED TO   |                 |
| 0 PLC ±<br>1 PLC ±<br>2 PLC ±<br>3 PLC ±<br>4 PLC ±<br>ANGLES ± |  | APPLICATION SPEC<br>- |           | SIZE<br>A3  | CAGE CODE<br>-  |
| MATERIAL<br>-   |  | WEIGHT<br>120g        |           | DRAWING NO<br>C=7-539949-4  |                 |
| FINISH<br>-   |  | Customer Drawing      |           | SCALE<br>2:1  | SHEET<br>1 OF 1 |
|   |  |                       |           | REV<br>D  |                 |