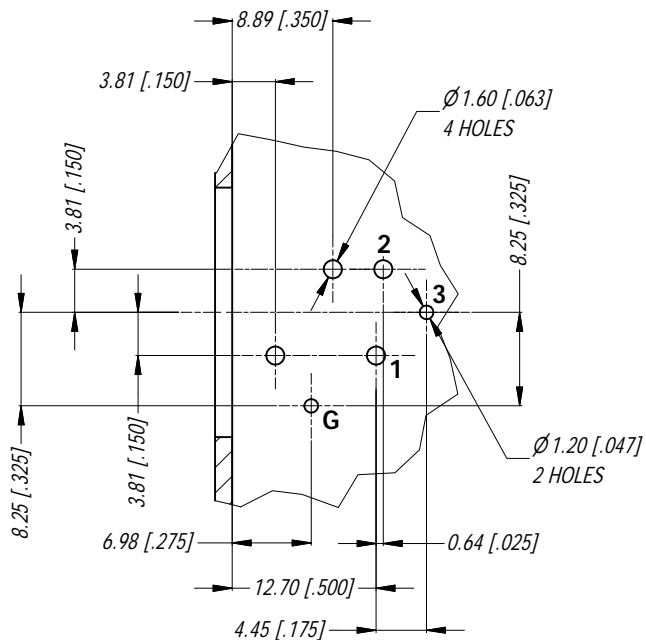


MIN MOUNTING PITCH (1:1)

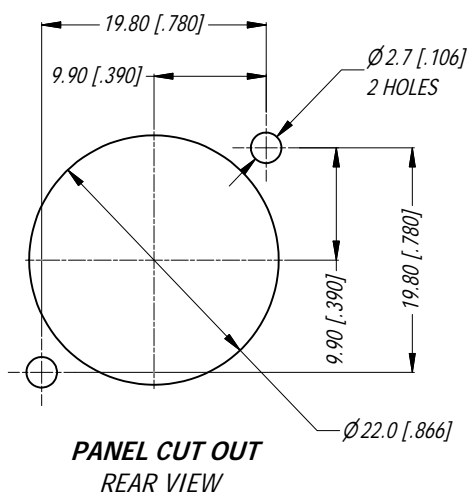


**PCB LAYOUT**

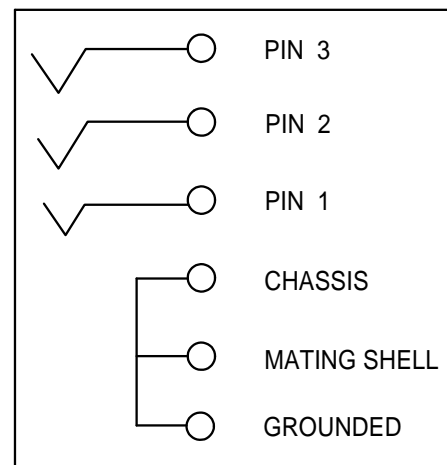
LAYOUT TOLERANCE : ± 0.05 [0.002 in]

NOTE: DIMENSIONS IN PARENTHESES ARE IN INCHES.

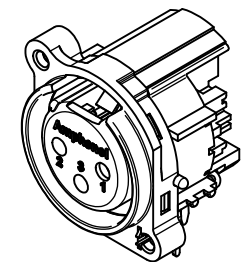
NOTE: SUFFIX "B" IN THE PART No. INDICATES BULK PACK.



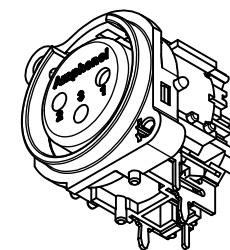
PANEL CUT OUT  
REAR VIEW



SCHEMATIC CHART



3D VIEW (1:1)



UNLESS OTHERWISE SPECIFIED TOLERANCE TO BE:		THIS DOCUMENT IS THE PROPERTY OF AMPHENOL AUSTRALIA PTY. LTD. NO PART THEREOF MAY BE REPRODUCED AND USED WITHOUT THE PRIOR WRITTEN CONSENT OF THE OWNER			
LINEAR	ANGULAR	CAD FILE: 55010491000221	DRN: T.N	DATE: 17/04/07	
X ±	X' ± 1	MATL: REFER TO COMPONENTS	CKD: P.M	DATE: 07/04/09	
X.X ±	X.X' ± 30°	DO NOT SCALE	FINISH: REFER TO COMPONENTS	APP'D: P.M	DATE: 07/04/09
X.XX ±	X.X.X' ± 15°	DIMENSIONS IN MILLIMETRES		THIRD ANGLE PROJECTION	SCALE: 3:2

REV	DESCRIPTION	DATE	BY	CHG NO
2	ADD SUFFIX B TO PART No.	27/08/15	T.N	9318
1	UPDATE FEMALE SHELL	2/4/2009	A.O	8793
0	FIRST ISSUE	18/09/07	T.N	8686

REVISION HISTORY

TITLE:		<b>Amphenol</b>	
<b>XLR FEMALE B TYPE CONNECTOR</b>		Amphenol Australia Pty.Ltd. 2 Fiveways Blvd. Keysborough, Vic3173	
<b>CUSTOMER DWG</b>		DRAWING NO.	SHEET
PART No: AC3FBHL2-AU-B		55010491-000-2	2/2
SIZE: A4			