



1550 MHz Ceramic Band Pass Filter

Part Number: AE1550CB1781

ANATECH ELECTRONICS INC
RF & Microwave Filters & Products



Electrical Specifications

Center Frequency: 1550 MHz
Bandwidth: ± 98 MHz
Insertion Loss @ 1550 MHz: 2.0 dB Max.
Return Loss in PB : 10 dB Min.
Ripple in PB: 1.0 dB Max.
Rejection1: 20 dB Min. @ 1300 MHz
Rejection2: 40 dB Min. @ 2000 MHz
Impedance: 50 Ohms
Power Handling: 1 W

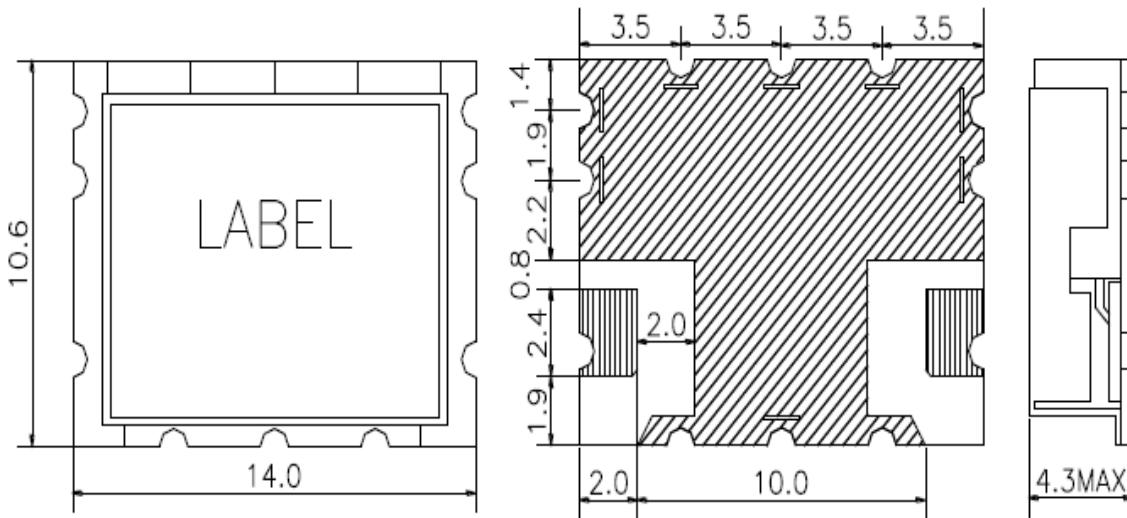
Mechanical

Connector Type: SMT
Dimensions: 14 x 10.6 x 4.3 mm.

Environmental

Operating Temperature: -40°C to +85°C
Storage Temperature: -50°C to +95°C
Shock: 10 G. 11ms
Vibration: 10 G. 5 to 200Hz

Outline Drawing:



Tolerance: +/-0.01 inches [+/- 0.3mm]

Angles: +/- 1 Deg.

*Tolerance as shown unless otherwise specified in the datasheet electrical specification tables above.

*When max dimensions are called out the above tolerances do not apply as long as it is under the max call out.