



**ANATECH ELECTRONICS INC**  
RF & Microwave Filters & Products

## 20 MHz LC Bandpass Filter

**Part Number: AE20B9600**



### Electrical specifications

**Center Frequency(CF):** 20 MHz

**Bandwidth:** 2 MHz

**Passband:** 19-21 MHz

**Insertion Loss1:** 2 dB Max @ CF

**Insertion Loss2:** 3dB ± 0.5dB Max @ 18 MHz

**Insertion Loss3:** 3dB ± 0.5dB Max @ 22 MHz

**Return Loss:** 15 dB Min

**Rejection1:** 50 ± 2dB Min @ 15 MHz

**Rejection2:** 50 ± 2dB Min @ 26.4 MHz

### Mechanical

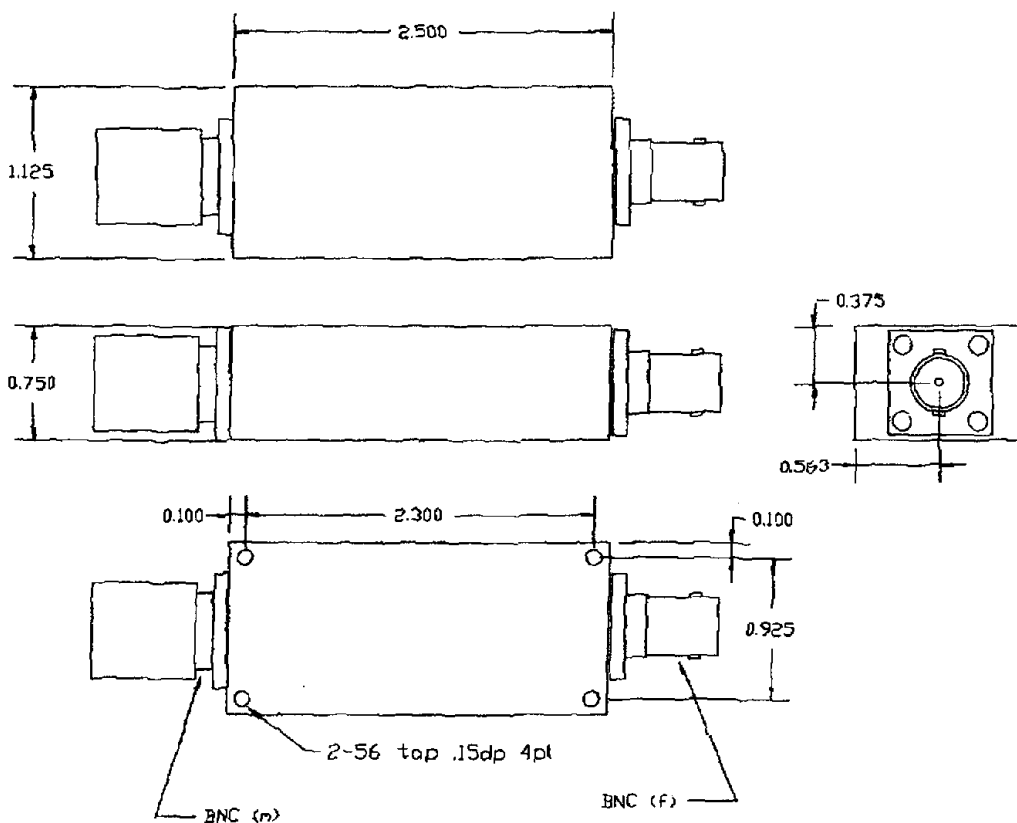
**Dimensions:** 0.984 x 0.4 x 0.39 inches

**Connector Type:** BNC (Male/Female)

### Environmental

**Operating Temperature:** -40 to +70° C

### Outline Drawing:



DWG 988721 a.js 05/07/07  
Outline Drawing  
Anatech Electronics Inc.  
(988731)

Tolerance: +/-0.01 inches [+/- 0.3mm]

Angles: +/- 1 Deg.

\*Tolerance as shown unless otherwise specified in the datasheet electrical specification tables above.

\*When max dimensions are called out the above tolerances do not apply as long as it is under the max call out.

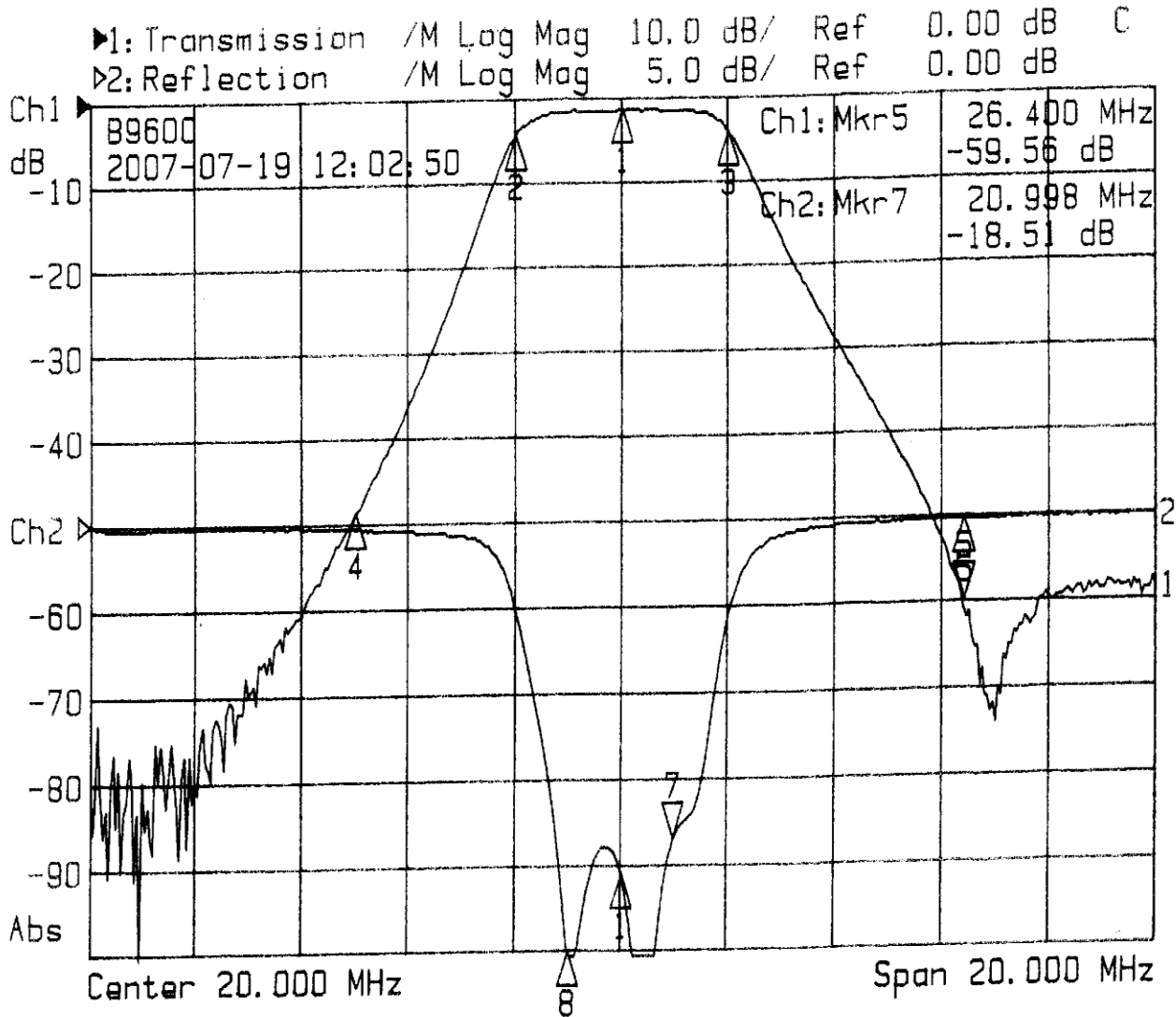


# 20 MHz LC Bandpass Filter

Part Number: AE20B9600



## Response Plot:



| 1: Mkr (MHz) | dB     | 2: Mkr (MHz) | dB     |
|--------------|--------|--------------|--------|
| 1: 20.00     | -1.34  | 1: 20.00     | -20.54 |
| 2: 18.00     | -4.41  |              |        |
| 3: 22.00     | -4.09  |              |        |
| 4: 15.00     | -48.71 |              |        |
| 5> 26.40     | -59.56 | 5: 26.40     | -0.16  |
|              |        | 7> 21.00     | -18.51 |
|              |        | 8: 19.00     | -25.00 |