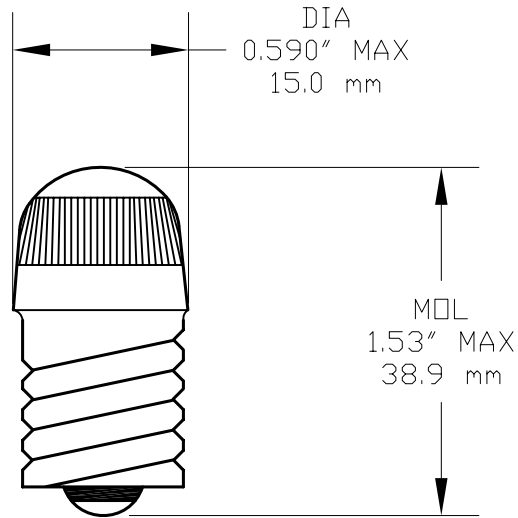


PART NO.	BASE TYPE	CIRCUIT VOLTS	DESIGN CURRENT	SERIES RESISTOR (OHMS)	AVG LIFE
B7A T4-1/2	Candelabra Screw	105/125	2.0 mA	* 30K	7500



\* Resistor not included.

UNLESS OTHERWISE SPECIFIED: DIMENSIONS ARE IN INCHES TOLERANCES		CEC INDUSTRIES LTD			
DECIMALS .XX ± .05 .XXX ± .010 FRACTIONAL ± 1/64		599 BOND STREET		LINCOLNSHIRE, IL 60069	
ANGULAR ± 0.5°		TITLE NEON GLOW LAMP NO. B7A PLASTIC			
DRAWN D.C.	DATE 1/04/2005	SIZE A	FSCM NO.	DWG NO. B7A	REV 1
CHECKED		SCALE	PLOT SCALE	SHEET 1 OF 1	
DESIGN		FILE B7A -PLASTIC.dwg		DO NOT SCALE DRAWING	