

THIS DRAWING IS UNPUBLISHED. RELEASED FOR PUBLICATION  
 © COPYRIGHT - TE Connectivity ALL RIGHTS RESERVED.

**SPECIFICATIONS:**

REVISIONS				
P	LTR	DESCRIPTION	DATE	APVD
B1		REVISED PER ECO-17-002272	20JUN2017	SK AS

**MATERIALS:**  
 FRAME: STEEL  
 ACTUATOR: ACETAL  
 INSULATOR: PHENOL, BLUE  
 TERMINAL: COPPER ALLOY, SILVER PLATE  
 SPRING PLATE: COPPER ALLOY  
 COIL SPRING: PIANO WIRE  
 CAM STICK: COPPER ALLOY  
 CLIP: COPPER ALLOY, SILVER CLAD  
 SPRING STOPPER: STEEL  
 CAP: MATERIAL SPECIFICATION PER DRAWING # 11882

**ELECTRICAL:**  
 CONTACT RATING: 1 AMP @ 25 VDC (RESISTIVE LOAD)  
 INITIAL CONTACT RESISTANCE: 100 MILLIOHMS  
 CONTACT RESISTANCE: 300 MILLIOHMS MAX.  
 INSULATION RESISTANCE: 100 MEGOHMS MINIMUM @ 500 VDC  
 DIELECTRIC STRENGTH: 500 VAC FOR 1 MINUTE  
 CONTACT TIMING: NON SHORTING.

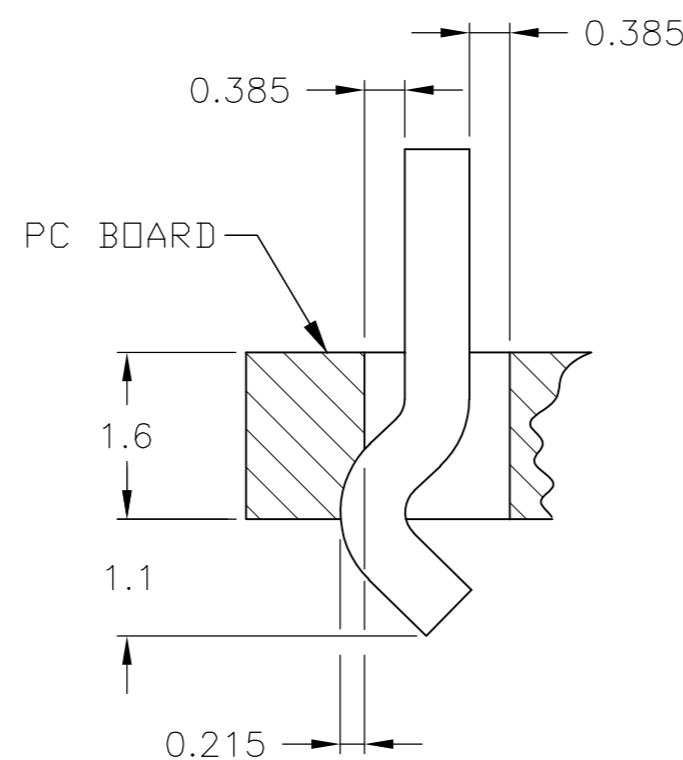
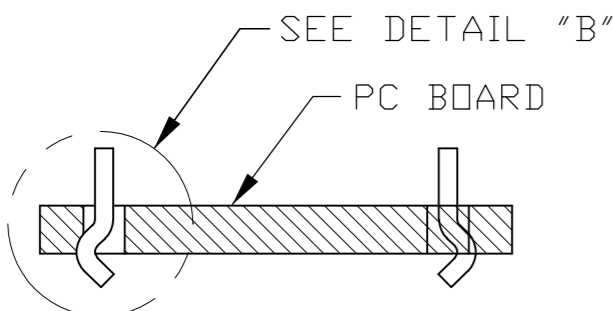
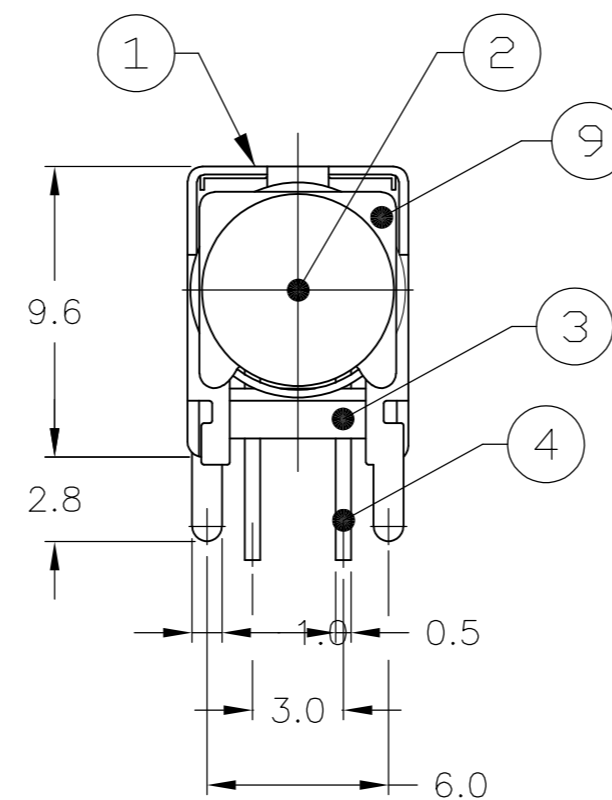
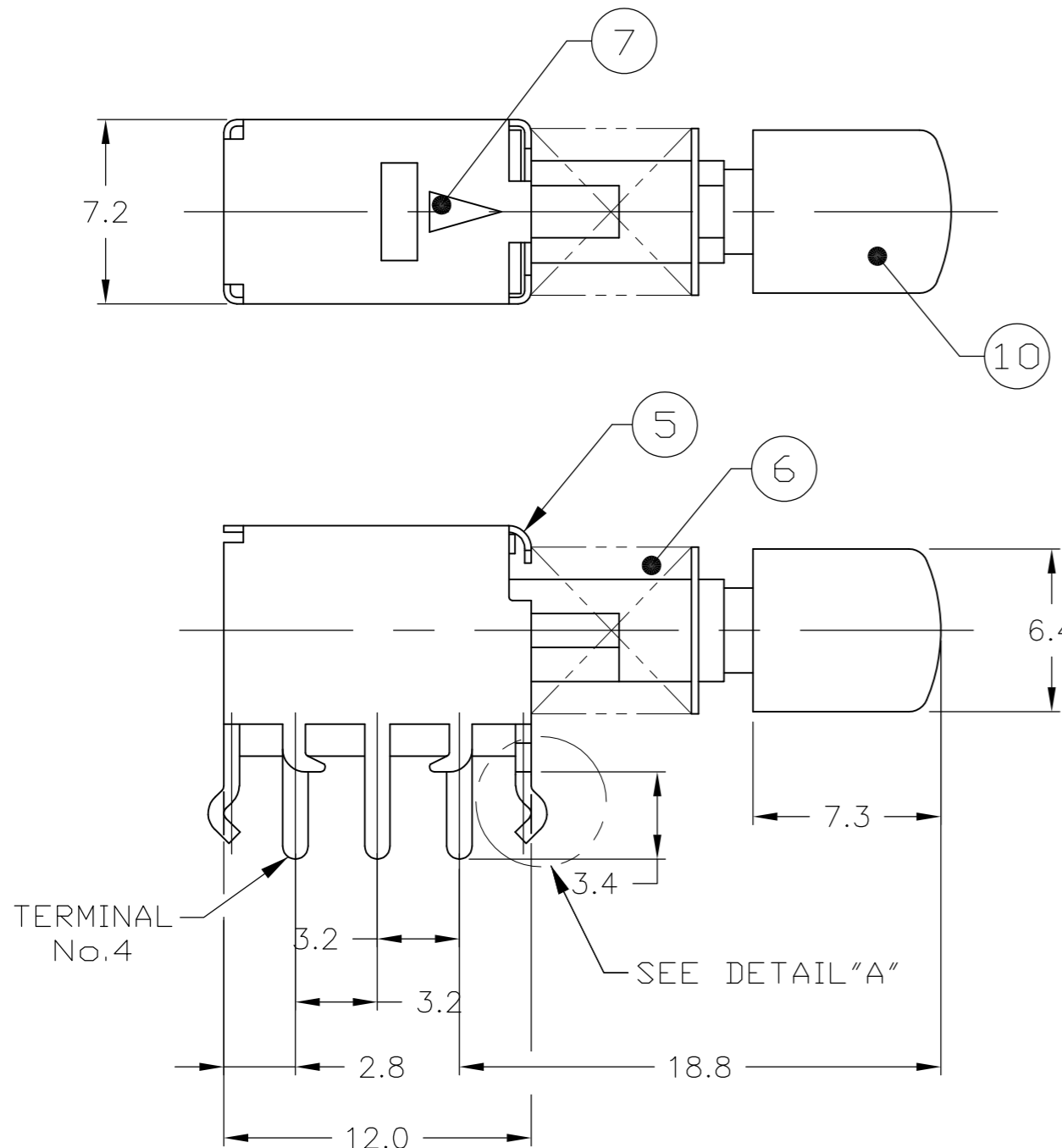
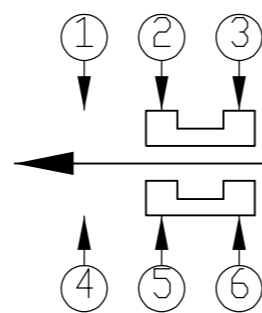
**MECHANICAL:**  
 OPERATING FORCE: 300 ±150 GRAMS  
 ACTUATOR TRAVEL: 2.3 MM (.091")  
 LIFE EXPECTANCY: 10,000 CYCLES

**ENVIRONMENTAL:**  
 OPERATING TEMPERATURE: -30°C TO +85°C (-22°F TO +185°F).

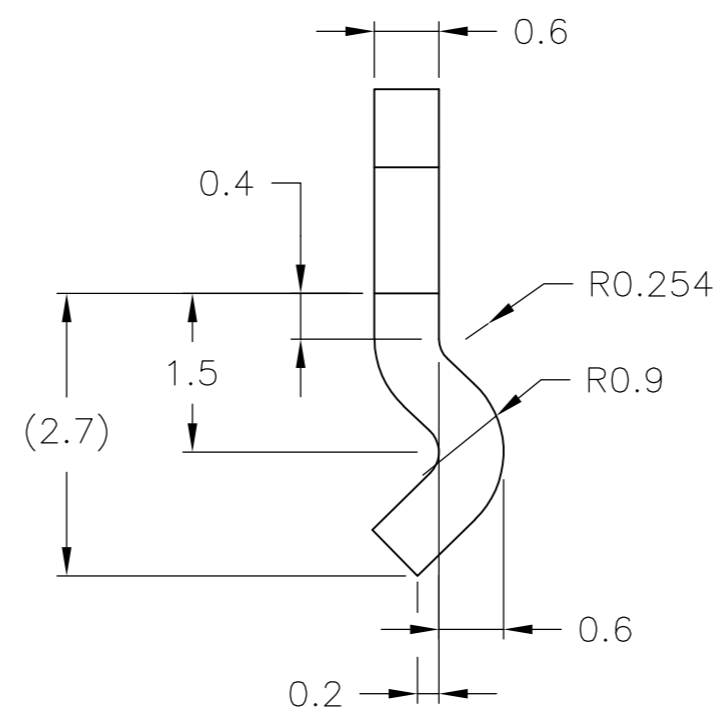
**NOTES: UNLESS OTHERWISE SPECIFIED**

1. INTERPRET DRAWING PER ASME Y14.5M 1994.
2. SEE AIDSHEET 91439F-1 FOR CAP PRESS FIT DETAILS.
3. BAR CODE LABELING: REFER TO AUGAT SPEC.304-09 & 304-10 FOR BAR CODE LABEL REQUIREMENTS.
4. PACKAGING: PLACE 4 BAGS OF 500 SWITCHES EACH IN ONE OUTER BOX. PLACE A CORRUGATED CARDBOARD SHEET IN BETWEEN EACH BAG AND ON TOP AND BOTTOM OF OUTER BOX BEFORE SEALING.
5. CAP SUPPLIED BY THOMAS & BETTS.

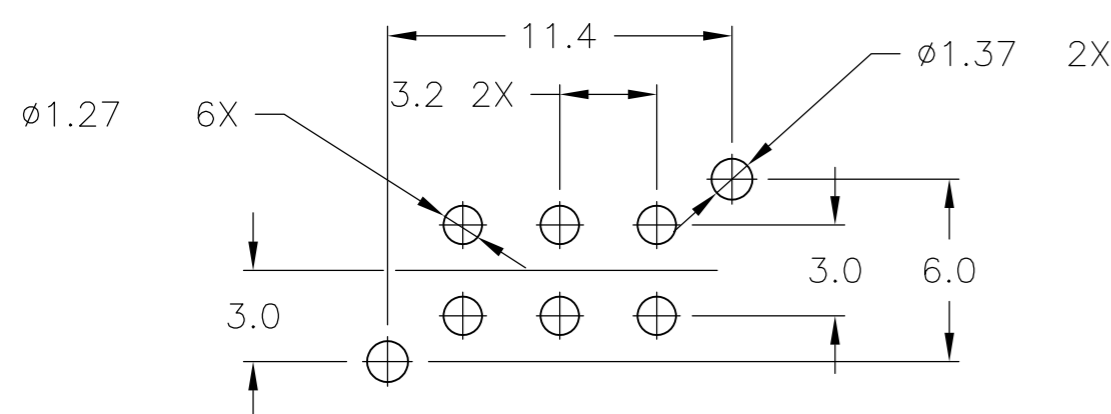
**CIRCUIT DIAGRAM**



**DETAIL B**  
SCALE 14:1



**DETAIL A**  
SCALE 14:1  
TOLERANCE: ±0,08



**P.C.B. LAYOUT**  
TOLERANCES ±0,05

CAP PART NO.	BUTTON COLOR	CUSTOMER PART NO.	AUGAT PART NO.
USR0	BLACK	1.021.163	JLS91439FKBC
USR9	GRAY	1.021.081	JLS91439FK
USR1	WHITE	1.036.0048-00	JLS91439FWC

OBSLOETE

QTY.	DESCRIPTION	ITEM NO.
10	CAP	10
9	SPRING STOPPER	9
8	CLIP (NOT SHOWN)	8
7	CAM STICK	7
6	COIL SPRING	6
5	SPRING PLATE	5
4	TERMINAL	4
3	INSULATOR	3
2	ACTUATOR	2
1	FRAME	1

THIS DRAWING IS A CONTROLLED DOCUMENT.		DWN M.BINNER 18JAN2006		
DIMENSIONS: mm		CHK M.ZITTO 18JAN06		
TOLERANCES UNLESS OTHERWISE SPECIFIED:		APVD M.ZITTO 18JAN06	NAME PUSH SWITCH, JLS SERIES	
0 PLC ± -		PRODUCT SPEC	SIZE A2	
1 PLC ± -		APPLICATION SPEC	CAGE CODE 00779	
2 PLC ± 0.25			DRAWING NO C=1437566-7	
3 PLC ± -			RESTRICTED TO	
4 PLC ± -			SCALE 1:1	
ANGLES ± .5°			SHEET 1 OF 1	
FINISH		WEIGHT 0.000000	REV B1	
MATERIAL		CUSTOMER DRAWING		