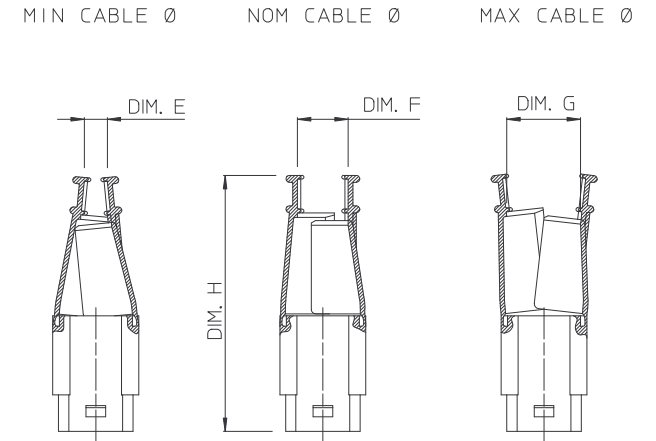
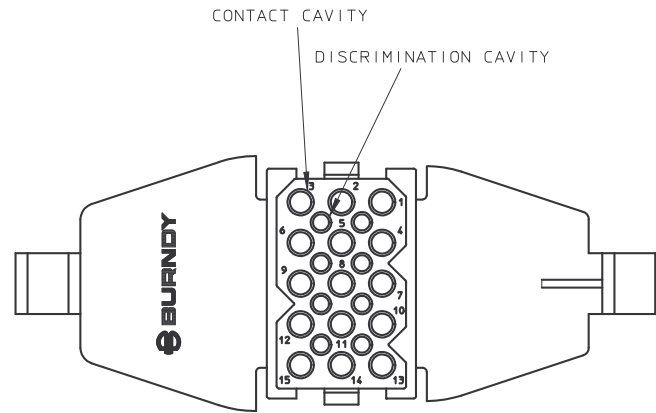
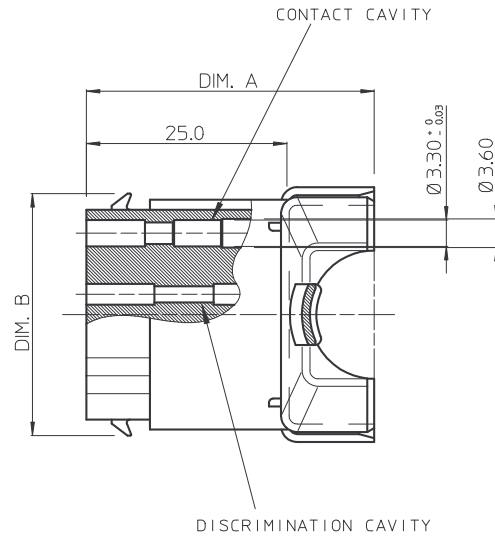


GEN. ST.	01	02	03	04	05	06	07	08	0D	50	60	70	80	90	REV.	DATE	DESCRIPTION	BY	C'K'D'																	
INT. ST.	10	11	12	13	14	18	20	31	32	33	34	38	39	40	42	43	44	45	46	48	56	70	72	73	75	76	81	82	83	84	88	00	24.10.05	CREATION	R Ch	



MATERIAL

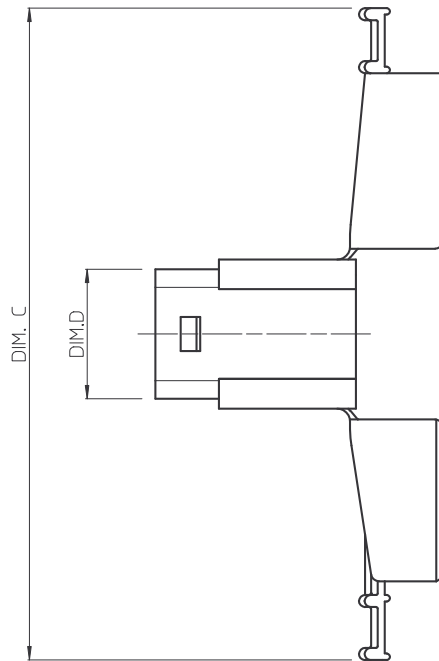
POLYAMIDE PA 6 / UL94-V0 / COLOUR: GREY
 13F2 in accordance with NF F 16101
 and NF F 16102 standard

PERFORMANCE CHARACTERISTICS

OPERATING TEMPERATURE: -40°C TO 105°C
 INSULATION RESISTANCE: 5000 M Ohm MIN.
 TEST POTENTIAL : 2000 VAC
 DURABILITY : 500 CYCLES

NOTES

- CONNECTOR ACCEPTS TRIM TRIO FORMED, MACHINED AND SUBMINIATURE COAXIAL PIN AND SOCKET CONTACTS.
CONTACTS TO BE ORDERED SEPARATELY: REFER TO TRIM TRIO CATALOG.
- RAISED CONTACT MARKING ON BOTH: MATING AND WIRING FACE.
- FOR LOCKING OF STRAIN RELIEF HOOD, USE UNIRAP CABLE TIE (SEE TABLE BELOW).
- DISCRIMINATION WITH PINS IS GUARANTEED WITHOUT LOSS OF CONTACT POSITIONS.
IF DISCRIMINATION PINS ARE NEEDED: ORDER SMSPK3 PER BS.C ,201424.003
- FOR THE CONFIGURATION OF ALL SIZES SEE DRAWING : BS.C ,201424.010. SAME AS SMS--RDH1
- FOR INTERMATEABILITY WITH OTHER PARTS SEE DRAWING : BS.C ,201424.011. SAME AS SMS--RDH1



CATALOG NUMBER	QUANTITY OF CONTACT CAVITIES	QUANTITY OF DISCRIMINATION CAVITIES	DIMENSIONS IN MM								RECOMMENDED UNIRAP CABLE TIE
			A	B	C	D	E (Ø)	F (Ø)	G (Ø)	H	
SMS2RDH3	2	0	31.6	9.9	64.8	11.1	0.5	7.4	8.4	49.2	TF-4BKD
SMS3RDH3	3	0	35.1	9.9	69.0	16.2	0.8	4.1	7.3	49.1	TF-4BKD
SMS4RDH3	4	0	38.2	9.9	74.4	21.2	1.5	5.4	10.0	49.2	TF-4BKD
SMS6RDH3	6	2	34.6	15.0	72.6	16.2	1.7	6.8	9.2	50.9	TF-4BKD
SMS9RDH3	9	4	35.8	20.0	75.3	16.2	3.9	9.3	14.3	52.2	TF-5BKD
SMS12RDH3	12	6	38.1	25.1	72.0	16.2	4.0	10.0	15.0	52.7	TF-5BKD
SMS15RDH3	15	8	35.9	30.2	81.3	16.2	5.0	11.0	16.2	55.2	TF-5BKD
SMS18RDH3	18	10	36.1	35.3	81.3	16.2	5.8	12.5	20.3	55.2	TF-5BKD
SMS24RDH3	24	15	39.7	35.3	90.4	21.2	7.1	12.4	20.4	57.2	TF-5BKD
SMS36RDH3	36	24	54.6	25.1	128.0	46.6	8.8	13.0	24.5	63.3	TF-5BKD

1DEC ±0.2 2DEC ±0.1 ANGLES ±1°	1DEC 2DEC HOEKEN	APPR.	DATE	SIGN.	QIKMATE REC. WITH MOULDED-ON HOOD AND DISC. CAV.
WE RESERVE THE RIGHT TO CHANGE DIMENSIONS OR REQUIREMENTS WITHOUT PRIOR NOTICE.		DRAFT	24-10-05	ROUILLARDE Ch	CAT. No. SMS--RDH3
ALL DIMENSIONS IN MM		CHECKED	24-10-05	DECHANTELOUP JM	
ALLE AFMETINGEN IN MM		PR. ENG. MGR.			SOURIAU Route Nationale 23 72470 CHAMPAGNE
		PR. MGT. MGR.			
		REFERENCES / REFERENTIES			NOT EXPORT CONTROLLED
					BS,C ,201424,015,00 DRAWING No. CUSTOMER DRAWING

THIS IS OUR EXCLUSIVE PROPERTY. IT IS NOT TO BE COPIED, REPRINTED OR DISCLOSED TO A THIRD PARTY, NOR USED FOR MANUFACTURING WITHOUT OUR WRITTEN CONSENT, AND HAS TO BE RETURNED TO US IN CASE OF NO USAGE

DIT IS ONZE EIGENDOM EN MAG NOCH NAGEMAAKT, HERDRUKT, OVERGEMAAKT AAN DERDEN, NOCH VOOR FABRIKATIE GEBRUIKT WORDEN, ZONDER ONZE SCHRIFTELIJKE TOELATING. BIJ NIET GEBRUIK IS TERUGGENDING VERPLICHT.