

FOR ADDITIONAL INFORMATION SEE SD-33482-0001

| ABBREVIATION | DESCRIPTION | COLOR | MATERIAL |
|--------------|--------------------------|------------|--------------------------------|
| A-BLACK | HOUSING, KEYING OPTION A | BLACK | SPS/NYLON GF20 |
| B-LIGHT GRAY | HOUSING, KEYING OPTION B | LIGHT GRAY | SPS/NYLON GF20 |
| C-BROWN | HOUSING, KEYING OPTION C | BROWN | SPS/NYLON GF20 |
| D-GREEN | HOUSING, KEYING OPTION D | GREEN | SPS/NYLON GF20 |
| C-DARK GRAY | HOUSING, KEYING OPTION C | DARK GRAY | SPS/NYLON GF20 |
| D-STONE GRAY | HOUSING, KEYING OPTION D | STONE GRAY | SPS/NYLON GF20 |
| A-YELLOW | HOUSING, KEYING OPTION A | YELLOW | SPS/NYLON GF20 |
| GCP | GROMMET CAP (PLUGGED) | BLACK | SPS/NYLON GF20 |
| GCO | GROMMET CAP (OPEN) | BLACK | SPS/NYLON GF20 |
| PLR | PLR | NATURAL | SPS/NYLON GF20 |
| M-R | MAT SEAL | RUST RED | INHERENTLY LUBRICATED SILICONE |
| M-B | MAT SEAL | ROYAL BLUE | INHERENTLY LUBRICATED SILICONE |

| ASSEMBLY DESCRIPTION | ASSEMBLY PART NUMBER | COMPONENT | | | | BLOCKED TERMINALS | | | | STATUS | COMMENT | OPTIONAL ATTACHMENTS SOLD SEPARATELY | | | |
|---------------------------|----------------------|--|-------------|-----|----------|--|---|---|---|----------|---------------|--------------------------------------|------------------------|-----------------------|--------------------------|
| | | THE PRESENCE OF AN ABBREVIATION INDICATES THE PRESENCE OF THAT COMPONENT | | | | CAVITY WITH A NUMBER INDICATES BLOCKED TERMINAL POSITION CAVITY WITHOUT A NUMBER INDICATES OPEN TERMINAL POSITION | | | | | | BACKSHELL WITH RIBS | BACKSHELL WITHOUT RIBS | 90° ADAPTOR WITH RIBS | 90° ADAPTOR WITHOUT RIBS |
| | | HOUSING KEY/COLOR | GROMMET CAP | PLR | MAT SEAL | | | | | | | | | | |
| MX150 ASSY BLD 2X4 BK A/8 | 334820801 | A-BLACK | GCO | PLR | M-R | - | - | - | - | OBSOLETE | SEE 334824801 | 34950-0811 | 34950-0821 | 34951-0831 | 34951-0841 |
| MX150 ASSY BLD 2X4 LG B/8 | 334820802 | B-LIGHT GRAY | GCO | PLR | M-R | - | - | - | - | OBSOLETE | SEE 334824802 | 34950-0811 | 34950-0821 | 34951-0831 | 34951-0841 |
| MX150 ASSY BLD 2X4 BR C/8 | 334820803 | C-BROWN | GCO | PLR | M-R | - | - | - | - | OBSOLETE | SEE 334824852 | 34950-0811 | 34950-0821 | 34951-0831 | 34951-0841 |
| MX150 ASSY BLD 2X4 GR D/8 | 334820804 | D-GREEN | GCO | PLR | M-R | - | - | - | - | OBSOLETE | SEE 334824853 | 34950-0811 | 34950-0821 | 34951-0831 | 34951-0841 |
| MX150 ASSY BLD 2X4 BK A/7 | 334820806 | A-BLACK | GCP | PLR | M-R | - | - | - | 4 | OBSOLETE | SEE 334824806 | 34950-0811 | 34950-0821 | 34951-0831 | 34951-0841 |
| MX150 ASSY BLD 2X4 LG B/7 | 334820807 | B-LIGHT GRAY | GCP | PLR | M-R | - | - | - | 4 | OBSOLETE | SEE 334824807 | 34950-0811 | 34950-0821 | 34951-0831 | 34951-0841 |
| MX150 ASSY BLD 2X4 BR C/7 | 334820808 | C-BROWN | GCP | PLR | M-R | - | - | - | 4 | OBSOLETE | SEE 334824902 | 34950-0811 | 34950-0821 | 34951-0831 | 34951-0841 |
| MX150 ASSY BLD 2X4 GR D/7 | 334820809 | D-GREEN | GCP | PLR | M-R | - | - | - | 4 | OBSOLETE | | 34950-0811 | 34950-0821 | 34951-0831 | 34951-0841 |
| MX150 ASSY BLD 2X4 BK A/6 | 334820811 | A-BLACK | GCP | PLR | M-R | - | - | - | 4 | OBSOLETE | SEE 334824811 | 34950-0811 | 34950-0821 | 34951-0831 | 34951-0841 |
| MX150 ASSY BLD 2X4 LG B/6 | 334820812 | B-LIGHT GRAY | GCP | PLR | M-R | - | - | - | 4 | OBSOLETE | SEE 334824812 | 34950-0811 | 34950-0821 | 34951-0831 | 34951-0841 |
| MX150 ASSY BLD 2X4 BR C/6 | 334820813 | C-BROWN | GCP | PLR | M-R | - | - | - | 4 | OBSOLETE | | 34950-0811 | 34950-0821 | 34951-0831 | 34951-0841 |
| MX150 ASSY BLD 2X4 GR D/6 | 334820814 | D-GREEN | GCP | PLR | M-R | - | - | - | 4 | OBSOLETE | | 34950-0811 | 34950-0821 | 34951-0831 | 34951-0841 |
| MX150 ASSY BLD 2X4 BK A/5 | 334820816 | A-BLACK | GCP | PLR | M-R | 1 | - | - | 4 | OBSOLETE | SEE 334824816 | 34950-0811 | 34950-0821 | 34951-0831 | 34951-0841 |
| MX150 ASSY BLD 2X4 LG B/5 | 334820817 | B-LIGHT GRAY | GCP | PLR | M-R | 1 | - | - | 4 | OBSOLETE | SEE 334824817 | 34950-0811 | 34950-0821 | 34951-0831 | 34951-0841 |
| MX150 ASSY BLD 2X4 BR C/5 | 334820818 | C-BROWN | GCP | PLR | M-R | 1 | - | - | 4 | OBSOLETE | | 34950-0811 | 34950-0821 | 34951-0831 | 34951-0841 |
| MX150 ASSY BLD 2X4 GR D/5 | 334820819 | D-GREEN | GCP | PLR | M-R | 1 | - | - | 4 | OBSOLETE | | 34950-0811 | 34950-0821 | 34951-0831 | 34951-0841 |
| MX150 ASSY BLD 2X4 BK A/4 | 334820821 | A-BLACK | GCP | PLR | M-R | 1 | - | - | 4 | OBSOLETE | SEE 334824821 | 34950-0811 | 34950-0821 | 34951-0831 | 34951-0841 |

| ASSEMBLY DESCRIPTION | ASSEMBLY PART NUMBER | COMPONENT | | | | BLOCKED TERMINALS | | | | STATUS | COMMENT | OPTIONAL ATTACHMENTS SOLD SEPARATELY | | | |
|---------------------------|----------------------|--|-------------|-----|----------|--|---|---|---|----------|---------------|--------------------------------------|------------------------|-----------------------|--------------------------|
| | | THE PRESENCE OF AN ABBREVIATION INDICATES THE PRESENCE OF THAT COMPONENT | | | | CAVITY WITH A NUMBER INDICATES BLOCKED TERMINAL POSITION CAVITY WITHOUT A NUMBER INDICATES OPEN TERMINAL POSITION | | | | | | BACKSHELL WITH RIBS | BACKSHELL WITHOUT RIBS | 90° ADAPTOR WITH RIBS | 90° ADAPTOR WITHOUT RIBS |
| | | HOUSING KEY/COLOR | GROMMET CAP | PLR | MAT SEAL | | | | | | | | | | |
| MX150 ASSY BLD 2X4 LG B/4 | 334820822 | B-LIGHT GRAY | GCP | PLR | M-R | 1 | - | - | 4 | OBSOLETE | SEE 334824822 | 34950-0811 | 34950-0821 | 34951-0831 | 34951-0841 |
| | | | | | | 5 | - | - | 8 | | | | | | |
| MX150 ASSY BLD 2X4 BR C/4 | 334820823 | C-BROWN | GCP | PLR | M-R | 1 | - | - | 4 | OBSOLETE | | 34950-0811 | 34950-0821 | 34951-0831 | 34951-0841 |
| | | | | | | 5 | - | - | 8 | | | | | | |
| MX150 ASSY BLD 2X4 GR D/4 | 334820824 | D-GREEN | GCP | PLR | M-R | 1 | - | - | 4 | OBSOLETE | | 34950-0811 | 34950-0821 | 34951-0831 | 34951-0841 |
| | | | | | | 5 | - | - | 8 | | | | | | |
| MX150 ASSY BLD 2X4 BK A/2 | 334820826 | A-BLACK | GCP | PLR | M-R | 1 | 2 | 3 | - | OBSOLETE | SEE 334824826 | 34950-0811 | 34950-0821 | 34951-0831 | 34951-0841 |
| | | | | | | - | 6 | 7 | 8 | | | | | | |
| MX150 ASSY BLD 2X4 BK A/7 | 334820827 | A-BLACK | GCP | PLR | M-R | - | - | - | - | OBSOLETE | SEE 334824827 | 34950-0811 | 34950-0821 | 34951-0831 | 34951-0841 |
| | | | | | | - | - | - | 8 | | | | | | |
| MX150 ASSY BLD 2X4 BK A/6 | 334820828 | A-BLACK | GCP | PLR | M-R | - | - | 3 | - | OBSOLETE | SEE 334824828 | 34950-0811 | 34950-0821 | 34951-0831 | 34951-0841 |
| | | | | | | 5 | - | - | - | | | | | | |
| MX150 ASSY BLD 2X4 BK A/2 | 334820829 | A-BLACK | GCP | PLR | M-R | - | 2 | 3 | 4 | OBSOLETE | SEE 334824829 | 34950-0811 | 34950-0821 | 34951-0831 | 34951-0841 |
| | | | | | | 5 | 6 | 7 | - | | | | | | |
| MX150 ASSY BLD 2X4 BK A/7 | 334820830 | A-BLACK | GCP | PLR | M-R | - | - | - | - | OBSOLETE | SEE 334824830 | 34950-0811 | 34950-0821 | 34951-0831 | 34951-0841 |
| | | | | | | - | 6 | - | - | | | | | | |
| MX150 ASSY BLD 2X4 BK A/5 | 334820831 | A-BLACK | GCP | PLR | M-R | - | - | 3 | - | OBSOLETE | SEE 334824831 | 34950-0811 | 34950-0821 | 34951-0831 | 34951-0841 |
| | | | | | | 5 | 6 | - | - | | | | | | |
| MX150 ASSY BLD 2X4 BK A/5 | 334820832 | A-BLACK | GCP | PLR | M-R | - | - | - | - | OBSOLETE | SEE 334824832 | 34950-0811 | 34950-0821 | 34951-0831 | 34951-0841 |
| | | | | | | 5 | 6 | - | 8 | | | | | | |
| MX150 ASSY BLD 2X4 BK A/5 | 334820833 | A-BLACK | GCP | PLR | M-R | 1 | - | 3 | - | OBSOLETE | SEE 334824833 | 34950-0811 | 34950-0821 | 34951-0831 | 34951-0841 |
| | | | | | | 5 | - | - | - | | | | | | |
| MX150 ASSY BLD 2X4 BK A/0 | 334820834 | A-BLACK | GCP | PLR | M-R | 1 | 2 | 3 | 4 | OBSOLETE | SEE 334824834 | 34950-0811 | 34950-0821 | 34951-0831 | 34951-0841 |
| | | | | | | 5 | 6 | 7 | 8 | | | | | | |
| MX150 ASSY BLD 2X4 BK A/6 | 334820835 | A-BLACK | GCP | PLR | M-R | - | - | - | - | OBSOLETE | SEE 334824835 | 34950-0811 | 34950-0821 | 34951-0831 | 34951-0841 |
| | | | | | | - | - | 7 | 8 | | | | | | |
| MX150 ASSY BLD 2X4 BK A/3 | 334820836 | A-BLACK | GCP | PLR | M-R | - | 2 | 3 | - | OBSOLETE | SEE 334824836 | 34950-0811 | 34950-0821 | 34951-0831 | 34951-0841 |
| | | | | | | - | 6 | 7 | 8 | | | | | | |
| MX150 ASSY BLD 2X4 BK A/6 | 334820837 | A-BLACK | GCP | PLR | M-R | 1 | - | - | 4 | OBSOLETE | SEE 334824837 | 34950-0811 | 34950-0821 | 34951-0831 | 34951-0841 |
| | | | | | | - | - | - | - | | | | | | |
| MX150 ASSY BLD 2X4 BK A/2 | 334820838 | A-BLACK | GCP | PLR | M-R | - | 2 | 3 | - | OBSOLETE | SEE 334824838 | 34950-0811 | 34950-0821 | 34951-0831 | 34951-0841 |
| | | | | | | 5 | 6 | 7 | 8 | | | | | | |
| MX150 ASSY BLD 2X4 LG B/7 | 334820839 | B-LIGHT GRAY | GCP | PLR | M-R | - | - | - | - | OBSOLETE | SEE 334824839 | 34950-0811 | 34950-0821 | 34951-0831 | 34951-0841 |
| | | | | | | - | - | - | 8 | | | | | | |
| MX150 ASSY BLD 2X4 BK A/3 | 334820840 | A-BLACK | GCP | PLR | M-R | - | 2 | 3 | - | OBSOLETE | SEE 334824840 | 34950-0811 | 34950-0821 | 34951-0831 | 34951-0841 |
| | | | | | | 5 | 6 | - | 8 | | | | | | |
| MX150 ASSY BLD 2X4 BK A/6 | 334820841 | A-BLACK | GCP | PLR | M-R | - | - | - | - | OBSOLETE | SEE 334824841 | 34950-0811 | 34950-0821 | 34951-0831 | 34951-0841 |
| | | | | | | - | 6 | 7 | - | | | | | | |
| MX150 ASSY BLD 2X4 BK A/7 | 334820842 | A-BLACK | GCP | PLR | M-R | - | - | - | - | OBSOLETE | SEE 334824842 | 34950-0811 | 34950-0821 | 34951-0831 | 34951-0841 |
| | | | | | | - | - | 7 | - | | | | | | |
| MX150 ASSY BLD 2X4 BK A/6 | 334820843 | A-BLACK | GCP | PLR | M-R | - | - | - | 4 | OBSOLETE | SEE 334824843 | 34950-0811 | 34950-0821 | 34951-0831 | 34951-0841 |
| | | | | | | - | - | 7 | - | | | | | | |
| MX150 ASSY BLD 2X4 BK A/6 | 334820844 | A-BLACK | GCP | PLR | M-R | - | - | 3 | - | OBSOLETE | SEE 334824844 | 34950-0811 | 34950-0821 | 34951-0831 | 34951-0841 |
| | | | | | | - | 6 | - | - | | | | | | |
| MX150 ASSY BLD 2X4 BK A/3 | 334820845 | A-BLACK | GCP | PLR | M-R | - | 2 | 3 | 4 | OBSOLETE | SEE 334824845 | 34950-0811 | 34950-0821 | 34951-0831 | 34951-0841 |
| | | | | | | 5 | 6 | - | - | | | | | | |
| MX150 ASSY BLD 2X4 BK A/4 | 334820846 | A-BLACK | GCP | PLR | M-R | - | - | - | 4 | OBSOLETE | SEE 334824846 | 34950-0811 | 34950-0821 | 34951-0831 | 34951-0841 |
| | | | | | | 5 | - | 7 | 8 | | | | | | |
| MX150 ASSY BLD 2X4 LG B/0 | 334820847 | B-LIGHT GRAY | GCP | PLR | M-R | 1 | 2 | 3 | 4 | OBSOLETE | SEE 334824847 | 34950-0811 | 34950-0821 | 34951-0831 | 34951-0841 |
| | | | | | | 5 | 6 | 7 | 8 | | | | | | |
| MX150 ASSY BLD 2X4 BK A/6 | 334820848 | A-BLACK | GCP | PLR | M-R | 1 | - | - | - | OBSOLETE | SEE 334824848 | 34950-0811 | 34950-0821 | 34951-0831 | 34951-0841 |
| | | | | | | 5 | - | - | - | | | | | | |
| MX150 ASSY BLD 2X4 LG B/6 | 334820849 | B-LIGHT GRAY | GCP | PLR | M-R | 1 | - | - | - | OBSOLETE | SEE 334824849 | 34950-0811 | 34950-0821 | 34951-0831 | 34951-0841 |
| | | | | | | - | 6 | - | - | | | | | | |

| ASSEMBLY DESCRIPTION | ASSEMBLY PART NUMBER | COMPONENT | | | | BLOCKED TERMINALS | | | | STATUS | COMMENT | OPTIONAL ATTACHMENTS SOLD SEPARATELY | | | |
|---------------------------|----------------------|--|-------------|-----|----------|--|---|---|---|----------|---------------|--------------------------------------|------------------------|-----------------------|--------------------------|
| | | THE PRESENCE OF AN ABBREVIATION INDICATES THE PRESENCE OF THAT COMPONENT | | | | CAVITY WITH A NUMBER INDICATES BLOCKED TERMINAL POSITION CAVITY WITHOUT A NUMBER INDICATES OPEN TERMINAL POSITION | | | | | | BACKSHELL WITH RIBS | BACKSHELL WITHOUT RIBS | 90° ADAPTOR WITH RIBS | 90° ADAPTOR WITHOUT RIBS |
| | | HOUSING KEY/COLOR | GROMMET CAP | PLR | MAT SEAL | | | | | | | | | | |
| MX150 ASSY BLD 2X4 YW A/6 | 334820850 | A-YELLOW | GCP | PLR | M-R | 1 | - | - | 4 | OBSOLETE | SEE 334824850 | 34950-0811 | 34950-0821 | 34951-0831 | 34951-0841 |
| MX150 ASSY BLD 2X4 YW A/8 | 334820851 | A-YELLOW | GCO | PLR | M-R | - | - | - | - | OBSOLETE | SEE 334824851 | 34950-0811 | 34950-0821 | 34951-0831 | 34951-0841 |
| MX150 ASSY BLD 2X4 DG C/8 | 334820852 | C-DARK GRAY | GCO | PLR | M-R | - | - | - | - | OBSOLETE | SEE 334824852 | 34950-0811 | 34950-0821 | 34951-0831 | 34951-0841 |
| MX150 ASSY BLD 2X4 SG D/8 | 334820853 | D-STONE GRAY | GCO | PLR | M-R | - | - | - | - | OBSOLETE | SEE 334824853 | 34950-0811 | 34950-0821 | 34951-0831 | 34951-0841 |
| MX150 ASSY BLD 2X4 BK A/4 | 334820854 | A-BLACK | GCP | PLR | M-R | 1 | 2 | 3 | 4 | OBSOLETE | SEE 334824854 | 34950-0811 | 34950-0821 | 34951-0831 | 34951-0841 |
| MX150 ASSY BLD 2X4 BK A/2 | 334820855 | A-BLACK | GCP | PLR | M-R | 1 | 2 | - | - | OBSOLETE | SEE 334824855 | 34950-0811 | 34950-0821 | 34951-0831 | 34951-0841 |
| MX150 ASSY BLD 2X4 BK A/6 | 334820856 | A-BLACK | GCP | PLR | M-R | 1 | 2 | - | - | OBSOLETE | SEE 334824856 | 34950-0811 | 34950-0821 | 34951-0831 | 34951-0841 |
| MX150 ASSY BLD 2X4 BK A/4 | 334820857 | A-BLACK | GCP | PLR | M-R | 1 | 2 | 3 | - | OBSOLETE | SEE 334824857 | 34950-0811 | 34950-0821 | 34951-0831 | 34951-0841 |
| MX150 ASSY BLD 2X4 BK A/2 | 334820858 | A-BLACK | GCP | PLR | M-R | 1 | 2 | 3 | 4 | OBSOLETE | SEE 334824858 | 34950-0811 | 34950-0821 | 34951-0831 | 34951-0841 |
| MX150 ASSY BLD 2X4 BK A/3 | 334820859 | A-BLACK | GCP | PLR | M-R | 1 | - | 3 | - | OBSOLETE | SEE 334824859 | 34950-0811 | 34950-0821 | 34951-0831 | 34951-0841 |
| MX150 ASSY BLD 2X4 BK A/2 | 334820860 | A-BLACK | GCP | PLR | M-R | 1 | 2 | 3 | 4 | OBSOLETE | SEE 334824860 | 34950-0811 | 34950-0821 | 34951-0831 | 34951-0841 |
| MX150 ASSY BLD 2X4 BK A/4 | 334820861 | A-BLACK | GCP | PLR | M-R | 1 | 2 | 3 | - | OBSOLETE | SEE 334824861 | 34950-0811 | 34950-0821 | 34951-0831 | 34951-0841 |
| MX150 ASSY BLD 2X4 BK A/6 | 334820862 | A-BLACK | GCP | PLR | M-R | 1 | - | - | - | OBSOLETE | SEE 334824862 | 34950-0811 | 34950-0821 | 34951-0831 | 34951-0841 |
| MX150 ASSY BLD 2X4 BK A/4 | 334820863 | A-BLACK | GCP | PLR | M-R | 1 | - | - | - | OBSOLETE | SEE 334824863 | 34950-0811 | 34950-0821 | 34951-0831 | 34951-0841 |
| MX150 ASSY BLD 2X4 BK A/2 | 334820864 | A-BLACK | GCP | PLR | M-R | - | - | 3 | 4 | OBSOLETE | SEE 334824864 | 34950-0811 | 34950-0821 | 34951-0831 | 34951-0841 |
| MX150 ASSY BLD 2X4 BK A/5 | 334820865 | A-BLACK | GCP | PLR | M-R | - | - | - | 4 | OBSOLETE | SEE 334824865 | 34950-0811 | 34950-0821 | 34951-0831 | 34951-0841 |
| MX150 ASSY BLD 2X4 BK A/3 | 334820866 | A-BLACK | GCP | PLR | M-R | - | - | - | 4 | OBSOLETE | SEE 334824866 | 34950-0811 | 34950-0821 | 34951-0831 | 34951-0841 |
| MX150 ASSY BLD 2X4 BK A/2 | 334820867 | A-BLACK | GCP | PLR | M-R | - | 2 | 3 | 4 | OBSOLETE | SEE 334824867 | 34950-0811 | 34950-0821 | 34951-0831 | 34951-0841 |
| MX150 ASSY BLD 2X4 BK A/5 | 334820868 | A-BLACK | GCP | PLR | M-R | - | - | - | - | OBSOLETE | SEE 334824868 | 34950-0811 | 34950-0821 | 34951-0831 | 34951-0841 |
| MX150 ASSY BLD 2X4 BK A/6 | 334820869 | A-BLACK | GCP | PLR | M-R | 5 | 6 | 7 | - | OBSOLETE | SEE 334824869 | 34950-0811 | 34950-0821 | 34951-0831 | 34951-0841 |
| MX150 ASSY BLD 2X4 BK A/5 | 334820870 | A-BLACK | GCP | PLR | M-R | - | - | - | - | OBSOLETE | SEE 334824870 | 34950-0811 | 34950-0821 | 34951-0831 | 34951-0841 |
| MX150 ASSY BLD 2X4 LG B/6 | 334820871 | B-LIGHT GRAY | GCP | PLR | M-R | - | 6 | 7 | 8 | OBSOLETE | SEE 334824871 | 34950-0811 | 34950-0821 | 34951-0831 | 34951-0841 |
| MX150 ASSY BLD 2X4 BK A/6 | 334820872 | A-BLACK | GCP | PLR | M-R | 1 | - | - | - | OBSOLETE | SEE 334824872 | 34950-0811 | 34950-0821 | 34951-0831 | 34951-0841 |
| MX150 ASSY BLD 2X4 BK A/6 | 334820873 | A-BLACK | GCP | PLR | M-R | - | - | - | 8 | OBSOLETE | SEE 334824873 | 34950-0811 | 34950-0821 | 34951-0831 | 34951-0841 |
| MX150 ASSY BLD 2X4 BK A/6 | 334820874 | A-BLACK | GCP | PLR | M-R | - | 6 | - | 8 | OBSOLETE | SEE 334824874 | 34950-0811 | 34950-0821 | 34951-0831 | 34951-0841 |
| MX150 ASSY BLD 2X4 BK A/6 | 334820874 | A-BLACK | GCP | PLR | M-R | - | 2 | - | - | OBSOLETE | SEE 334824874 | 34950-0811 | 34950-0821 | 34951-0831 | 34951-0841 |
| MX150 ASSY BLD 2X4 BK A/7 | 334820875 | A-BLACK | GCP | PLR | M-R | 5 | - | - | - | OBSOLETE | SEE 334824875 | 34950-0811 | 34950-0821 | 34951-0831 | 34951-0841 |
| MX150 ASSY BLD 2X4 LG B/5 | 334820876 | B-LIGHT GRAY | GCP | PLR | M-R | 1 | - | 3 | - | OBSOLETE | SEE 334824876 | 34950-0811 | 34950-0821 | 34951-0831 | 34951-0841 |

| ASSEMBLY DESCRIPTION | ASSEMBLY PART NUMBER | COMPONENT | | | | BLOCKED TERMINALS | | | | STATUS | COMMENT | OPTIONAL ATTACHMENTS SOLD SEPARATELY | | | |
|---------------------------|----------------------|--|-------------|-----|----------|--|---|---|---|-----------------|---------------|--------------------------------------|------------------------|-----------------------|--------------------------|
| | | THE PRESENCE OF AN ABBREVIATION INDICATES THE PRESENCE OF THAT COMPONENT | | | | CAVITY WITH A NUMBER INDICATES BLOCKED TERMINAL POSITION CAVITY WITHOUT A NUMBER INDICATES OPEN TERMINAL POSITION | | | | | | BACKSHELL WITH RIBS | BACKSHELL WITHOUT RIBS | 90° ADAPTOR WITH RIBS | 90° ADAPTOR WITHOUT RIBS |
| | | HOUSING KEY/COLOR | GROMMET CAP | PLR | MAT SEAL | | | | | | | | | | |
| MX150 ASSY BLD 2X4 LG B/6 | 334820877 | B-LIGHT GRAY | GCP | PLR | M-R | - | - | 3 | - | OBSOLETE | SEE 334824877 | 34950-0811 | 34950-0821 | 34951-0831 | 34951-0841 |
| MX150 ASSY BLD 2X4 LG B/7 | 334820878 | B-LIGHT GRAY | GCP | PLR | M-R | 1 | - | - | - | OBSOLETE | SEE 334824878 | 34950-0811 | 34950-0821 | 34951-0831 | 34951-0841 |
| MX150 ASSY BLD 2X4 BK A/2 | 334820879 | A-BLACK | GCP | PLR | M-R | 1 | 2 | 3 | 4 | OBSOLETE | SEE 334824879 | 34950-0811 | 34950-0821 | 34951-0831 | 34951-0841 |
| MX150 ASSY BLD 2X4 BK A/7 | 334820880 | A-BLACK | GCP | PLR | M-R | 1 | - | - | - | OBSOLETE | SEE 334824880 | 34950-0811 | 34950-0821 | 34951-0831 | 34951-0841 |
| MX150 ASSY BLD 2X4 BK A/6 | 334820881 | A-BLACK | GCP | PLR | M-R | - | - | - | - | OBSOLETE | SEE 334824881 | 34950-0811 | 34950-0821 | 34951-0831 | 34951-0841 |
| MX150 ASSY BLD 2X4 BK A/6 | 334820882 | A-BLACK | GCP | PLR | M-R | - | - | - | 4 | OBSOLETE | SEE 334824882 | 34950-0811 | 34950-0821 | 34951-0831 | 34951-0841 |
| MX150 ASSY BLD 2X4 BK A/6 | 334820883 | A-BLACK | GCP | PLR | M-R | 1 | - | - | - | OBSOLETE | SEE 334824883 | 34950-0811 | 34950-0821 | 34951-0831 | 34951-0841 |
| MX150 ASSY BLD 2X4 BK A/3 | 334820884 | A-BLACK | GCP | PLR | M-R | 1 | 2 | 3 | 4 | OBSOLETE | SEE 334824884 | 34950-0811 | 34950-0821 | 34951-0831 | 34951-0841 |
| MX150 ASSY BLD 2X4 BK A/3 | 334820885 | A-BLACK | GCP | PLR | M-R | 1 | 2 | - | - | OBSOLETE | SEE 334824885 | 34950-0811 | 34950-0821 | 34951-0831 | 34951-0841 |
| MX150 ASSY BLD 2X4 BK A/5 | 334820886 | A-BLACK | GCP | PLR | M-R | - | 2 | 3 | - | OBSOLETE | SEE 334824886 | 34950-0811 | 34950-0821 | 34951-0831 | 34951-0841 |
| MX150 ASSY BLD 2X4 BK A/3 | 334820887 | A-BLACK | GCP | PLR | M-R | 1 | - | 3 | 4 | OBSOLETE | SEE 334824887 | 34950-0811 | 34950-0821 | 34951-0831 | 34951-0841 |
| MX150 ASSY BLD 2X4 BK A/5 | 334820888 | A-BLACK | GCP | PLR | M-R | - | - | - | 4 | OBSOLETE | SEE 334824888 | 34950-0811 | 34950-0821 | 34951-0831 | 34951-0841 |
| MX150 ASSY BLD 2X4 BK A/2 | 334820889 | A-BLACK | GCP | PLR | M-R | 1 | 2 | - | 4 | OBSOLETE | SEE 334824889 | 34950-0811 | 34950-0821 | 34951-0831 | 34951-0841 |
| MX150 ASSY BLD 2X4 BK A/4 | 334820892 | A-BLACK | GCP | PLR | M-R | - | 2 | 3 | - | OBSOLETE | SEE 334824892 | 34950-0811 | 34950-0821 | 34951-0831 | 34951-0841 |
| MX150 ASSY BLD 2X4 BK A/1 | 334820893 | A-BLACK | GCP | PLR | M-R | 1 | 2 | 3 | 4 | OBSOLETE | SEE 334824893 | 34950-0811 | 34950-0821 | 34951-0831 | 34951-0841 |
| MX150 ASSY BLD 2X4 BK A/4 | 334820894 | A-BLACK | GCP | PLR | M-R | - | - | 3 | 4 | OBSOLETE | SEE 334824894 | 34950-0811 | 34950-0821 | 34951-0831 | 34951-0841 |
| MX150 ASSY BLD 2X4 BK A/6 | 334820895 | A-BLACK | GCP | PLR | M-R | - | - | 3 | - | OBSOLETE | SEE 334824895 | 34950-0811 | 34950-0821 | 34951-0831 | 34951-0841 |
| MX150 ASSY BLD 2X4 BK A/3 | 334820896 | A-BLACK | GCP | PLR | M-R | 1 | 2 | - | 4 | OBSOLETE | SEE 334824896 | 34950-0811 | 34950-0821 | 34951-0831 | 34951-0841 |
| MX150 ASSY BLD 2X4 BK A/5 | 334820897 | A-BLACK | GCP | PLR | M-R | - | - | - | 4 | OBSOLETE | SEE 334824897 | 34950-0811 | 34950-0821 | 34951-0831 | 34951-0841 |
| MX150 ASSY BLD 2X4 BK A/7 | 334820898 | A-BLACK | GCP | PLR | M-R | - | 2 | - | - | OBSOLETE | SEE 334824898 | 34950-0811 | 34950-0821 | 34951-0831 | 34951-0841 |
| MX150 ASSY BLD 2X4 BK A/1 | 334820899 | A-BLACK | GCP | PLR | M-R | 1 | - | 3 | 4 | OBSOLETE | SEE 334824899 | 34950-0811 | 34950-0821 | 34951-0831 | 34951-0841 |
| MX150 ASSY BLD 2X4 BK A/8 | 334824801 | A-BLACK | GCO | PLR | M-B | - | - | - | - | SALEABLE | | 34950-0811 | 34950-0821 | 34951-0831 | 34951-0841 |
| MX150 ASSY BLD 2X4 LG B/8 | 334824802 | B-LIGHT GRAY | GCO | PLR | M-B | - | - | - | - | SALEABLE | | 34950-0811 | 34950-0821 | 34951-0831 | 34951-0841 |
| MX150 ASSY BLD 2X4 BR C/8 | 334824803 | C-BROWN | GCO | PLR | M-B | - | - | - | - | NOT RECOMMENDED | SEE 334824852 | 34950-0811 | 34950-0821 | 34951-0831 | 34951-0841 |
| MX150 ASSY BLD 2X4 GR D/8 | 334824804 | D-GREEN | GCO | PLR | M-B | - | - | - | - | NOT RECOMMENDED | SEE 334824853 | 34950-0811 | 34950-0821 | 34951-0831 | 34951-0841 |
| MX150 ASSY BLD 2X4 BK A/7 | 334824806 | A-BLACK | GCP | PLR | M-B | - | - | - | 4 | SALEABLE | | 34950-0811 | 34950-0821 | 34951-0831 | 34951-0841 |
| MX150 ASSY BLD 2X4 LG B/7 | 334824807 | B-LIGHT GRAY | GCP | PLR | M-B | - | - | - | 4 | SALEABLE | | 34950-0811 | 34950-0821 | 34951-0831 | 34951-0841 |

| ASSEMBLY DESCRIPTION | ASSEMBLY PART NUMBER | COMPONENT | | | | BLOCKED TERMINALS | | | | STATUS | COMMENT | OPTIONAL ATTACHMENTS SOLD SEPARATELY | | | |
|---------------------------|----------------------|--|-------------|-----|----------|--|---|---|---|-----------------|---------------|--------------------------------------|------------------------|-----------------------|--------------------------|
| | | THE PRESENCE OF AN ABBREVIATION INDICATES THE PRESENCE OF THAT COMPONENT | | | | CAVITY WITH A NUMBER INDICATES BLOCKED TERMINAL POSITION CAVITY WITHOUT A NUMBER INDICATES OPEN TERMINAL POSITION | | | | | | BACKSHELL WITH RIBS | BACKSHELL WITHOUT RIBS | 90° ADAPTOR WITH RIBS | 90° ADAPTOR WITHOUT RIBS |
| | | HOUSING KEY/COLOR | GROMMET CAP | PLR | MAT SEAL | | | | | | | | | | |
| MX150 ASSY BLD 2X4 BR C/7 | 334824808 | C-BROWN | GCP | PLR | M-B | - | - | - | 4 | NOT RECOMMENDED | SEE 334824902 | 34950-0811 | 34950-0821 | 34951-0831 | 34951-0841 |
| MX150 ASSY BLD 2X4 GR D/7 | 334824809 | D-GREEN | GCP | PLR | M-B | - | - | - | 4 | NOT RECOMMENDED | | 34950-0811 | 34950-0821 | 34951-0831 | 34951-0841 |
| MX150 ASSY BLD 2X4 BK A/6 | 334824811 | A-BLACK | GCP | PLR | M-B | - | - | - | 4 | SALEABLE | | 34950-0811 | 34950-0821 | 34951-0831 | 34951-0841 |
| | | | | | | 5 | - | - | - | | | | | | |
| MX150 ASSY BLD 2X4 LG B/6 | 334824812 | B-LIGHT GRAY | GCP | PLR | M-B | - | - | - | 4 | SALEABLE | | 34950-0811 | 34950-0821 | 34951-0831 | 34951-0841 |
| | | | | | | 5 | - | - | - | | | | | | |
| MX150 ASSY BLD 2X4 BR C/6 | 334824813 | C-BROWN | GCP | PLR | M-B | - | - | - | 4 | NOT RECOMMENDED | | 34950-0811 | 34950-0821 | 34951-0831 | 34951-0841 |
| | | | | | | 5 | - | - | - | | | | | | |
| MX150 ASSY BLD 2X4 GR D/6 | 334824814 | D-GREEN | GCP | PLR | M-B | - | - | - | 4 | NOT RECOMMENDED | | 34950-0811 | 34950-0821 | 34951-0831 | 34951-0841 |
| | | | | | | 5 | - | - | - | | | | | | |
| MX150 ASSY BLD 2X4 BK A/5 | 334824816 | A-BLACK | GCP | PLR | M-B | 1 | - | - | 4 | SALEABLE | | 34950-0811 | 34950-0821 | 34951-0831 | 34951-0841 |
| | | | | | | 5 | - | - | - | | | | | | |
| MX150 ASSY BLD 2X4 LG B/5 | 334824817 | B-LIGHT GRAY | GCP | PLR | M-B | 1 | - | - | 4 | SALEABLE | | 34950-0811 | 34950-0821 | 34951-0831 | 34951-0841 |
| | | | | | | 5 | - | - | - | | | | | | |
| MX150 ASSY BLD 2X4 BR C/5 | 334824818 | C-BROWN | GCP | PLR | M-B | 1 | - | - | 4 | NOT RECOMMENDED | | 34950-0811 | 34950-0821 | 34951-0831 | 34951-0841 |
| | | | | | | 5 | - | - | - | | | | | | |
| MX150 ASSY BLD 2X4 GR D/5 | 334824819 | D-GREEN | GCP | PLR | M-B | 1 | - | - | 4 | NOT RECOMMENDED | | 34950-0811 | 34950-0821 | 34951-0831 | 34951-0841 |
| | | | | | | 5 | - | - | - | | | | | | |
| MX150 ASSY BLD 2X4 BK A/4 | 334824821 | A-BLACK | GCP | PLR | M-B | 1 | - | - | 4 | SALEABLE | | 34950-0811 | 34950-0821 | 34951-0831 | 34951-0841 |
| | | | | | | 5 | - | - | 8 | | | | | | |
| MX150 ASSY BLD 2X4 LG B/4 | 334824822 | B-LIGHT GRAY | GCP | PLR | M-B | 1 | - | - | 4 | SALEABLE | | 34950-0811 | 34950-0821 | 34951-0831 | 34951-0841 |
| | | | | | | 5 | - | - | 8 | | | | | | |
| MX150 ASSY BLD 2X4 BR C/4 | 334824823 | C-BROWN | GCP | PLR | M-B | 1 | - | - | 4 | NOT RECOMMENDED | | 34950-0811 | 34950-0821 | 34951-0831 | 34951-0841 |
| | | | | | | 5 | - | - | 8 | | | | | | |
| MX150 ASSY BLD 2X4 GR D/4 | 334824824 | D-GREEN | GCP | PLR | M-B | 1 | - | - | 4 | NOT RECOMMENDED | | 34950-0811 | 34950-0821 | 34951-0831 | 34951-0841 |
| | | | | | | 5 | - | - | 8 | | | | | | |
| MX150 ASSY BLD 2X4 BK A/2 | 334824826 | A-BLACK | GCP | PLR | M-B | 1 | 2 | 3 | - | SALEABLE | | 34950-0811 | 34950-0821 | 34951-0831 | 34951-0841 |
| | | | | | | - | 6 | 7 | 8 | | | | | | |
| MX150 ASSY BLD 2X4 BK A/7 | 334824827 | A-BLACK | GCP | PLR | M-B | - | - | - | - | SALEABLE | | 34950-0811 | 34950-0821 | 34951-0831 | 34951-0841 |
| | | | | | | - | - | - | 8 | | | | | | |
| MX150 ASSY BLD 2X4 BK A/6 | 334824828 | A-BLACK | GCP | PLR | M-B | - | - | 3 | - | SALEABLE | | 34950-0811 | 34950-0821 | 34951-0831 | 34951-0841 |
| | | | | | | 5 | - | - | - | | | | | | |
| MX150 ASSY BLD 2X4 BK A/2 | 334824829 | A-BLACK | GCP | PLR | M-B | - | 2 | 3 | 4 | SALEABLE | | 34950-0811 | 34950-0821 | 34951-0831 | 34951-0841 |
| | | | | | | 5 | 6 | 7 | - | | | | | | |
| MX150 ASSY BLD 2X4 BK A/7 | 334824830 | A-BLACK | GCP | PLR | M-B | - | - | - | - | SALEABLE | | 34950-0811 | 34950-0821 | 34951-0831 | 34951-0841 |
| | | | | | | - | 6 | - | - | | | | | | |
| MX150 ASSY BLD 2X4 BK A/5 | 334824831 | A-BLACK | GCP | PLR | M-B | - | - | 3 | - | SALEABLE | | 34950-0811 | 34950-0821 | 34951-0831 | 34951-0841 |
| | | | | | | 5 | 6 | - | - | | | | | | |
| MX150 ASSY BLD 2X4 BK A/5 | 334824832 | A-BLACK | GCP | PLR | M-B | - | - | - | - | SALEABLE | | 34950-0811 | 34950-0821 | 34951-0831 | 34951-0841 |
| | | | | | | 5 | 6 | - | 8 | | | | | | |
| MX150 ASSY BLD 2X4 BK A/5 | 334824833 | A-BLACK | GCP | PLR | M-B | 1 | - | 3 | - | SALEABLE | | 34950-0811 | 34950-0821 | 34951-0831 | 34951-0841 |
| | | | | | | 5 | - | - | - | | | | | | |
| MX150 ASSY BLD 2X4 BK A/0 | 334824834 | A-BLACK | GCP | PLR | M-B | 1 | 2 | 3 | 4 | SALEABLE | | 34950-0811 | 34950-0821 | 34951-0831 | 34951-0841 |
| | | | | | | 5 | 6 | 7 | 8 | | | | | | |
| MX150 ASSY BLD 2X4 BK A/6 | 334824835 | A-BLACK | GCP | PLR | M-B | - | - | - | - | SALEABLE | | 34950-0811 | 34950-0821 | 34951-0831 | 34951-0841 |
| | | | | | | - | - | 7 | 8 | | | | | | |
| MX150 ASSY BLD 2X4 BK A/3 | 334824836 | A-BLACK | GCP | PLR | M-B | - | 2 | 3 | - | SALEABLE | | 34950-0811 | 34950-0821 | 34951-0831 | 34951-0841 |
| | | | | | | - | 6 | 7 | 8 | | | | | | |
| MX150 ASSY BLD 2X4 BK A/6 | 334824837 | A-BLACK | GCP | PLR | M-B | 1 | - | - | 4 | SALEABLE | | 34950-0811 | 34950-0821 | 34951-0831 | 34951-0841 |
| | | | | | | - | - | - | - | | | | | | |
| MX150 ASSY BLD 2X4 BK A/2 | 334824838 | A-BLACK | GCP | PLR | M-B | - | 2 | 3 | - | SALEABLE | | 34950-0811 | 34950-0821 | 34951-0831 | 34951-0841 |
| | | | | | | 5 | 6 | 7 | 8 | | | | | | |

| ASSEMBLY DESCRIPTION | ASSEMBLY PART NUMBER | COMPONENT | | | | BLOCKED TERMINALS | | | | STATUS | COMMENT | OPTIONAL ATTACHMENTS SOLD SEPARATELY | | | |
|---------------------------|----------------------|--|-------------|-----|----------|--|---|---|---|----------|---------|--------------------------------------|------------------------|-----------------------|--------------------------|
| | | THE PRESENCE OF AN ABBREVIATION INDICATES THE PRESENCE OF THAT COMPONENT | | | | CAVITY WITH A NUMBER INDICATES BLOCKED TERMINAL POSITION CAVITY WITHOUT A NUMBER INDICATES OPEN TERMINAL POSITION | | | | | | BACKSHELL WITH RIBS | BACKSHELL WITHOUT RIBS | 90° ADAPTOR WITH RIBS | 90° ADAPTOR WITHOUT RIBS |
| | | HOUSING KEY/COLOR | GROMMET CAP | PLR | MAT SEAL | | | | | | | | | | |
| MX150 ASSY BLD 2X4 LG B/7 | 334824839 | B-LIGHT GRAY | GCP | PLR | M-B | - | - | - | - | SALEABLE | | 34950-0811 | 34950-0821 | 34951-0831 | 34951-0841 |
| MX150 ASSY BLD 2X4 BK A/3 | 334824840 | A-BLACK | GCP | PLR | M-B | - | 2 | 3 | - | SALEABLE | | 34950-0811 | 34950-0821 | 34951-0831 | 34951-0841 |
| MX150 ASSY BLD 2X4 BK A/6 | 334824841 | A-BLACK | GCP | PLR | M-B | - | - | - | - | SALEABLE | | 34950-0811 | 34950-0821 | 34951-0831 | 34951-0841 |
| MX150 ASSY BLD 2X4 BK A/7 | 334824842 | A-BLACK | GCP | PLR | M-B | - | - | - | - | SALEABLE | | 34950-0811 | 34950-0821 | 34951-0831 | 34951-0841 |
| MX150 ASSY BLD 2X4 BK A/6 | 334824843 | A-BLACK | GCP | PLR | M-B | - | - | - | 4 | SALEABLE | | 34950-0811 | 34950-0821 | 34951-0831 | 34951-0841 |
| MX150 ASSY BLD 2X4 BK A/6 | 334824844 | A-BLACK | GCP | PLR | M-B | - | - | 3 | - | SALEABLE | | 34950-0811 | 34950-0821 | 34951-0831 | 34951-0841 |
| MX150 ASSY BLD 2X4 BK A/3 | 334824845 | A-BLACK | GCP | PLR | M-B | - | 2 | 3 | 4 | SALEABLE | | 34950-0811 | 34950-0821 | 34951-0831 | 34951-0841 |
| MX150 ASSY BLD 2X4 BK A/4 | 334824846 | A-BLACK | GCP | PLR | M-B | - | - | - | 4 | SALEABLE | | 34950-0811 | 34950-0821 | 34951-0831 | 34951-0841 |
| MX150 ASSY BLD 2X4 LG B/0 | 334824847 | B-LIGHT GRAY | GCP | PLR | M-B | 1 | 2 | 3 | 4 | SALEABLE | | 34950-0811 | 34950-0821 | 34951-0831 | 34951-0841 |
| MX150 ASSY BLD 2X4 BK A/6 | 334824848 | A-BLACK | GCP | PLR | M-B | 1 | - | - | - | SALEABLE | | 34950-0811 | 34950-0821 | 34951-0831 | 34951-0841 |
| MX150 ASSY BLD 2X4 LG B/6 | 334824849 | B-LIGHT GRAY | GCP | PLR | M-B | 1 | - | - | - | SALEABLE | | 34950-0811 | 34950-0821 | 34951-0831 | 34951-0841 |
| MX150 ASSY BLD 2X4 YW A/6 | 334824850 | A-YELLOW | GCP | PLR | M-B | 1 | - | - | 4 | SALEABLE | | 34950-0811 | 34950-0821 | 34951-0831 | 34951-0841 |
| MX150 ASSY BLD 2X4 YW A/8 | 334824851 | A-YELLOW | GCO | PLR | M-B | - | - | - | - | SALEABLE | | 34950-0811 | 34950-0821 | 34951-0831 | 34951-0841 |
| MX150 ASSY BLD 2X4 DG C/8 | 334824852 | C-DARK GRAY | GCO | PLR | M-B | - | - | - | - | SALEABLE | | 34950-0811 | 34950-0821 | 34951-0831 | 34951-0841 |
| MX150 ASSY BLD 2X4 SG D/8 | 334824853 | D-STONE GRAY | GCO | PLR | M-B | - | - | - | - | SALEABLE | | 34950-0811 | 34950-0821 | 34951-0831 | 34951-0841 |
| MX150 ASSY BLD 2X4 BK A/4 | 334824854 | A-BLACK | GCP | PLR | M-B | 1 | 2 | 3 | 4 | SALEABLE | | 34950-0811 | 34950-0821 | 34951-0831 | 34951-0841 |
| MX150 ASSY BLD 2X4 BK A/2 | 334824855 | A-BLACK | GCP | PLR | M-B | 1 | 2 | - | - | SALEABLE | | 34950-0811 | 34950-0821 | 34951-0831 | 34951-0841 |
| MX150 ASSY BLD 2X4 BK A/6 | 334824856 | A-BLACK | GCP | PLR | M-B | 1 | 2 | - | - | SALEABLE | | 34950-0811 | 34950-0821 | 34951-0831 | 34951-0841 |
| MX150 ASSY BLD 2X4 BK A/4 | 334824857 | A-BLACK | GCP | PLR | M-B | 1 | 2 | 3 | - | SALEABLE | | 34950-0811 | 34950-0821 | 34951-0831 | 34951-0841 |
| MX150 ASSY BLD 2X4 BK A/2 | 334824858 | A-BLACK | GCP | PLR | M-B | 1 | 2 | 3 | 4 | SALEABLE | | 34950-0811 | 34950-0821 | 34951-0831 | 34951-0841 |
| MX150 ASSY BLD 2X4 BK A/3 | 334824859 | A-BLACK | GCP | PLR | M-B | 1 | - | 3 | - | SALEABLE | | 34950-0811 | 34950-0821 | 34951-0831 | 34951-0841 |
| MX150 ASSY BLD 2X4 BK A/2 | 334824860 | A-BLACK | GCP | PLR | M-B | 1 | 2 | 3 | 4 | SALEABLE | | 34950-0811 | 34950-0821 | 34951-0831 | 34951-0841 |
| MX150 ASSY BLD 2X4 BK A/4 | 334824861 | A-BLACK | GCP | PLR | M-B | 1 | 2 | 3 | - | SALEABLE | | 34950-0811 | 34950-0821 | 34951-0831 | 34951-0841 |
| MX150 ASSY BLD 2X4 BK A/6 | 334824862 | A-BLACK | GCP | PLR | M-B | 1 | - | - | - | SALEABLE | | 34950-0811 | 34950-0821 | 34951-0831 | 34951-0841 |
| MX150 ASSY BLD 2X4 BK A/4 | 334824863 | A-BLACK | GCP | PLR | M-B | 1 | - | - | - | SALEABLE | | 34950-0811 | 34950-0821 | 34951-0831 | 34951-0841 |
| MX150 ASSY BLD 2X4 BK A/2 | 334824864 | A-BLACK | GCP | PLR | M-B | - | - | 3 | 4 | SALEABLE | | 34950-0811 | 34950-0821 | 34951-0831 | 34951-0841 |
| MX150 ASSY BLD 2X4 BK A/5 | 334824865 | A-BLACK | GCP | PLR | M-B | - | - | - | 4 | SALEABLE | | 34950-0811 | 34950-0821 | 34951-0831 | 34951-0841 |

| ASSEMBLY DESCRIPTION | ASSEMBLY PART NUMBER | COMPONENT | | | | BLOCKED TERMINALS | | | | STATUS | COMMENT | OPTIONAL ATTACHMENTS SOLD SEPARATELY | | | |
|---------------------------|----------------------|--|-------------|-----|----------|--|---|---|---|----------|---------|--------------------------------------|------------------------|-----------------------|--------------------------|
| | | THE PRESENCE OF AN ABBREVIATION INDICATES THE PRESENCE OF THAT COMPONENT | | | | CAVITY WITH A NUMBER INDICATES BLOCKED TERMINAL POSITION CAVITY WITHOUT A NUMBER INDICATES OPEN TERMINAL POSITION | | | | | | BACKSHELL WITH RIBS | BACKSHELL WITHOUT RIBS | 90° ADAPTOR WITH RIBS | 90° ADAPTOR WITHOUT RIBS |
| | | HOUSING KEY/COLOR | GROMMET CAP | PLR | MAT SEAL | | | | | | | | | | |
| MX150 ASSY BLD 2X4 BK A/3 | 334824866 | A-BLACK | GCP | PLR | M-B | - | - | - | 4 | SALEABLE | | 34950-0811 | 34950-0821 | 34951-0831 | 34951-0841 |
| | | | | | | 5 | 6 | 7 | 8 | | | | | | |
| MX150 ASSY BLD 2X4 BK A/2 | 334824867 | A-BLACK | GCP | PLR | M-B | - | 2 | 3 | 4 | SALEABLE | | 34950-0811 | 34950-0821 | 34951-0831 | 34951-0841 |
| | | | | | | - | 6 | 7 | 8 | | | | | | |
| MX150 ASSY BLD 2X4 BK A/5 | 334824868 | A-BLACK | GCP | PLR | M-B | - | - | - | - | SALEABLE | | 34950-0811 | 34950-0821 | 34951-0831 | 34951-0841 |
| | | | | | | 5 | 6 | 7 | - | | | | | | |
| MX150 ASSY BLD 2X4 BK A/6 | 334824869 | A-BLACK | GCP | PLR | M-B | - | - | 3 | 4 | SALEABLE | | 34950-0811 | 34950-0821 | 34951-0831 | 34951-0841 |
| | | | | | | - | - | - | - | | | | | | |
| MX150 ASSY BLD 2X4 BK A/5 | 334824870 | A-BLACK | GCP | PLR | M-B | - | - | - | - | SALEABLE | | 34950-0811 | 34950-0821 | 34951-0831 | 34951-0841 |
| | | | | | | - | 6 | 7 | 8 | | | | | | |
| MX150 ASSY BLD 2X4 LG B/6 | 334824871 | B-LIGHT GRAY | GCP | PLR | M-B | - | - | - | - | SALEABLE | | 34950-0811 | 34950-0821 | 34951-0831 | 34951-0841 |
| | | | | | | - | - | 7 | 8 | | | | | | |
| MX150 ASSY BLD 2X4 BK A/6 | 334824872 | A-BLACK | GCP | PLR | M-B | 1 | - | - | - | SALEABLE | | 34950-0811 | 34950-0821 | 34951-0831 | 34951-0841 |
| | | | | | | - | - | - | 8 | | | | | | |
| MX150 ASSY BLD 2X4 BK A/6 | 334824873 | A-BLACK | GCP | PLR | M-B | - | - | - | - | SALEABLE | | 34950-0811 | 34950-0821 | 34951-0831 | 34951-0841 |
| | | | | | | - | 6 | - | 8 | | | | | | |
| MX150 ASSY BLD 2X4 BK A/6 | 334824874 | A-BLACK | GCP | PLR | M-B | - | 2 | - | - | SALEABLE | | 34950-0811 | 34950-0821 | 34951-0831 | 34951-0841 |
| | | | | | | 5 | - | - | - | | | | | | |
| MX150 ASSY BLD 2X4 BK A/7 | 334824875 | A-BLACK | GCP | PLR | M-B | - | - | - | - | SALEABLE | | 34950-0811 | 34950-0821 | 34951-0831 | 34951-0841 |
| | | | | | | 5 | - | - | - | | | | | | |
| MX150 ASSY BLD 2X4 LG B/5 | 334824876 | B-LIGHT GRAY | GCP | PLR | M-B | 1 | - | 3 | - | SALEABLE | | 34950-0811 | 34950-0821 | 34951-0831 | 34951-0841 |
| | | | | | | - | - | - | 8 | | | | | | |
| MX150 ASSY BLD 2X4 LG B/6 | 334824877 | B-LIGHT GRAY | GCP | PLR | M-B | - | - | 3 | - | SALEABLE | | 34950-0811 | 34950-0821 | 34951-0831 | 34951-0841 |
| | | | | | | - | - | - | 8 | | | | | | |
| MX150 ASSY BLD 2X4 LG B/7 | 334824878 | B-LIGHT GRAY | GCP | PLR | M-B | 1 | - | - | - | SALEABLE | | 34950-0811 | 34950-0821 | 34951-0831 | 34951-0841 |
| | | | | | | - | - | - | - | | | | | | |
| MX150 ASSY BLD 2X4 BK A/2 | 334824879 | A-BLACK | GCP | PLR | M-B | 1 | 2 | 3 | 4 | SALEABLE | | 34950-0811 | 34950-0821 | 34951-0831 | 34951-0841 |
| | | | | | | 5 | - | 7 | - | | | | | | |
| MX150 ASSY BLD 2X4 BK A/7 | 334824880 | A-BLACK | GCP | PLR | M-B | 1 | - | - | - | SALEABLE | | 34950-0811 | 34950-0821 | 34951-0831 | 34951-0841 |
| | | | | | | - | - | - | - | | | | | | |
| MX150 ASSY BLD 2X4 BK A/6 | 334824881 | A-BLACK | GCP | PLR | M-B | - | - | - | - | SALEABLE | | 34950-0811 | 34950-0821 | 34951-0831 | 34951-0841 |
| | | | | | | 5 | - | - | 8 | | | | | | |
| MX150 ASSY BLD 2X4 BK A/6 | 334824882 | A-BLACK | GCP | PLR | M-B | - | - | - | 4 | SALEABLE | | 34950-0811 | 34950-0821 | 34951-0831 | 34951-0841 |
| | | | | | | - | 6 | - | - | | | | | | |
| MX150 ASSY BLD 2X4 BK A/6 | 334824883 | A-BLACK | GCP | PLR | M-B | 1 | - | - | - | SALEABLE | | 34950-0811 | 34950-0821 | 34951-0831 | 34951-0841 |
| | | | | | | - | - | 7 | - | | | | | | |
| MX150 ASSY BLD 2X4 BK A/3 | 334824884 | A-BLACK | GCP | PLR | M-B | 1 | 2 | 3 | 4 | SALEABLE | | 34950-0811 | 34950-0821 | 34951-0831 | 34951-0841 |
| | | | | | | - | - | 7 | - | | | | | | |
| MX150 ASSY BLD 2X4 BK A/3 | 334824885 | A-BLACK | GCP | PLR | M-B | 1 | 2 | - | - | SALEABLE | | 34950-0811 | 34950-0821 | 34951-0831 | 34951-0841 |
| | | | | | | 5 | 6 | - | 8 | | | | | | |
| MX150 ASSY BLD 2X4 BK A/5 | 334824886 | A-BLACK | GCP | PLR | M-B | - | 2 | 3 | - | SALEABLE | | 34950-0811 | 34950-0821 | 34951-0831 | 34951-0841 |
| | | | | | | - | - | - | 8 | | | | | | |
| MX150 ASSY BLD 2X4 BK A/3 | 334824887 | A-BLACK | GCP | PLR | M-B | 1 | - | 3 | 4 | SALEABLE | | 34950-0811 | 34950-0821 | 34951-0831 | 34951-0841 |
| | | | | | | - | - | 7 | 8 | | | | | | |
| MX150 ASSY BLD 2X4 BK A/5 | 334824888 | A-BLACK | GCP | PLR | M-B | - | - | - | 4 | SALEABLE | | 34950-0811 | 34950-0821 | 34951-0831 | 34951-0841 |
| | | | | | | 5 | 6 | - | - | | | | | | |
| MX150 ASSY BLD 2X4 BK A/2 | 334824889 | A-BLACK | GCP | PLR | M-B | 1 | 2 | - | 4 | SALEABLE | | 34950-0811 | 34950-0821 | 34951-0831 | 34951-0841 |
| | | | | | | 5 | 6 | - | 8 | | | | | | |
| MX150 ASSY BLD 2X4 BK A/6 | 334824890 | A-BLACK | GCP | PLR | M-B | - | - | - | 4 | SALEABLE | | 34950-0811 | 34950-0821 | 34951-0831 | 34951-0841 |
| | | | | | | - | - | - | 8 | | | | | | |
| MX150 ASSY BLD 2X4 BK A/5 | 334824891 | A-BLACK | GCP | PLR | M-B | - | - | - | 4 | SALEABLE | | 34950-0811 | 34950-0821 | 34951-0831 | 34951-0841 |
| | | | | | | 5 | - | - | 8 | | | | | | |
| MX150 ASSY BLD 2X4 BK A/4 | 334824892 | A-BLACK | GCP | PLR | M-B | - | 2 | 3 | - | SALEABLE | | 34950-0811 | 34950-0821 | 34951-0831 | 34951-0841 |
| | | | | | | 5 | - | - | 8 | | | | | | |

| ASSEMBLY DESCRIPTION | ASSEMBLY PART NUMBER | COMPONENT | | | | BLOCKED TERMINALS | | | | STATUS | COMMENT | OPTIONAL ATTACHMENTS SOLD SEPARATELY | | | |
|---------------------------|----------------------|--|-------------|-----|----------|--|---|---|---|----------|---------|--------------------------------------|------------------------|-----------------------|--------------------------|
| | | THE PRESENCE OF AN ABBREVIATION INDICATES THE PRESENCE OF THAT COMPONENT | | | | CAVITY WITH A NUMBER INDICATES BLOCKED TERMINAL POSITION CAVITY WITHOUT A NUMBER INDICATES OPEN TERMINAL POSITION | | | | | | BACKSHELL WITH RIBS | BACKSHELL WITHOUT RIBS | 90° ADAPTOR WITH RIBS | 90° ADAPTOR WITHOUT RIBS |
| | | HOUSING KEY/COLOR | GROMMET CAP | PLR | MAT SEAL | | | | | | | | | | |
| MX150 ASSY BLD 2X4 BK A/1 | 334824893 | A-BLACK | GCP | PLR | M-B | 1 | 2 | 3 | 4 | SALEABLE | | 34950-0811 | 34950-0821 | 34951-0831 | 34951-0841 |
| | | | | | | 5 | - | 7 | 8 | | | | | | |
| MX150 ASSY BLD 2X4 BK A/4 | 334824894 | A-BLACK | GCP | PLR | M-B | - | - | 3 | 4 | SALEABLE | | 34950-0811 | 34950-0821 | 34951-0831 | 34951-0841 |
| | | | | | | 5 | - | 7 | - | | | | | | |
| MX150 ASSY BLD 2X4 BK A/6 | 334824895 | A-BLACK | GCP | PLR | M-B | - | - | 3 | - | SALEABLE | | 34950-0811 | 34950-0821 | 34951-0831 | 34951-0841 |
| | | | | | | - | - | 7 | - | | | | | | |
| MX150 ASSY BLD 2X4 BK A/3 | 334824896 | A-BLACK | GCP | PLR | M-B | 1 | 2 | - | 4 | SALEABLE | | 34950-0811 | 34950-0821 | 34951-0831 | 34951-0841 |
| | | | | | | 5 | - | 7 | - | | | | | | |
| MX150 ASSY BLD 2X4 BK A/5 | 334824897 | A-BLACK | GCP | PLR | M-B | - | - | - | 4 | SALEABLE | | 34950-0811 | 34950-0821 | 34951-0831 | 34951-0841 |
| | | | | | | 5 | - | 7 | - | | | | | | |
| MX150 ASSY BLD 2X4 BK A/7 | 334824898 | A-BLACK | GCP | PLR | M-B | - | 2 | - | - | SALEABLE | | 34950-0811 | 34950-0821 | 34951-0831 | 34951-0841 |
| | | | | | | - | - | - | - | | | | | | |
| MX150 ASSY BLD 2X4 BK A/1 | 334824899 | A-BLACK | GCP | PLR | M-B | 1 | - | 3 | 4 | SALEABLE | | 34950-0811 | 34950-0821 | 34951-0831 | 34951-0841 |
| | | | | | | 5 | 6 | 7 | 8 | | | | | | |
| MX150 ASSY BLD 2X4 BK A/4 | 334824900 | A-BLACK | GCP | PLR | M-B | - | - | - | - | SALEABLE | | 34950-0811 | 34950-0821 | 34951-0831 | 34951-0841 |
| | | | | | | 5 | 6 | 7 | 8 | | | | | | |
| MX150 ASSY BLD 2X4 BK A/7 | 334824901 | A-BLACK | GCP | PLR | M-B | - | - | 3 | - | SALEABLE | | 34950-0811 | 34950-0821 | 34951-0831 | 34951-0841 |
| | | | | | | - | - | - | - | | | | | | |
| MX150 ASSY BLD 2X4 DG C/7 | 334824902 | C-DARK GRAY | GCP | PLR | M-B | - | - | - | 4 | SALEABLE | | 34950-0811 | 34950-0821 | 34951-0831 | 34951-0841 |
| | | | | | | - | - | - | - | | | | | | |
| MX150 ASSY BLD 2X4 BK A/6 | 334825000 | A-BLACK | GCP | PLR | M-B | - | 2 | - | - | SALEABLE | | 34950-0811 | 34950-0821 | 34951-0831 | 34951-0841 |
| | | | | | | - | - | - | 8 | | | | | | |
| MX150 ASSY BLD 2X4 BK A/8 | 334825001 | A-BLACK | GCO | PLR | M-B | - | - | - | - | SALEABLE | | 34950-0811 | 34950-0821 | 34951-0831 | 34951-0841 |
| | | | | | | - | - | - | - | | | | | | |
| MX150 ASSY BLD 2X4 BK A/2 | 334825002 | A-BLACK | GCP | PLR | M-B | 1 | 2 | 3 | - | SALEABLE | | 34950-0811 | 34950-0821 | 34951-0831 | 34951-0841 |
| | | | | | | 5 | 6 | - | 8 | | | | | | |
| MX150 ASSY BLD 2X4 BK A/5 | 334825003 | A-BLACK | GCP | PLR | M-B | - | - | - | - | SALEABLE | | 34950-0811 | 34950-0821 | 34951-0831 | 34951-0841 |
| | | | | | | 5 | 6 | 7 | - | | | | | | |
| MX150 ASSY BLD 2X4 BK A/5 | 334825004 | A-BLACK | GCP | PLR | M-B | - | - | - | - | SALEABLE | | 34950-0811 | 34950-0821 | 34951-0831 | 34951-0841 |
| | | | | | | - | 6 | 7 | 8 | | | | | | |
| MX150 ASSY BLD 2X4 BK A/3 | 334825005 | A-BLACK | GCP | PLR | M-B | 1 | - | - | - | SALEABLE | | 34950-0811 | 34950-0821 | 34951-0831 | 34951-0841 |
| | | | | | | 5 | 6 | 7 | 8 | | | | | | |
| MX150 ASSY BLD 2X4 LG B/4 | 334825006 | B-LIGHT GRAY | GCP | PLR | M-B | - | 2 | 3 | 4 | SALEABLE | | 34950-0811 | 34950-0821 | 34951-0831 | 34951-0841 |
| | | | | | | - | - | 7 | - | | | | | | |
| MX150 ASSY BLD 2X4 BK A/3 | 334825007 | A-BLACK | GCP | PLR | M-B | 1 | 2 | 3 | 4 | SALEABLE | | 34950-0811 | 34950-0821 | 34951-0831 | 34951-0841 |
| | | | | | | 5 | - | - | - | | | | | | |
| MX150 ASSY BLD 2X4 BK A/3 | 334825008 | A-BLACK | GCP | PLR | M-B | 1 | - | 3 | 4 | SALEABLE | | 34950-0811 | 34950-0821 | 34951-0831 | 34951-0841 |
| | | | | | | - | - | 7 | 8 | | | | | | |
| MX150 ASSY BLD 2X4 BK A/3 | 334825009 | A-BLACK | GCP | PLR | M-B | 1 | 2 | - | 4 | SALEABLE | | 34950-0811 | 34950-0821 | 34951-0831 | 34951-0841 |
| | | | | | | 5 | 6 | - | - | | | | | | |
| MX150 ASSY BLD 2X4 LG B/6 | 334825010 | B-LIGHT GRAY | GCP | PLR | M-B | - | - | - | 4 | SALEABLE | | 34950-0811 | 34950-0821 | 34951-0831 | 34951-0841 |
| | | | | | | - | - | 7 | - | | | | | | |
| MX150 ASSY BLD 2X4 LG B/4 | 334825011 | B-LIGHT GRAY | GCP | PLR | M-B | - | - | - | - | SALEABLE | | 34950-0811 | 34950-0821 | 34951-0831 | 34951-0841 |
| | | | | | | 5 | 6 | 7 | 8 | | | | | | |
| MX150 ASSY BLD 2X4 BK A/4 | 334825012 | A-BLACK | GCP | PLR | M-B | - | 2 | 3 | 4 | SALEABLE | | 34950-0811 | 34950-0821 | 34951-0831 | 34951-0841 |
| | | | | | | - | - | 7 | - | | | | | | |
| MX150 ASSY BLD 2X4 BK A/4 | 334825013 | A-BLACK | GCP | PLR | M-B | - | - | - | - | SALEABLE | | 34950-0811 | 34950-0821 | 34951-0831 | 34951-0841 |
| | | | | | | 5 | 6 | 7 | 8 | | | | | | |

| TABLE OF CONTENTS | |
|-------------------|--------------------------|
| SHEET NO. | SHEET DESCRIPTION |
| 1 | NOTES AND BOM |
| 2 | CONFIGURATIONS |
| 3-4 | KEY CONFIGURATIONS |
| 5 | BLADE SEALED ASSEMBLY |
| 6 | SYSTEM PACKAGING |
| 7 | BACKSHELL NOTES |
| 8 | BACKSHELL |
| 9 | BACKSHELL CONFIGURATIONS |

NOTES: VALID UNLESS OTHERWISE SPECIFIED

1. GENERAL:
a. APPLICATION SPECIFICATION SEE: AS-33472-100
-CONTAINS: PRODUCT INTRODUCTION, PRODUCT SUMMARY, CONNECTOR ASSEMBLY, PACKAGING INFORMATION, CONNECTOR MATING, SERVICE INSTRUCTIONS, ELECTRICAL CONTINUITY CHECKING, CRIMPING, AND TROUBLESHOOTING.
-DESIGNED TO MATE WITH RECEPTACLE SEALED ASSEMBLY AS SPECIFIED IN THE MATING CONNECTOR DRAWINGS CHART.
*DENOTES DRAWINGS THAT CAN BE ACCESSED AT <http://ewcap.uscarteams.org/>.
-ASSEMBLY SHIPPED WITH PLR IN PRE-LOCK POSITION (SEE PLR PRE-LOCK VIEW SHEET 5).

b. PRODUCT SPECIFICATION SEE:
-STANDARD CONFIGURATION: PS-33472-000
-UL V0 CONFIGURATION: TBD
CONTAINS: PRODUCT INTRODUCTION, PRODUCT SUMMARY, RATINGS (CURRENT, TEMPERATURE, SEALING, AND FLAMMABILITY), TERMINALS, WIRE DIAMETER RANGE, PRODUCT VALIDATION, AND PRODUCT DEVIATIONS.

c. PACKAGING SPECIFICATION PER MOLEX DRAWING: PK-31300-635
d. PARTS MUST BE IN COMPLIANCE TO MOLEX CHEMICAL SUBSTANCES FOR PRODUCTS AND PACKAGING SPECIFICATION: QEHS-699000-300
e. DATA MUST BE SUBMITTED UNDER THE MOLEX PART NUMBER TO IMDS (COMPANY ID#13255)

2. DESIGN - MATERIALS:
a. FOR BILL OF MATERIALS SEE:
-STANDARD CONFIGURATION: SD-33482-0002
-UL V0 CONFIGURATION: SD-160084-0002

3. DESIGN - GEOMETRY:
a. THE 3-D CAD DATA IS BASIC (WITHOUT TOLERANCE) AND MASTER FOR THIS PART WITH THE EXCEPTION OF UNDERLINED DIMENSIONS. DIMENSIONAL INFORMATION NOT SHOWN ON THIS DRAWING IS DEFINED BY THE DATA FILE AT ITS LATEST REVISION.
b. GEOMETRIC DIMENSIONS AND TOLERANCES PER ASME Y14.5M-2009
c. EDGES AND UNDIMENSIONED DETAILS PER ISO13715
d. CORNERS SHOWN AS SHARP TO BE R 0.2 MAX.
e. LETTERING SHALL BE 0.15 MAX RAISED IN 0.25 MAX RECESS PAD. THIS INCLUDES RECYCLING CODE, CAVITY ID, VENDOR IDENTIFICATION, AND CUSTOMER MATERIAL NUMBER.
f. VISUAL DEFECTS SHALL MEET COSMETIC STANDARD PS-45499-002 (Class B).
g. LASER MARKING:
1. PART NUMBER
2. DAY OF THE YEAR
3. SHIFT
4. YEAR
FOR ADDITIONAL INFORMATION SEE SECTION 5 UNDER PROCEDURES IN ES-34735-008.

| MATING CONNECTOR DRAWINGS | |
|---------------------------|---------------|
| DESCRIPTION | MOLEX INLINE |
| 2X2 | SD-33472-0001 |
| 2X3 | SD-33472-0001 |
| 2X4 | SD-33472-0001 |
| 2X6 | SD-33472-0001 |
| 2X8 | SD-33472-0001 |
| 2X10 | SD-33472-0001 |



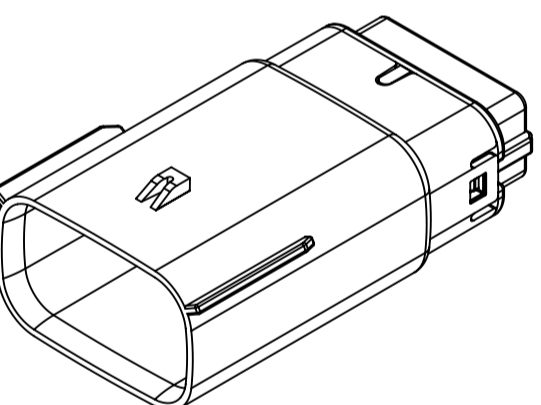
2X2



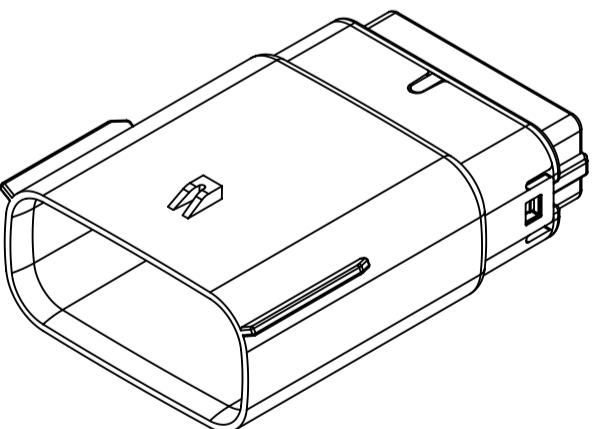
2X3



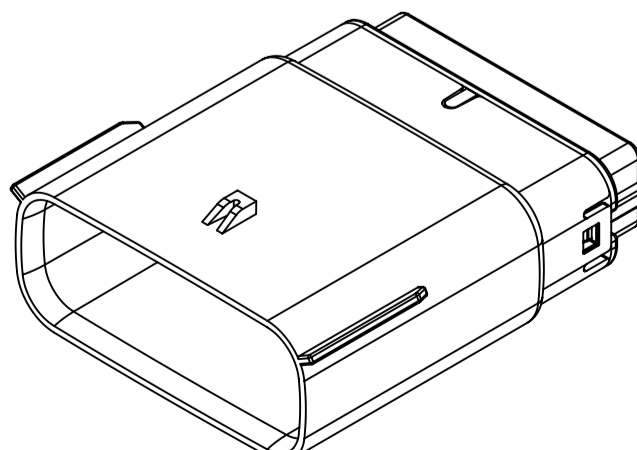
2X4



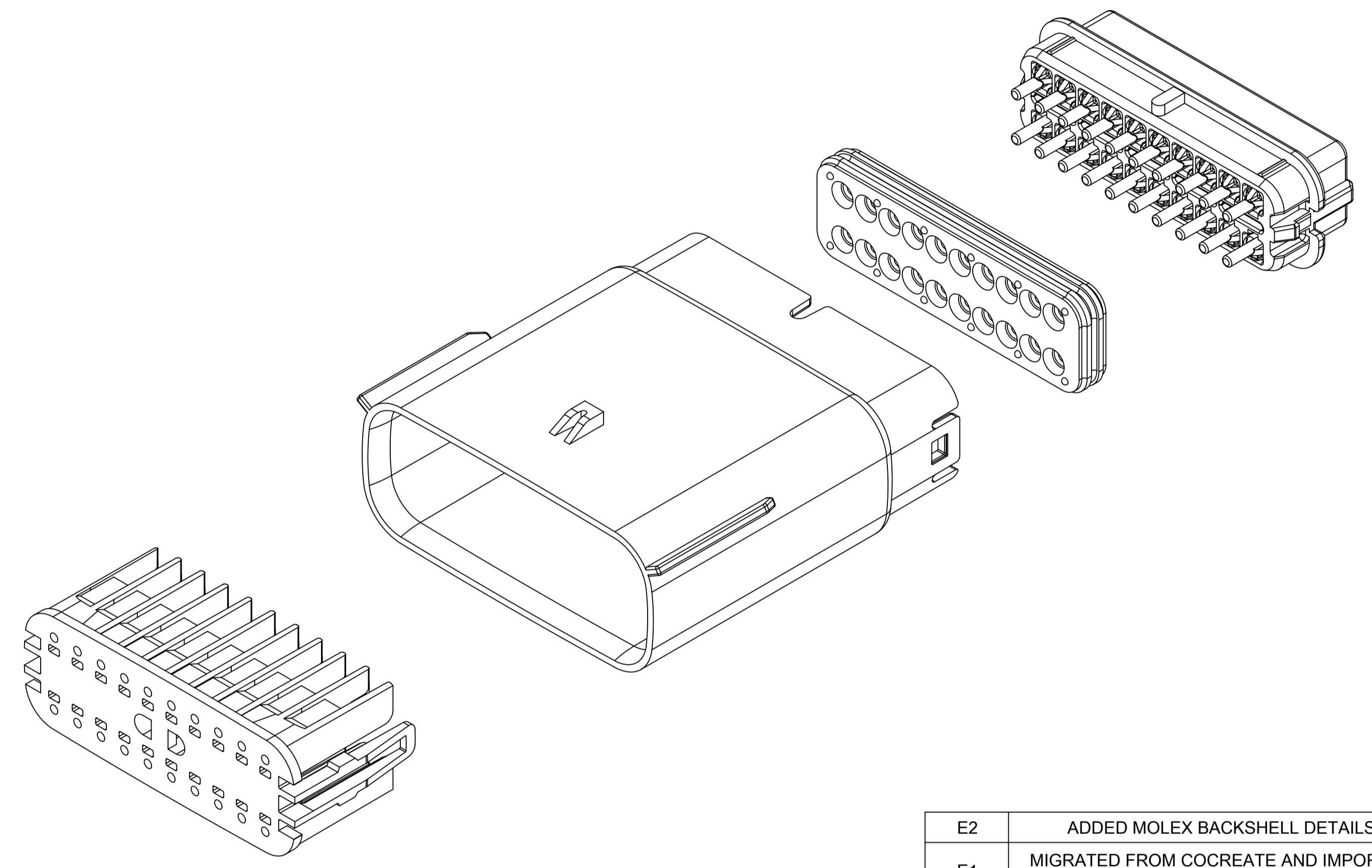
2X6



2X8



2X10

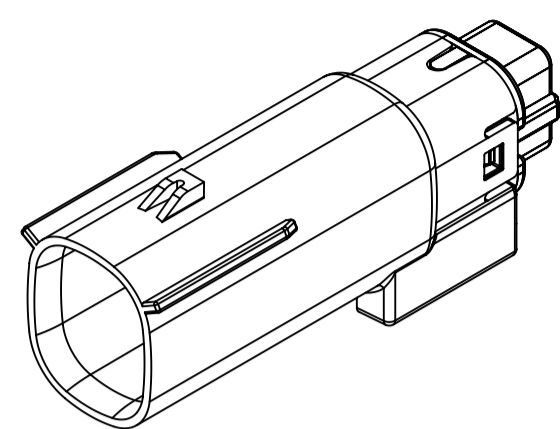


| REV | DESCRIPTION |
|-----|---|
| E2 | ADDED MOLEX BACKSHELL DETAILS |
| E1 | MIGRATED FROM COCREATE AND IMPORTED DXF FILES |
| E | ADDED CHARTED DIMENSIONS FOR 2X2, 2X4, 2X6 AND 2X8 WITH CLIPSLLOT |
| D | MINOR GEOMETRY CHANGE FOR UL V0 |
| C3 | ADD 2X4 |
| C2 | ADD 2X3 |
| C1 | ADD UL V0 CONFIGURATIONS |
| C | ADD 2X8 |
| B1 | ADD 2X6 BACKSHELL INFO |
| B | ADD 2X6 |
| A | INITIAL RELEASE |
| REV | REV DESCRIPTION |

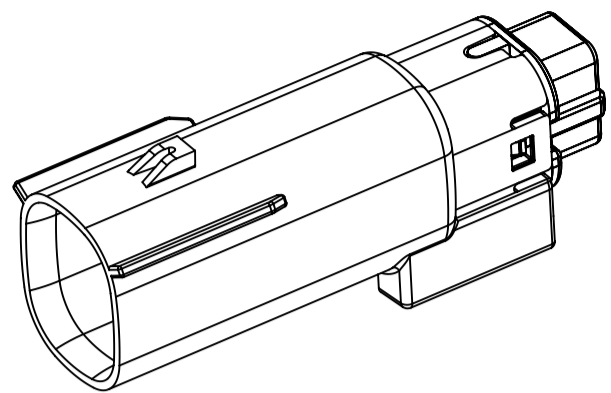
| INSPECTION NUMBER LOG | |
|-----------------------|---|
| LAST NUMBER: | 9 |
| ADDED: | |
| REMOVED: | |

| | | | | |
|---|--|---|--|--|
| SYMBOLS = 0 = 0 = 0 = 0 = 0 = 0 = 0 = 0 = 0 | THIS DRAWING CONTAINS INFORMATION THAT IS PROPRIETARY TO MOLEX ELECTRONIC TECHNOLOGIES, LLC AND SHOULD NOT BE USED WITHOUT WRITTEN PERMISSION DIMENSION UNITS: mm SCALE: 1.5:1 | CURRENT REV DESC: EC NO: 171650 DRWN: PMANJUNATHAC 2018/01/03 CHK'D: MVANSLAMBROU 2018/02/16 APPR: MVANSLAMBROU 2018/02/16 INITIAL REVISION: DRWN: APROFFITT 2014/04/28 APPR: VKOSHY 2014/05/14 | MX150 BLADE DUAL ROW SEALED ASSEMBLY MAT SEAL PRODUCT CUSTOMER DRAWING | |
| | GENERAL TOLERANCES (UNLESS SPECIFIED) ANGULAR TOL ± 1.0° 4 PLACES ± 3 PLACES ± 2 PLACES ± 0.1 1 PLACE ± 0.2 0 PLACES ± | DRWN: APROFFITT 2014/04/28 APPR: VKOSHY 2014/05/14 | | DOCUMENT NUMBER: SD-33482-0001 DOC TYPE: PSD DOC PART: 001 REVISION: E2 |
| | DRAFT WHERE APPLICABLE MUST REMAIN WITHIN DIMENSIONS | THIRD ANGLE PROJECTION | | MATERIAL NUMBER: 33482 CUSTOMER: GENERAL MARKET SHEET NUMBER: 1 OF 11 |
| | DIMENSION UNITS: mm SCALE: 1.5:1 | DRAWING: A1-SIZE SERIES: 33482 | | |

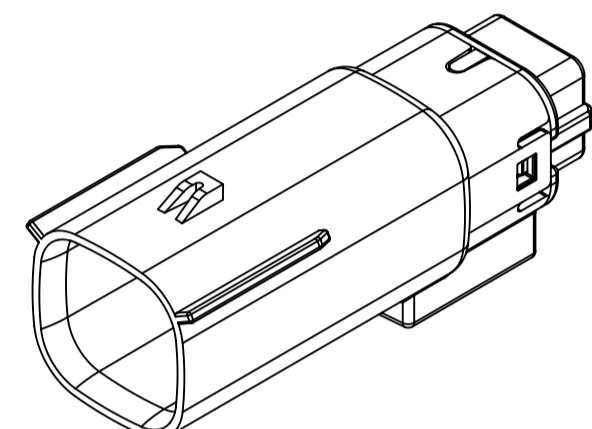
SHEET DESCRIPTION
CONFIGURATIONS



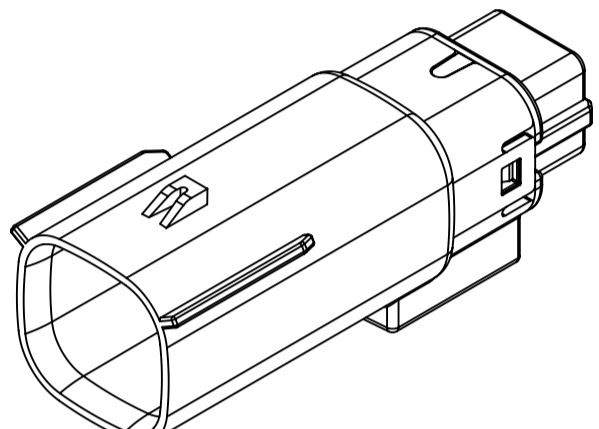
2X2 - STANDARD (STD)



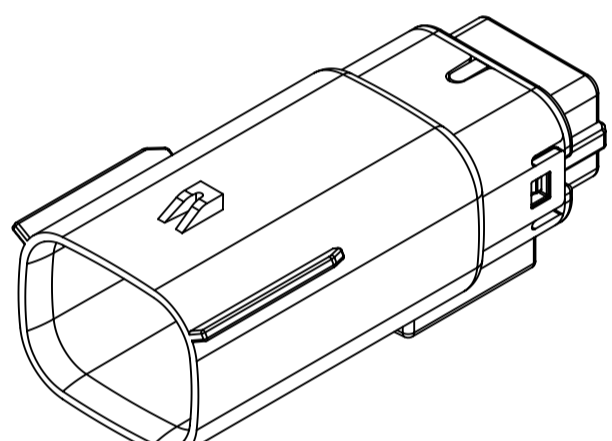
2X2 - UL V0*



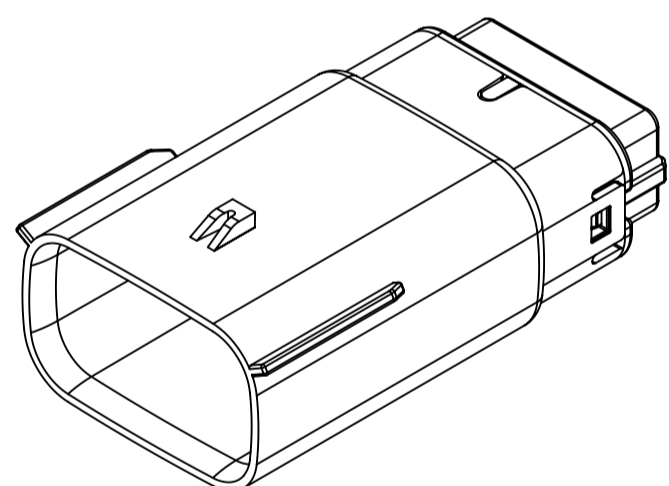
2X3 - STANDARD (STD)



2X3 - LENGTHENED



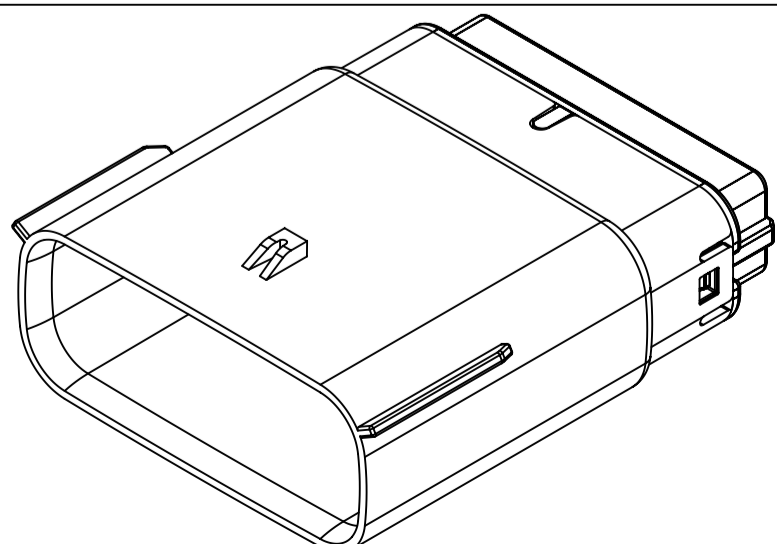
2X4 - STANDARD (STD)



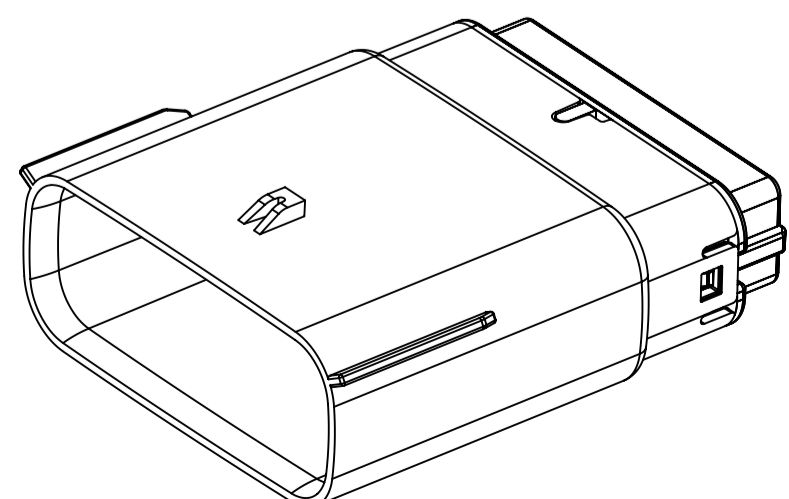
2X6 - STANDARD (STD)



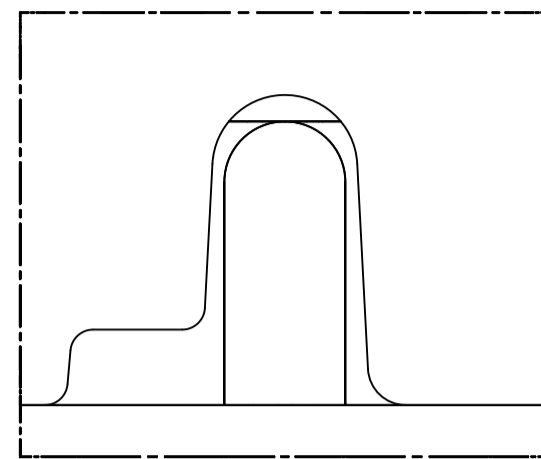
2X8 - STANDARD (STD)



2X10 - STANDARD (STD)



2X10 - UL V0*



UL V0 UNIQUE FEATURE

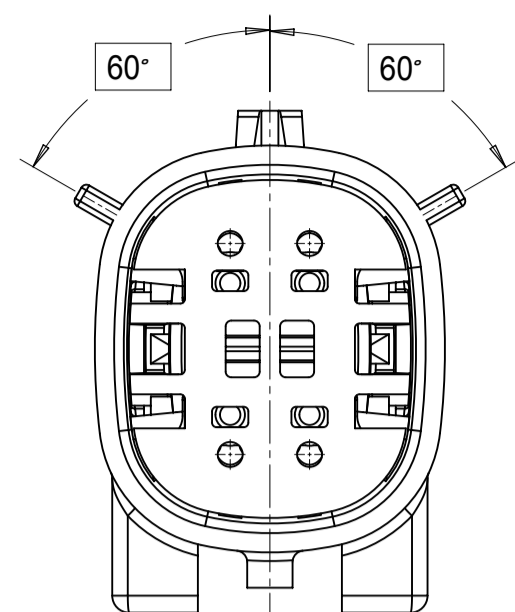
Partial1
SCALE 10:1

* MINOR GEOMETRY CHANGE THAN STANDARD CONFIGURATION.
SEE NOTE 2a FOR MORE INFORMATION

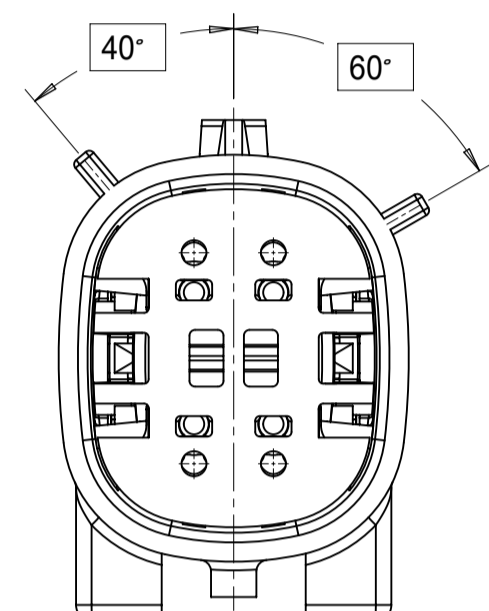
| | | | | | |
|---------|---|-------|--------------------------------|--------|--|
| SYMBOLS | THIS DRAWING CONTAINS INFORMATION THAT IS PROPRIETARY TO MOLEX ELECTRONIC TECHNOLOGIES, LLC AND SHOULD NOT BE USED WITHOUT WRITTEN PERMISSION | | CURRENT REV DESC: | | molex |
| | DIMENSION UNITS | SCALE | | | |
| ▽ = 0 | mm | 1.5:1 | EC NO: 171650 | | MX150 BLADE DUAL ROW SEALED ASSEMBLY MAT SEAL |
| ▽ = 0 | GENERAL TOLERANCES (UNLESS SPECIFIED) | | DRWN: PMANJUNATHAC 2018/01/03 | | |
| ▽ = 0 | ANGULAR TOL ± 1.0° | | CHK'D: MVANSLAMBROU 2018/02/16 | | |
| ▽ = 0 | 4 PLACES ± | | APPR: MVANSLAMBROU 2018/02/16 | | |
| ▽ = 0 | 3 PLACES ± | | INITIAL REVISION: | | |
| ▽ = 0 | 2 PLACES ± 0.1 | | DRWN: APROFFITT 2014/04/28 | | |
| ▽ = 0 | 1 PLACE ± 0.2 | | APPR: VKOSHY 2014/05/14 | | |
| ▽ = 0 | 0 PLACES ± | | THIRD ANGLE PROJECTION | | |
| ▽ = 0 | DRAFT WHERE APPLICABLE MUST REMAIN WITHIN DIMENSIONS | | DRAWING | SERIES | DOCUMENT NUMBER |
| | | | A1-SIZE | 33482 | SD-33482-0001 |
| | | | | | DOC TYPE DOC PART REVISION |
| | | | | | PSD 001 E2 |
| | | | | | PRODUCT CUSTOMER DRAWING |
| | | | | | CUSTOMER |
| | | | | | GENERAL MARKET |
| | | | | | SHEET NUMBER |
| | | | | | 2 OF 11 |

SHEET DESCRIPTION
KEY CONFIGURATIONS

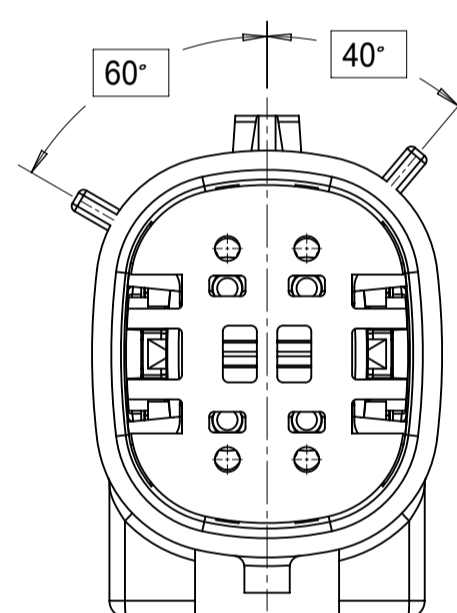
2X2



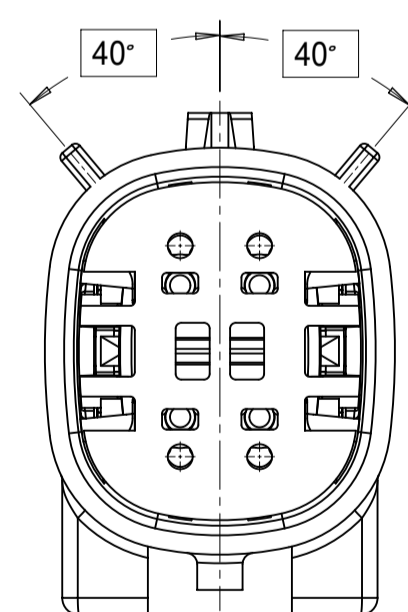
KEY A



KEY B

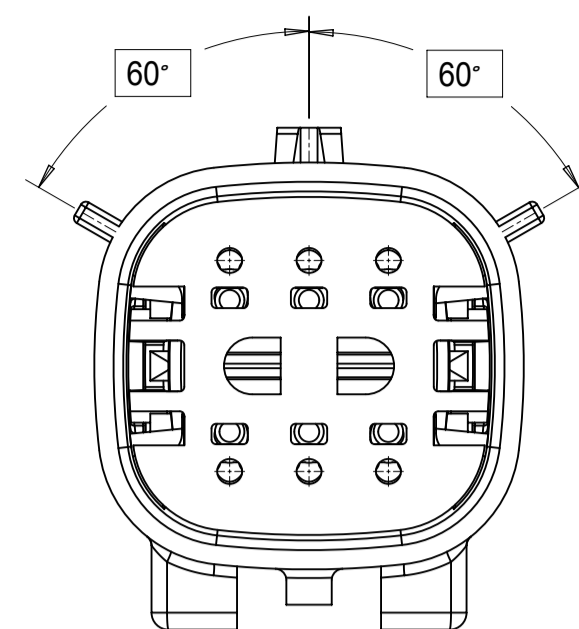


KEY C

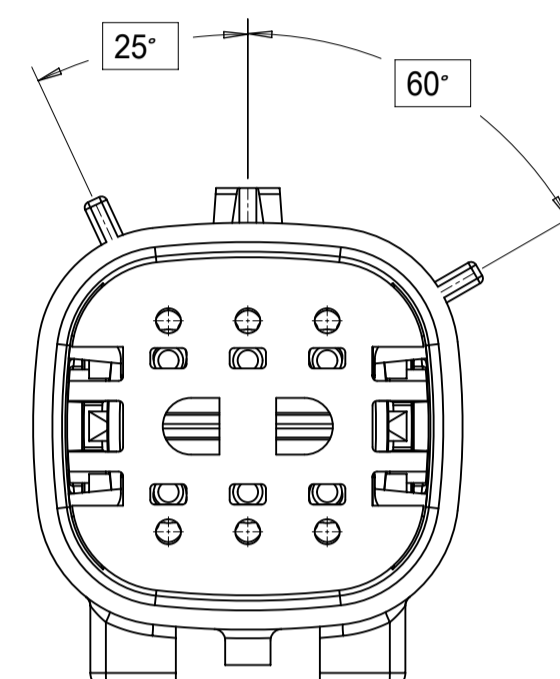


KEY D

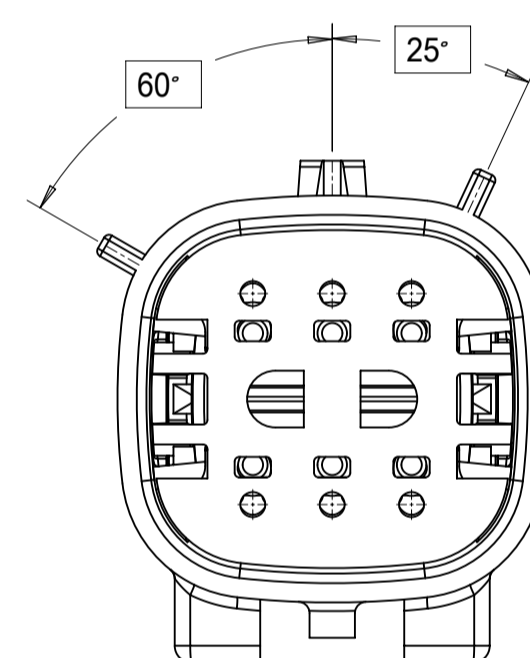
2X3



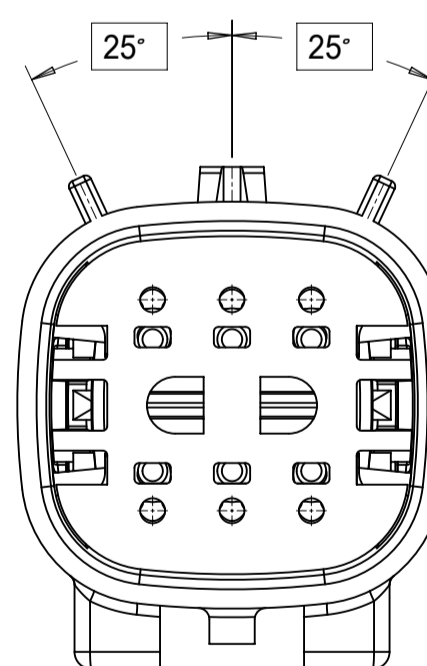
KEY A



KEY B

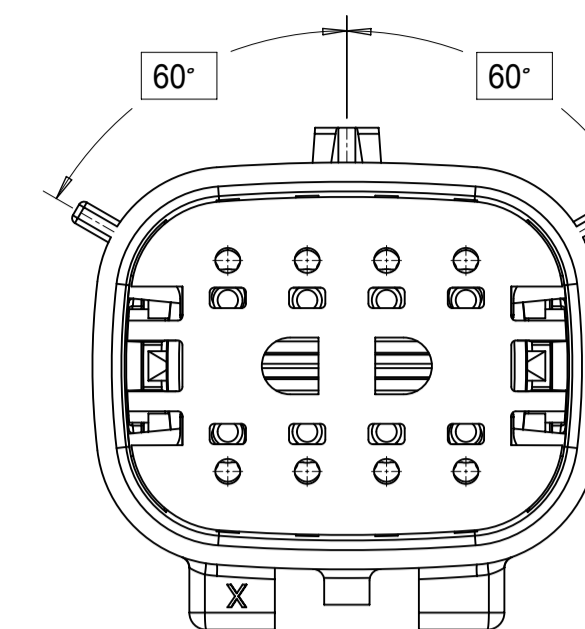


KEY C

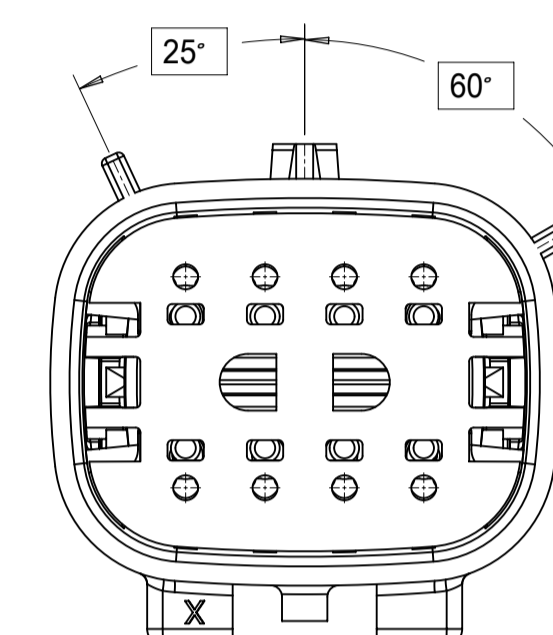


KEY D

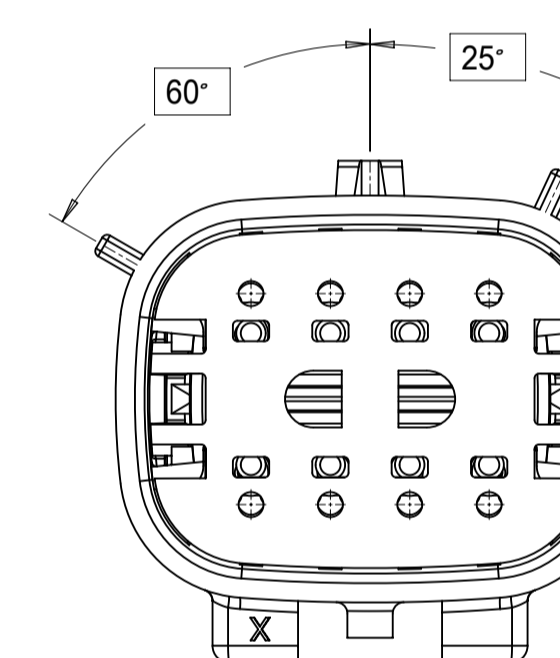
2X4



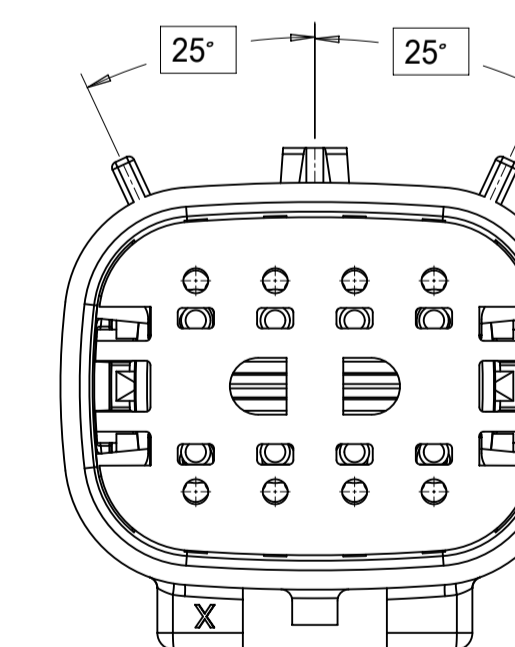
KEY A



KEY B



KEY C

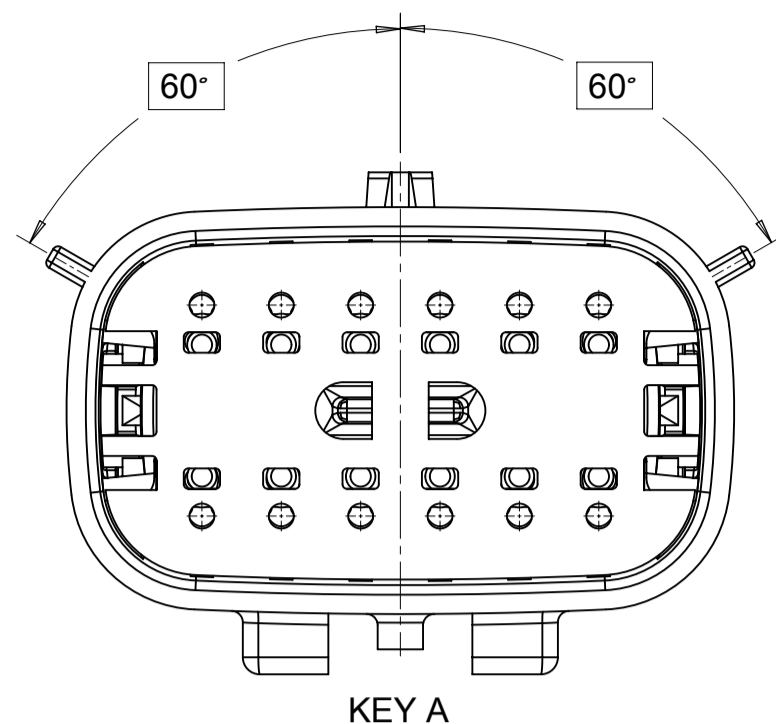


KEY D

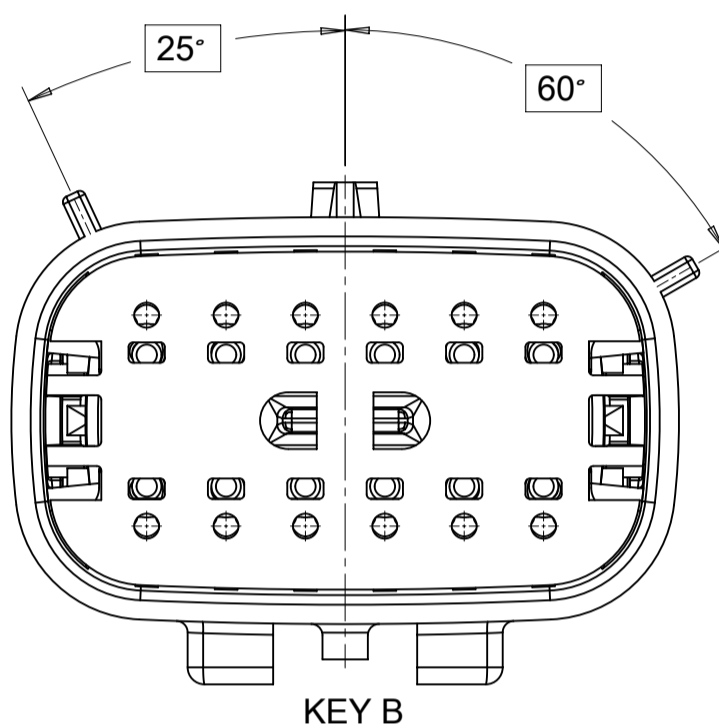
| | | | | | |
|--|--|--|--|--------------------------------|--|
| SYMBOLS = 0 = 0 = 0 = 0 = 0 = 0 = 0 = 0 = 0 = 0 | THIS DRAWING CONTAINS INFORMATION THAT IS PROPRIETARY TO MOLEX ELECTRONIC TECHNOLOGIES, LLC AND SHOULD NOT BE USED WITHOUT WRITTEN PERMISSION DIMENSION UNITS: mm SCALE: 3:1 | CURRENT REV DESC: EC NO: 171650 DRWN: PMANJUNATHAC 2018/01/03 CHK'D: MVANSLAMBROU 2018/02/16 APPR: MVANSLAMBROU 2018/02/16 | MX150 BLADE DUAL ROW SEALED ASSEMBLY MAT SEAL | | |
| | GENERAL TOLERANCES (UNLESS SPECIFIED) ANGULAR TOL ± 1.0° 4 PLACES ± 3 PLACES ± 2 PLACES ± 0.1 1 PLACE ± 0.2 0 PLACES ± | INITIAL REVISION: DRWN: APROFFITT 2014/04/28 APPR: VKOSHY 2014/05/14 | | | |
| DRAFT WHERE APPLICABLE MUST REMAIN WITHIN DIMENSIONS | THIRD ANGLE PROJECTION | DRAWING: A1-SIZE SERIES: 33482 | MATERIAL NUMBER CUSTOMER: GENERAL MARKET | SHEET NUMBER 3 OF 11 | |

SHEET DESCRIPTION
KEY CONFIGURATIONS CONT.

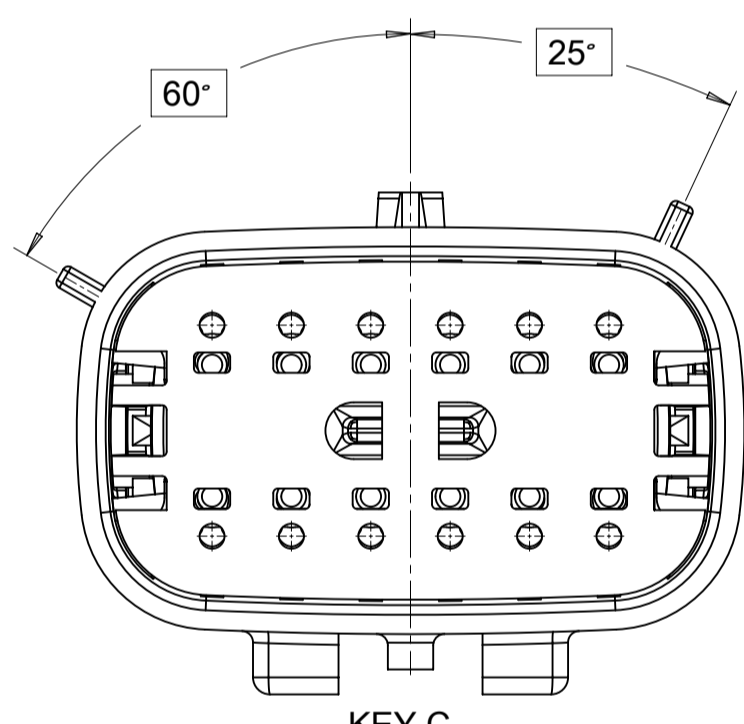
2X6



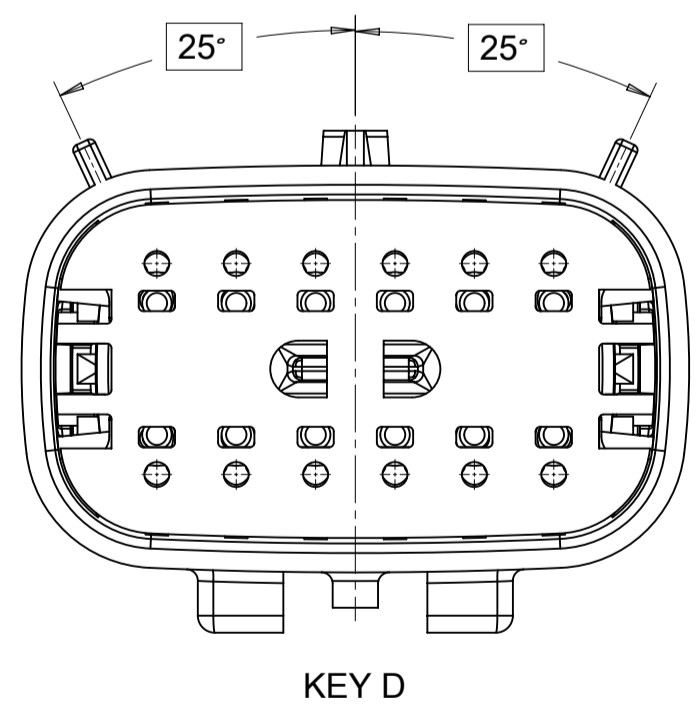
KEY A



KEY B

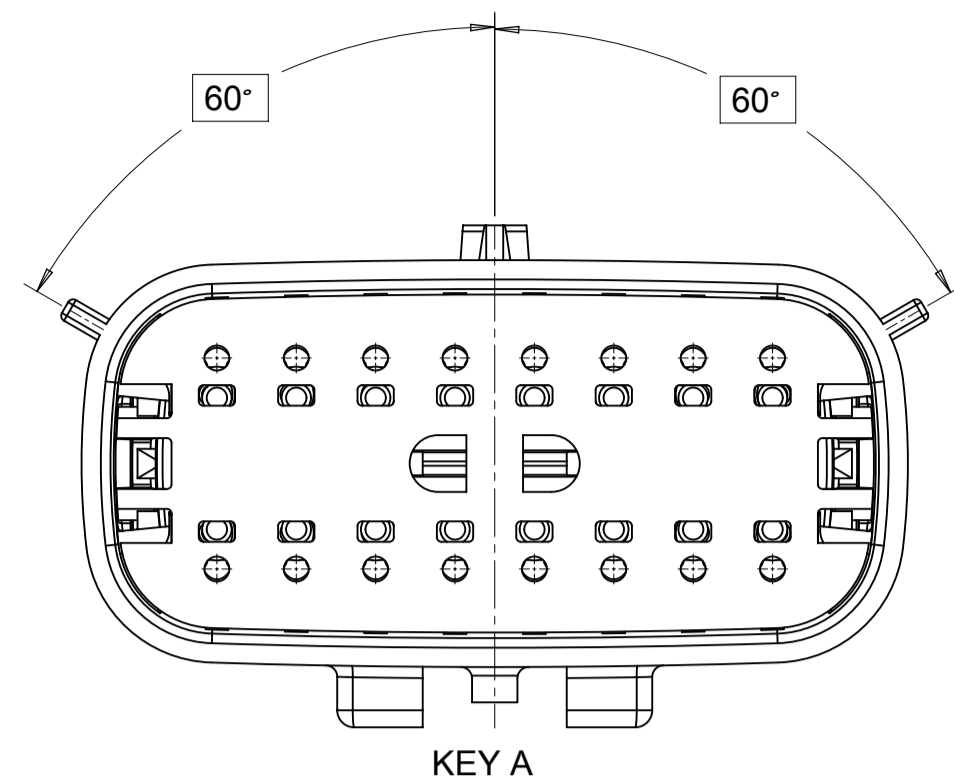


KEY C

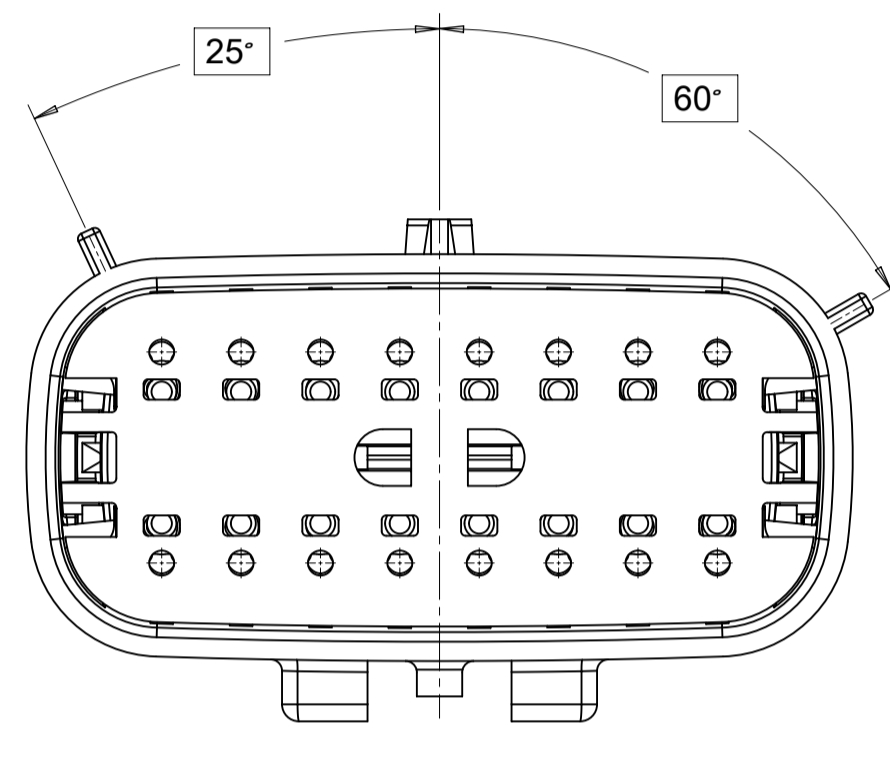


KEY D

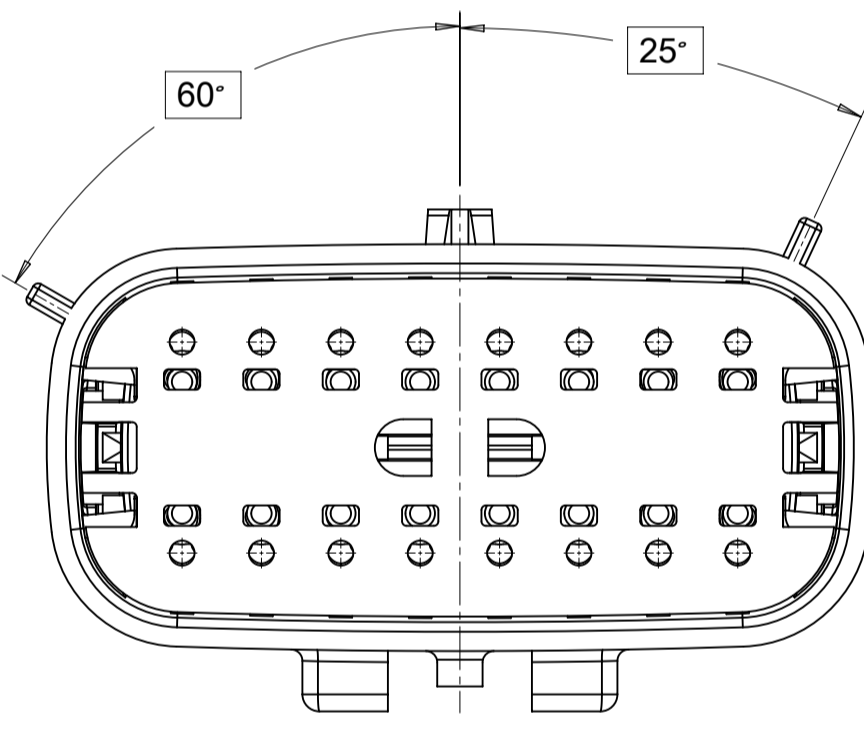
2X8



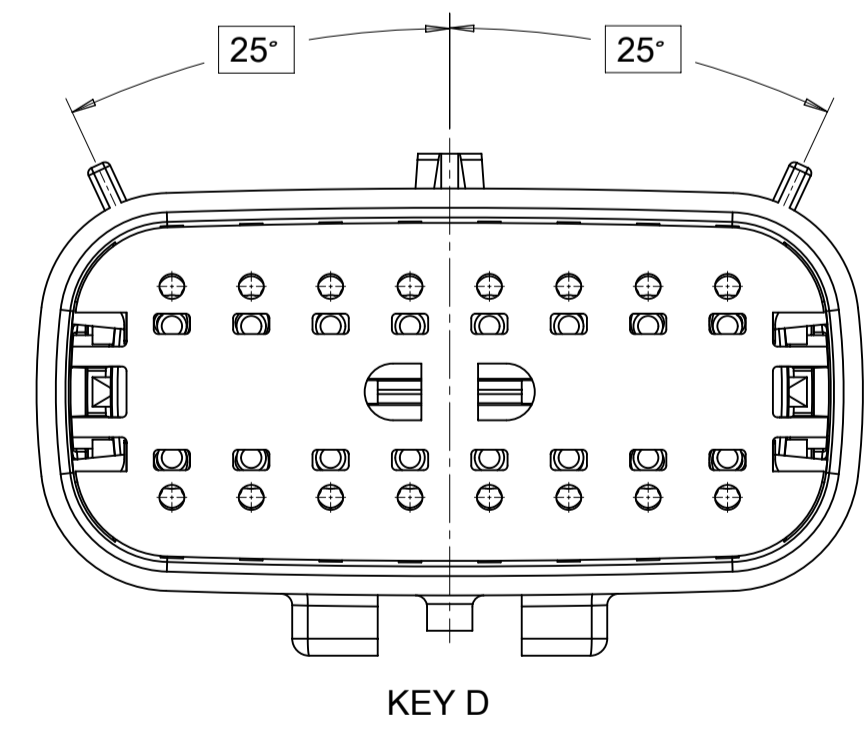
KEY A



KEY B

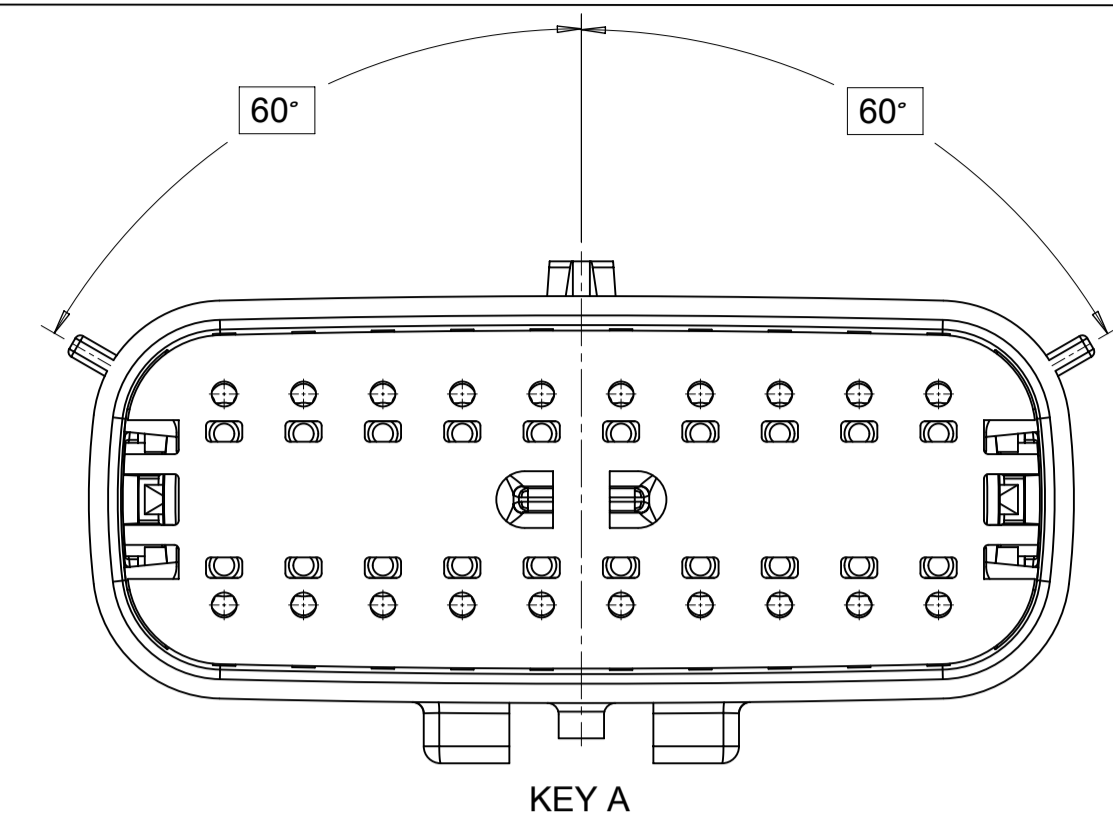


KEY C

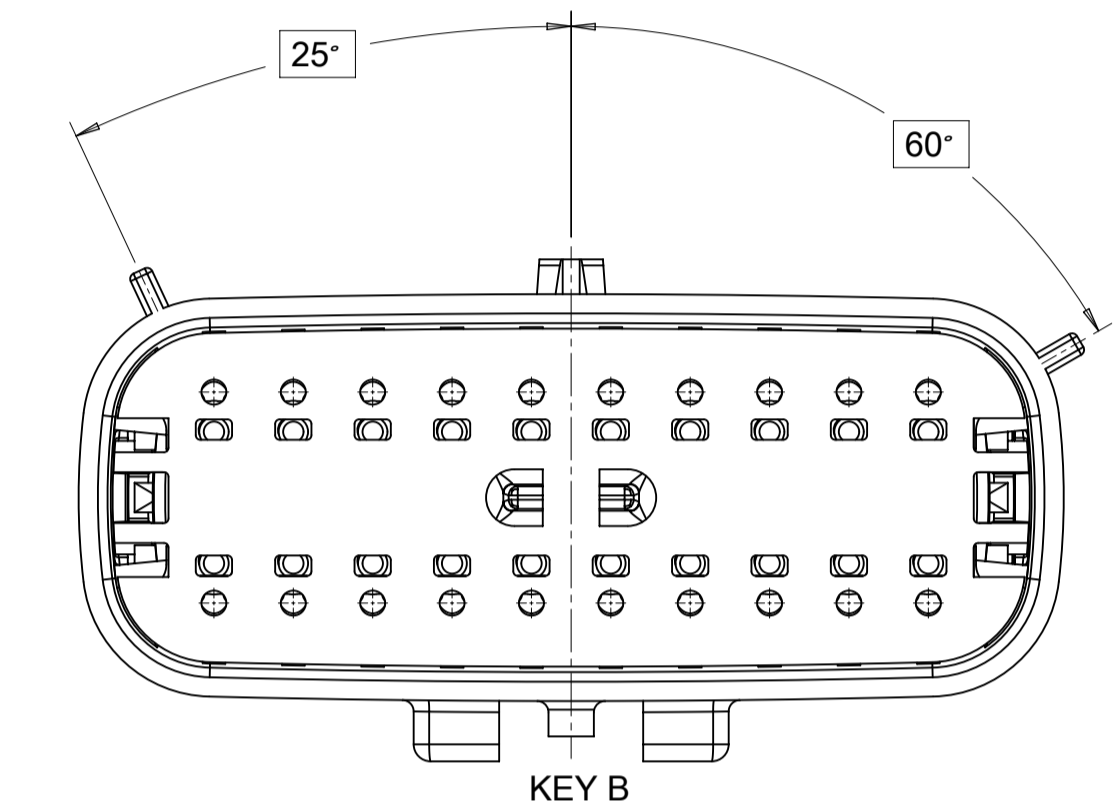


KEY D

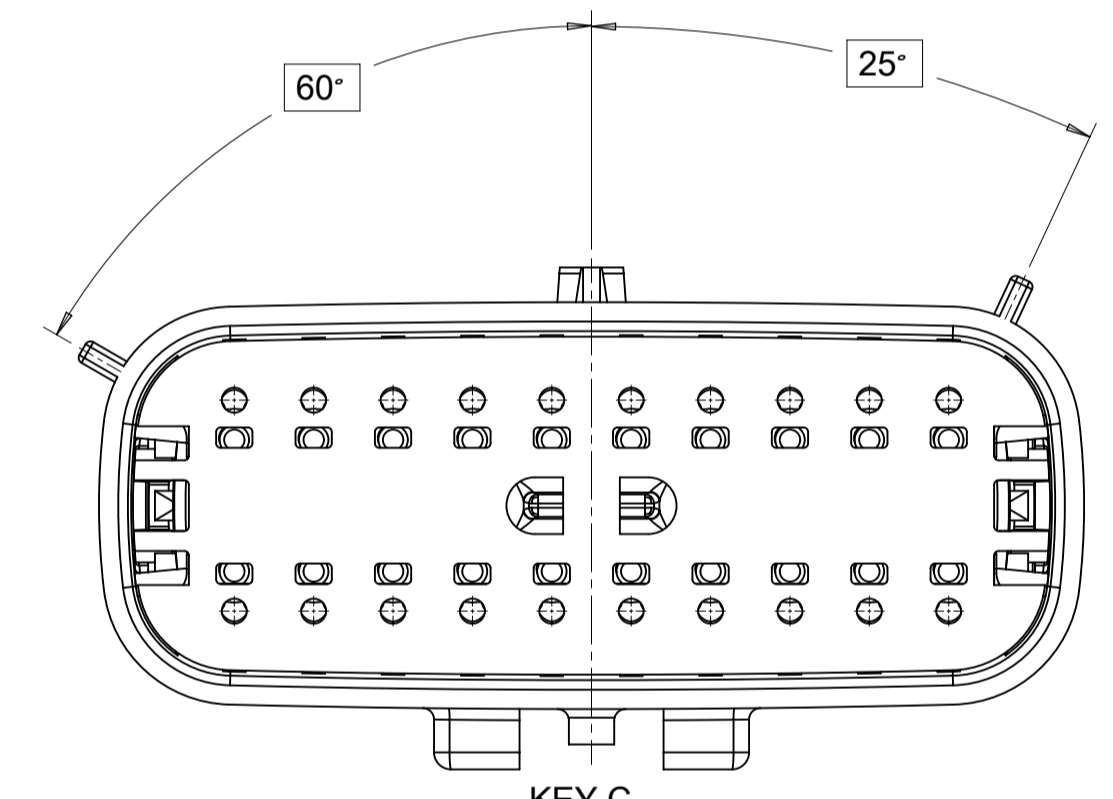
2X10



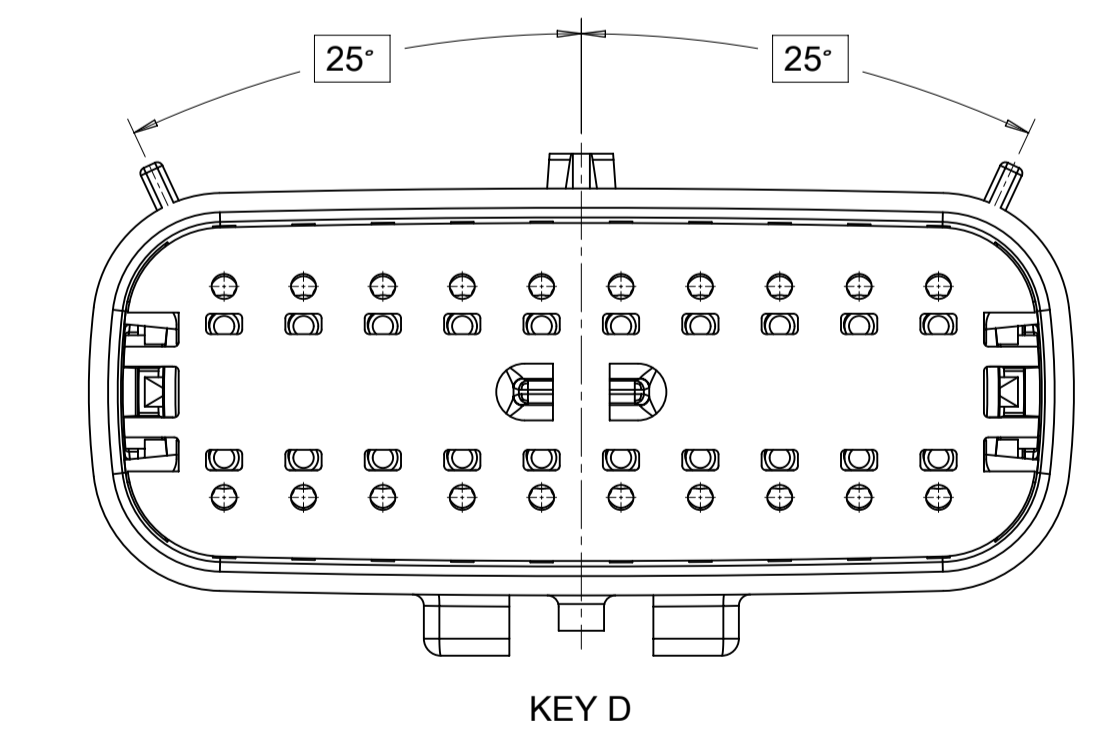
KEY A



KEY B



KEY C

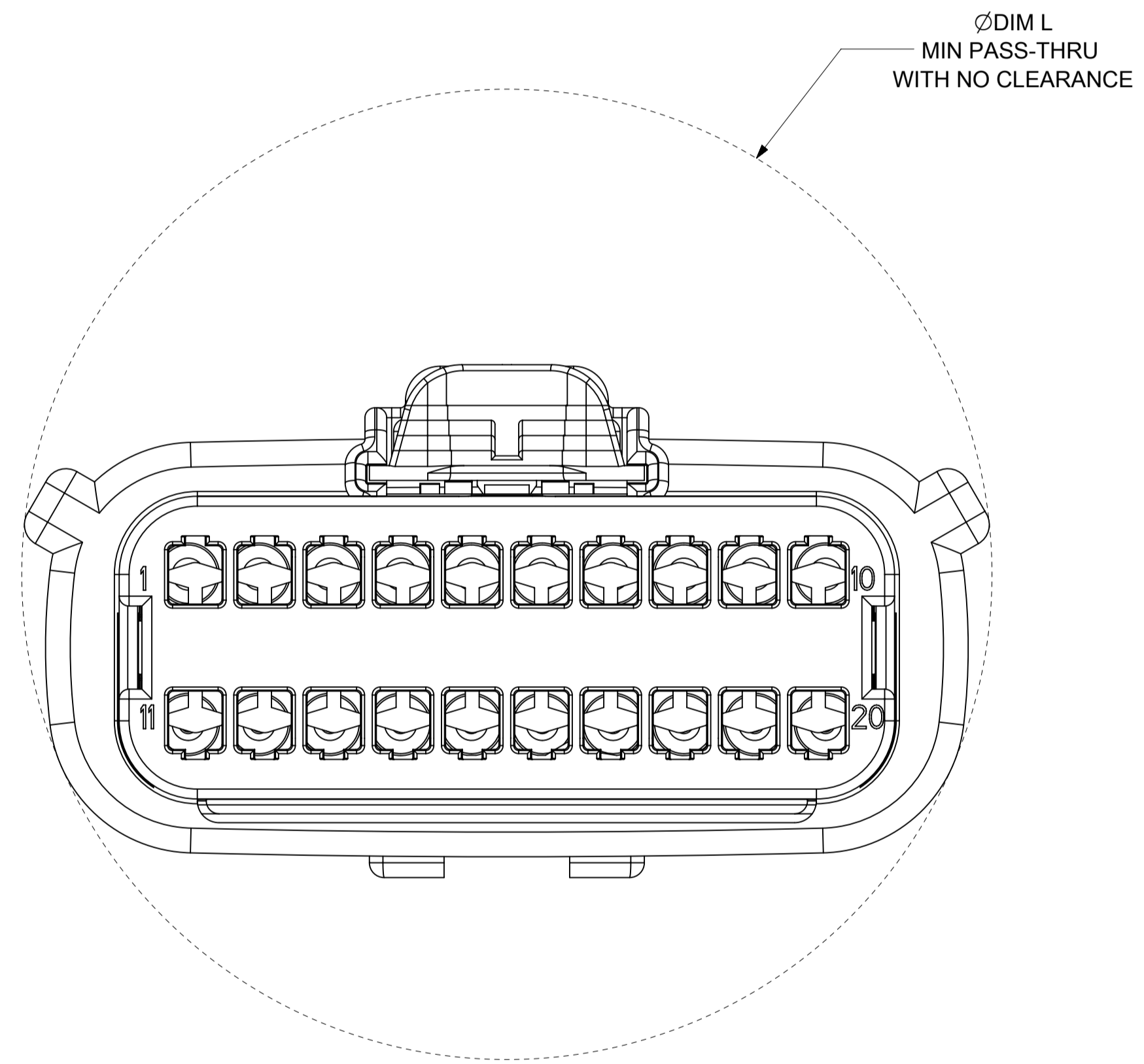
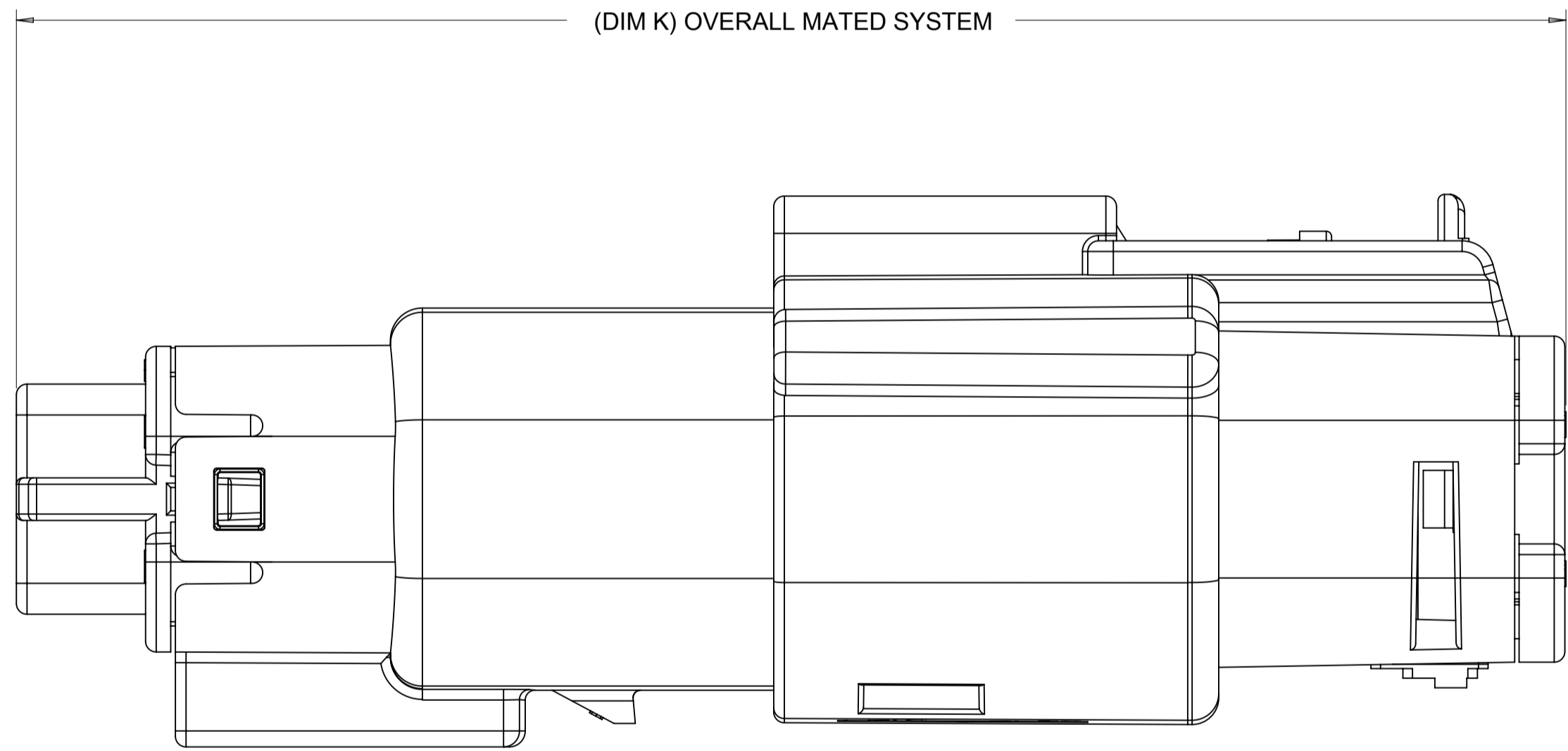


KEY D

| | | | | | |
|--|--|--|--|--------------------------------|--|
| SYMBOLS = 0 = 0 = 0 = 0 = 0 = 0 = 0 = 0 = 0 = 0 | THIS DRAWING CONTAINS INFORMATION THAT IS PROPRIETARY TO MOLEX ELECTRONIC TECHNOLOGIES, LLC AND SHOULD NOT BE USED WITHOUT WRITTEN PERMISSION DIMENSION UNITS: mm SCALE: 3:1 | CURRENT REV DESC: EC NO: 171650 DRWN: PMANJUNATHAC 2018/01/03 CHK'D: MVANSLAMBROU 2018/02/16 APPR: MVANSLAMBROU 2018/02/16 | MX150 BLADE DUAL ROW SEALED ASSEMBLY MAT SEAL | | |
| | GENERAL TOLERANCES (UNLESS SPECIFIED) ANGULAR TOL ± 1.0° 4 PLACES ± 3 PLACES ± 2 PLACES ± 0.1 1 PLACE ± 0.2 0 PLACES ± | INITIAL REVISION: DRWN: APROFFITT 2014/04/28 APPR: VKOSHY 2014/05/14 | | | |
| DRAFT WHERE APPLICABLE MUST REMAIN WITHIN DIMENSIONS | THIRD ANGLE PROJECTION | DRAWING: A1-SIZE SERIES: 33482 | MATERIAL NUMBER CUSTOMER: GENERAL MARKET | SHEET NUMBER 4 OF 11 | |

SHEET DESCRIPTION
SYSTEM PACKAGING

| CHARTED DIMENSION | | | | |
|-------------------|---------------------|--------------------------|------------|-------|
| CKT | BLADE CONFIGURATION | RECEPTACLE CONFIGURATION | DIMENSIONS | |
| | | | K | L |
| 2X2 | STANDARD | W/O CLIPSLOT | 72.78 | 28.00 |
| | | W/ CLIPSLOT | 72.78 | 28.50 |
| | | LENGTHENED | 77.21 | 28.00 |
| 2X3 | STANDARD | W/O CLIPSLOT | 72.78 | 28.00 |
| | | W/ CLIPSLOT | | 30.50 |
| | LENGTHENED | W/O CLIPSLOT | 74.79 | 28.00 |
| | | W/ CLIPSLOT | | 30.50 |
| 2X4 | STANDARD | W/O CLIPSLOT | 72.78 | 29.50 |
| | | W/ CLIPSLOT | | 31.50 |
| 2X6 | STANDARD | W/O CLIPSLOT | 72.79 | 35.58 |
| | | W/ CLIPSLOT | | |
| 2X8 | STANDARD | W/O CLIPSLOT | 72.67 | 42.25 |
| | | W/ CLIPSLOT | | |
| 2X10 | STANDARD | STANDARD | 72.78 | 49.05 |



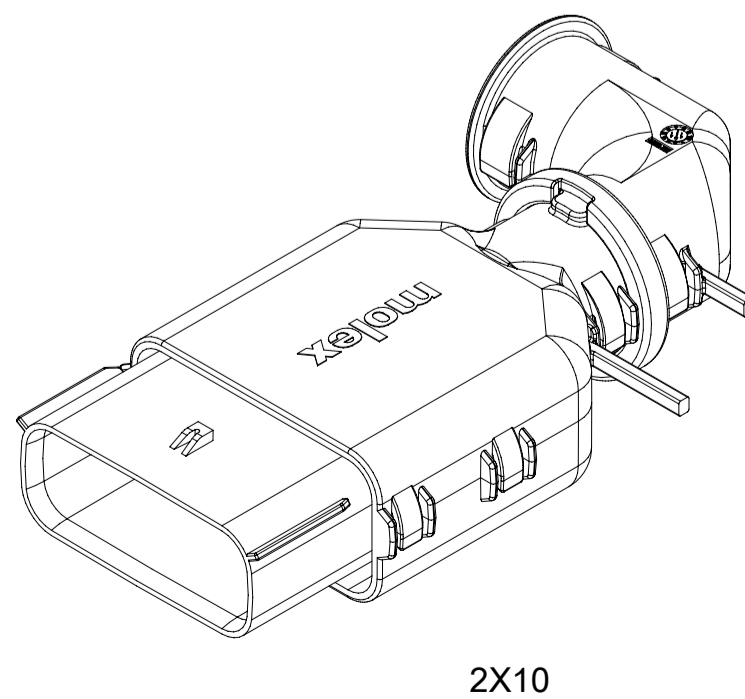
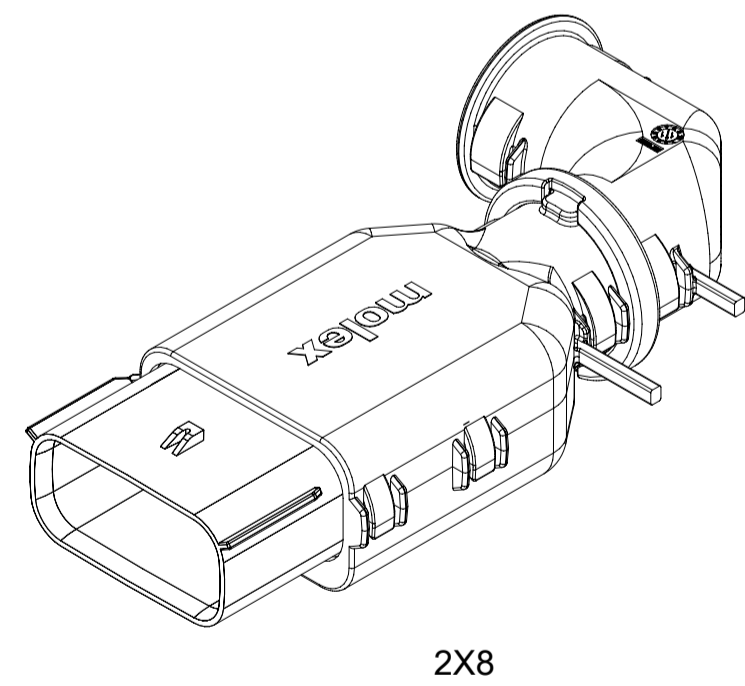
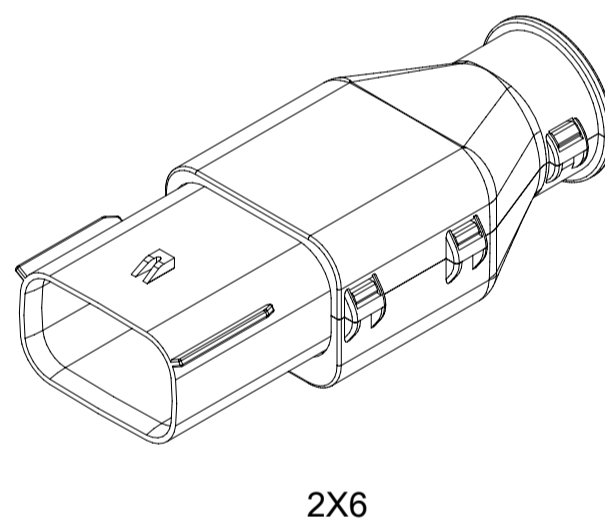
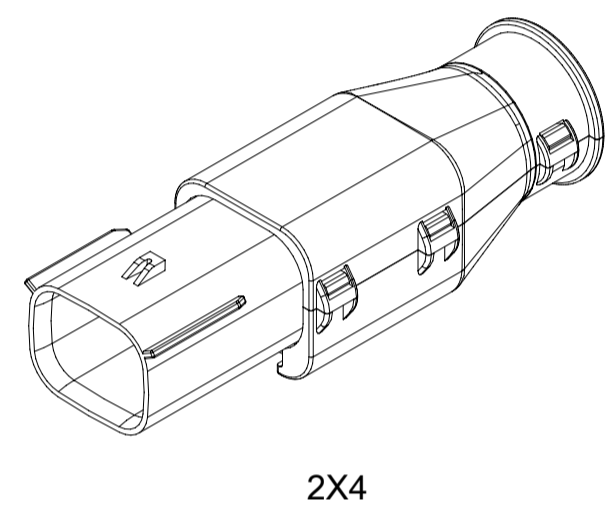
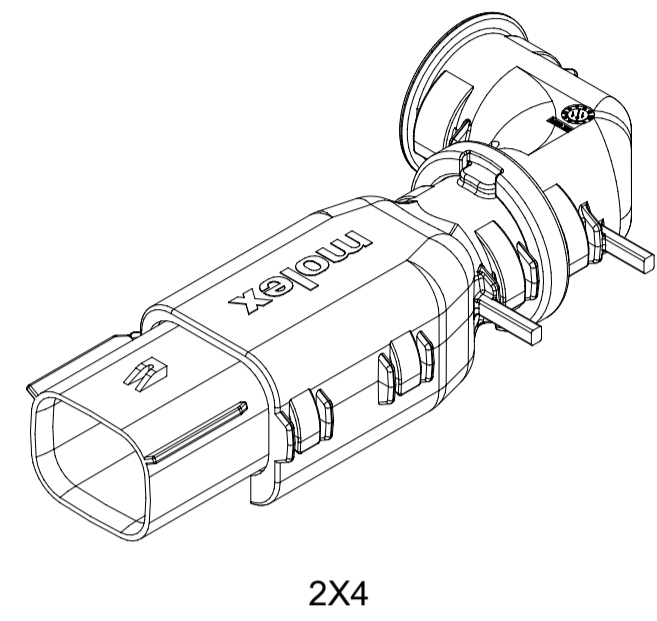
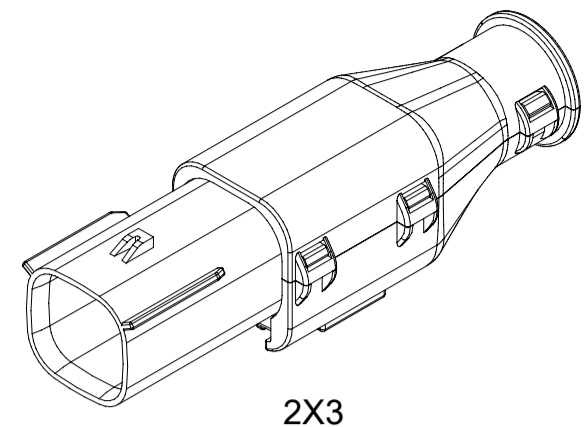
| | | | | | | | | | | |
|--|---|-----------------|---|-------------------|--|--|--|--------------------------|--|--|
| SYMBOLS ▽ = 0 ▽ = 0 ▽ = 0 ▽ = 0 ▽ = 0 ▽ = 0 ▽ = 0 ▽ = 0 ▽ = 0 ▽ = 0 | THIS DRAWING CONTAINS INFORMATION THAT IS PROPRIETARY TO MOLEX ELECTRONIC TECHNOLOGIES, LLC AND SHOULD NOT BE USED WITHOUT WRITTEN PERMISSION | DIMENSION UNITS | SCALE | CURRENT REV DESC: | | | | | | |
| | mm | 4:1 | EC NO: 171650 DRWN: PMANJUNATHAC 2018/01/03 CHK'D: MVANSLAMBROU 2018/02/16 APPR: MVANSLAMBROU 2018/02/16 | | | | | | | |
| | GENERAL TOLERANCES (UNLESS SPECIFIED) | | | | INITIAL REVISION: DRWN: APROFFITT 2014/04/28 APPR: VKOSHY 2014/05/14 | | | PRODUCT CUSTOMER DRAWING | | |
| | ANGULAR TOL ± 1.0° | | | | | | | DOCUMENT NUMBER | | |
| | 4 PLACES ± | | | | SD-33482-0001 | | | PSD 001 E2 | | |
| | 3 PLACES ± | | | | | | | | | |
| | 2 PLACES ± 0.1 | | | | MATERIAL NUMBER | | | CUSTOMER | | |
| | 1 PLACE ± 0.2 | | | | DRAWING | | | SHEET NUMBER | | |
| | 0 PLACES ± | | | | SERIES | | | GENERAL MARKET | | |
| | DRAFT WHERE APPLICABLE MUST REMAIN WITHIN DIMENSIONS | | | | THIRD ANGLE PROJECTION | | | 6 OF 11 | | |
| | | | | A1-SIZE | | | | | | |
| | | | | 33482 | | | | | | |

SHEET DESCRIPTION
BACKSHELL NOTES

BACKSHELL NOTES: VALID UNLESS OTHERWISE SPECIFIED

1. GENERAL:

- a. APPLICATION SPECIFICATION SEE: AS-34951-001
- DESIGNED TO MATE WITH BLADE SEALED ASSEMBLY SPECIFIED IN MOLEX DRAWING SD-33482-0001.
- SYSTEM TO BE USED WITH WIRE WITHIN DIAMETER RANGE OF 1.2mm TO 2.69mm.
- COMPONENTS ARE OPTIONAL AND MUST BE PURCHASED SEPERATELY.
- DESIGN IS OWNED BY SCHLEMMER FOR SCHLEMMER BACKSHELL.
- DESIGN IS OWNED BY MOLEX FOR MOLEX BACKSHELL.
- 90° ADAPTOR DESIGN IS OWNED BY MOLEX.
- FOR ADDITIONAL INFORMATION SEE THE BACKSHELL COMPONENT DRAWING SD-34950-0001.



BACKSHELL CUSTOMER MODEL NUMBER LEGEND

34950-XXXX

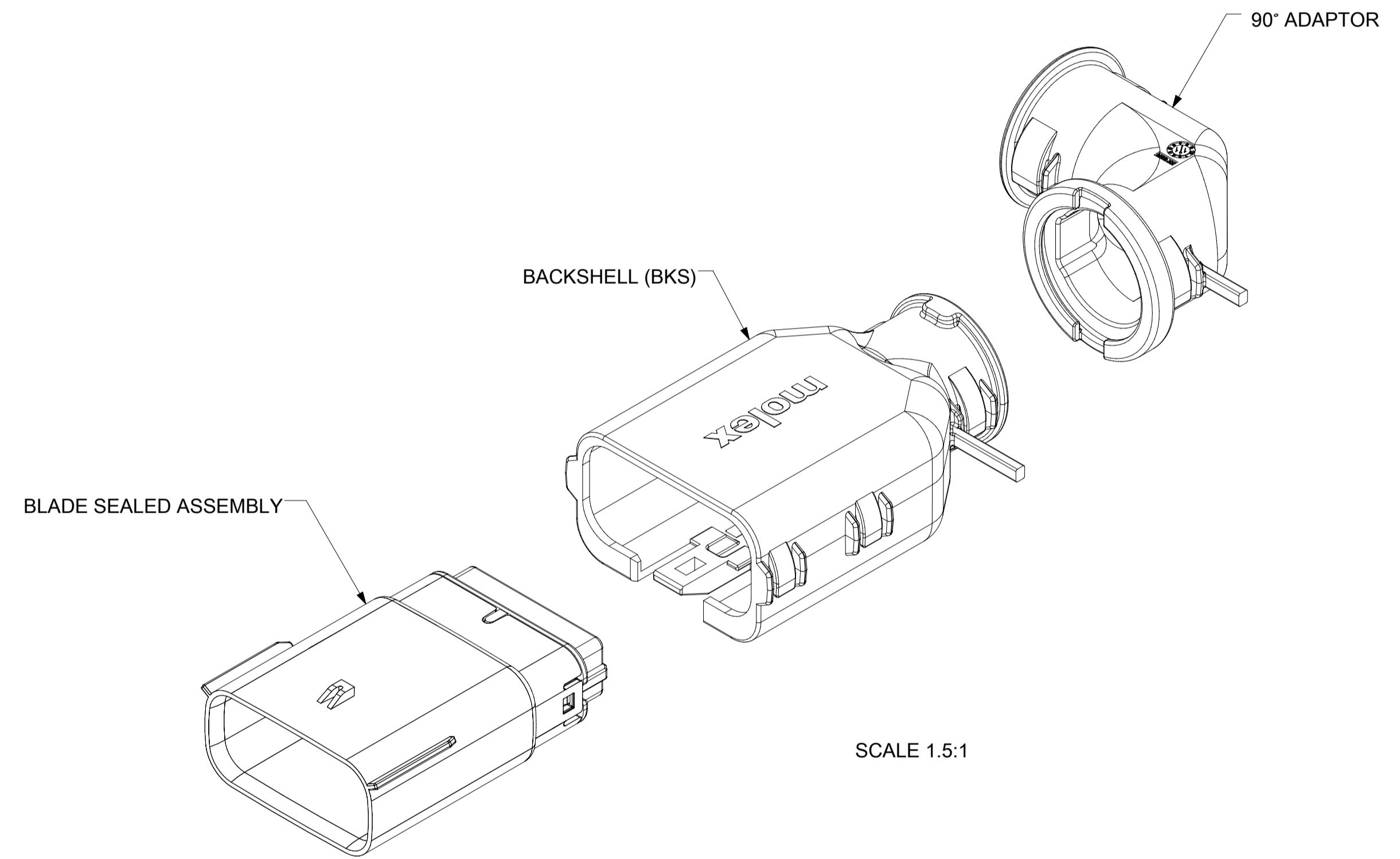
CUSTOMER MODEL COMPONENTS

- 0 - SCHLEMMER BACKSHELL ONLY
- 1 - SCHLEMMER BACKSHELL & MX150 HOUSING KEY A ASSEMBLY
- 2 - SCHLEMMER BACKSHELL & MX150 HOUSING KEY B ASSEMBLY
- 3 - SCHLEMMER BACKSHELL & MX150 HOUSING KEY C ASSEMBLY
- 4 - SCHLEMMER BACKSHELL & MX150 HOUSING KEY D ASSEMBLY
- 5 - MOLEX BACKSHELL ONLY
- 6 - MOLEX BACKSHELL & MX150 HOUSING KEY A ASSEMBLY
- 7 - MOLEX BACKSHELL & MX150 HOUSING KEY B ASSEMBLY
- 8 - MOLEX BACKSHELL & MX150 HOUSING KEY C ASSEMBLY
- 9 - MOLEX BACKSHELL & MX150 HOUSING KEY D ASSEMBLY

BACKSHELL FEATURES

- 1 - WITH RIBS
- 2 - WITHOUT RIBS
- 3 - 90° ADAPTOR

MX150 CIRCUIT SIZE 04, 06, 08, 12, 16, 20



| | | | | | | | |
|---------|---|-------|--|--------------------------------|----------|---------|--------------|
| SYMBOLS | THIS DRAWING CONTAINS INFORMATION THAT IS PROPRIETARY TO MOLEX ELECTRONIC TECHNOLOGIES, LLC AND SHOULD NOT BE USED WITHOUT WRITTEN PERMISSION | | CURRENT REV DESC: | | | | |
| | DIMENSION UNITS | SCALE | | | | | |
| ▽ = 0 | mm | 1.5:1 | GENERAL TOLERANCES (UNLESS SPECIFIED) | CHK'D: MVANSLAMBROU 2018/02/16 | PSD | 001 | E2 |
| ▽ = 0 | ANGULAR TOL ± 1.0° | | APPR: MVANSLAMBROU 2018/02/16 | PRODUCT CUSTOMER DRAWING | | | |
| ▽ = 0 | 4 PLACES ± | | INITIAL REVISION: | DOCUMENT NUMBER | | | |
| ▽ = 0 | 3 PLACES ± | | DRWN: APROFFITT 2014/04/28 | SD-33482-0001 | CUSTOMER | | |
| ▽ = 0 | 2 PLACES ± 0.1 | | APPR: VKOSHY 2014/05/14 | GENERAL MARKET | | | SHEET NUMBER |
| ▽ = 0 | 1 PLACE ± 0.2 | | DRAFT WHERE APPLICABLE MUST REMAIN WITHIN DIMENSIONS | A1-SIZE | | 7 OF 11 | |
| ▽ = 0 | 0 PLACES ± | | THIRD ANGLE PROJECTION | SERIES | | 7 OF 11 | |
| ▽ = 0 | | | | 33482 | | | |

