

MATERIAL NUMBER	# OF COLUMNS	# OF DIFF PAIR	DIM "A" MAX	DIM "B"
76450-*10*	10	20	26.60	17.10
76450-*60*	16	32	38.00	28.50

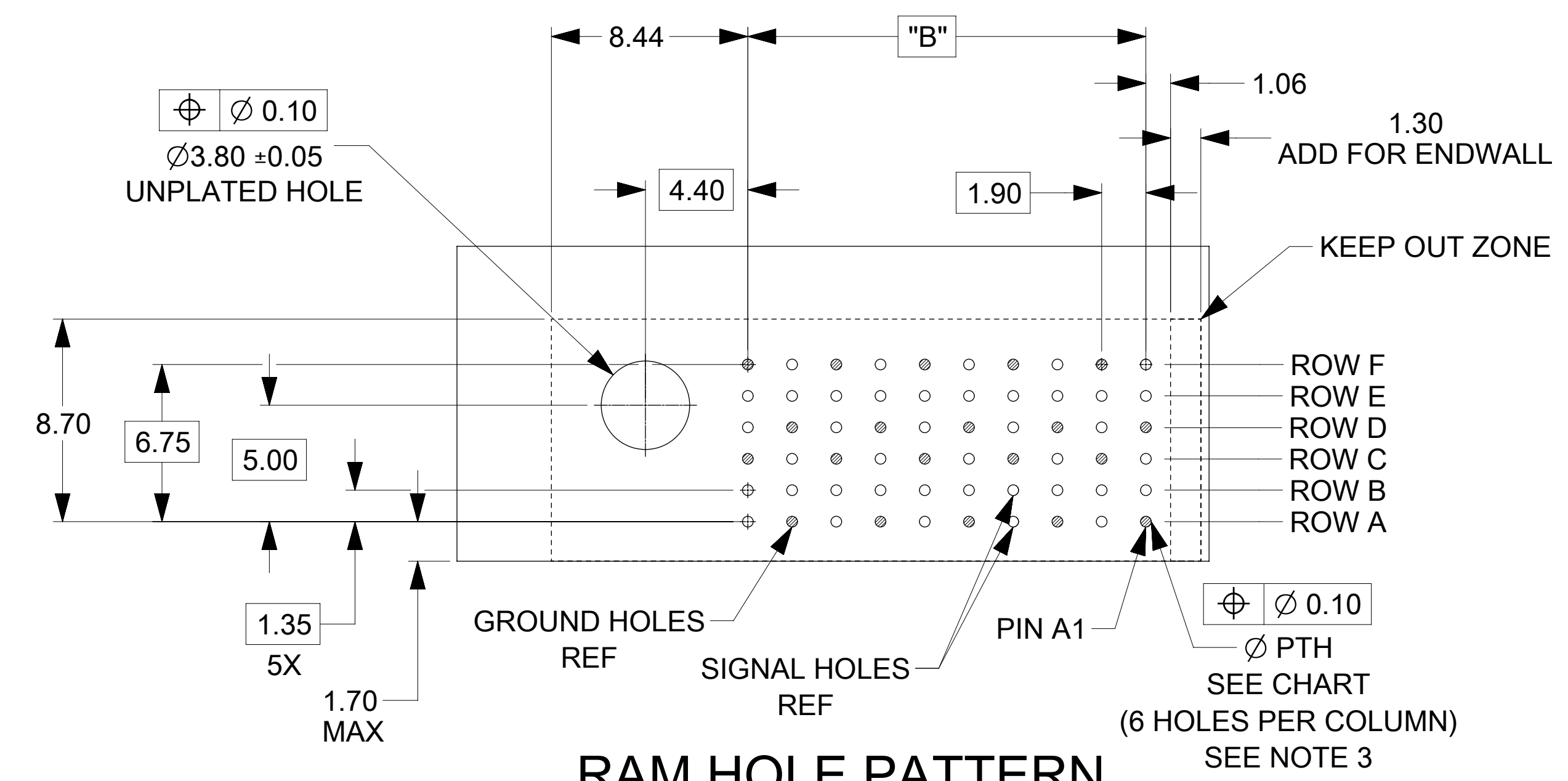
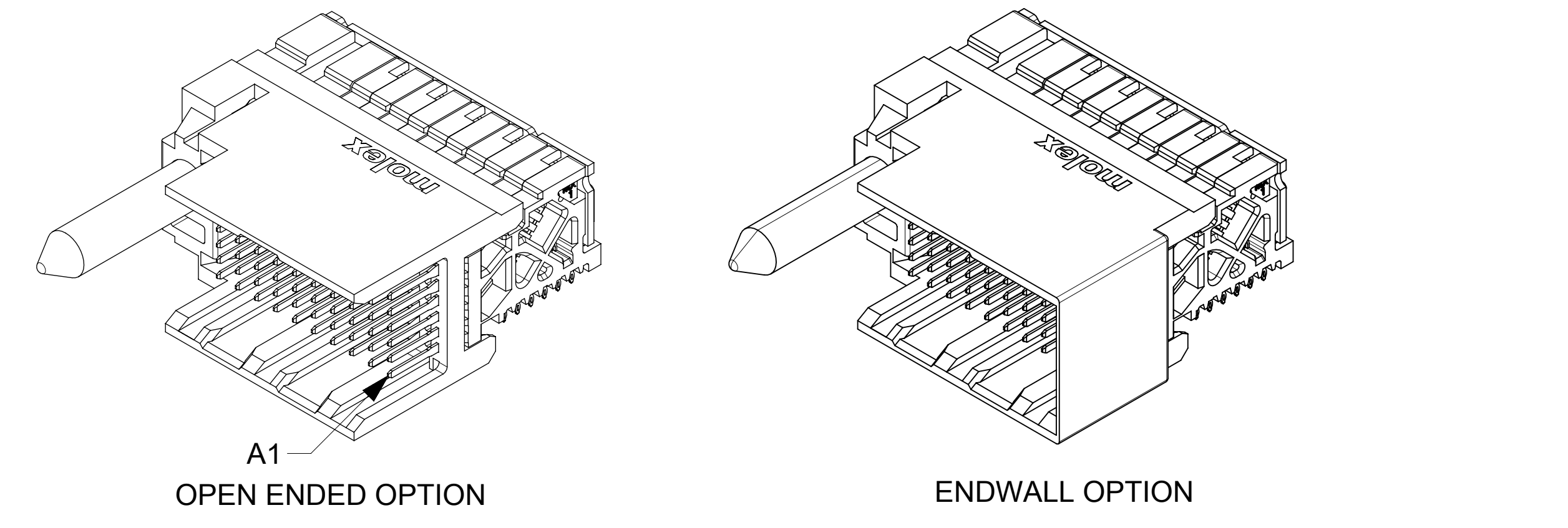
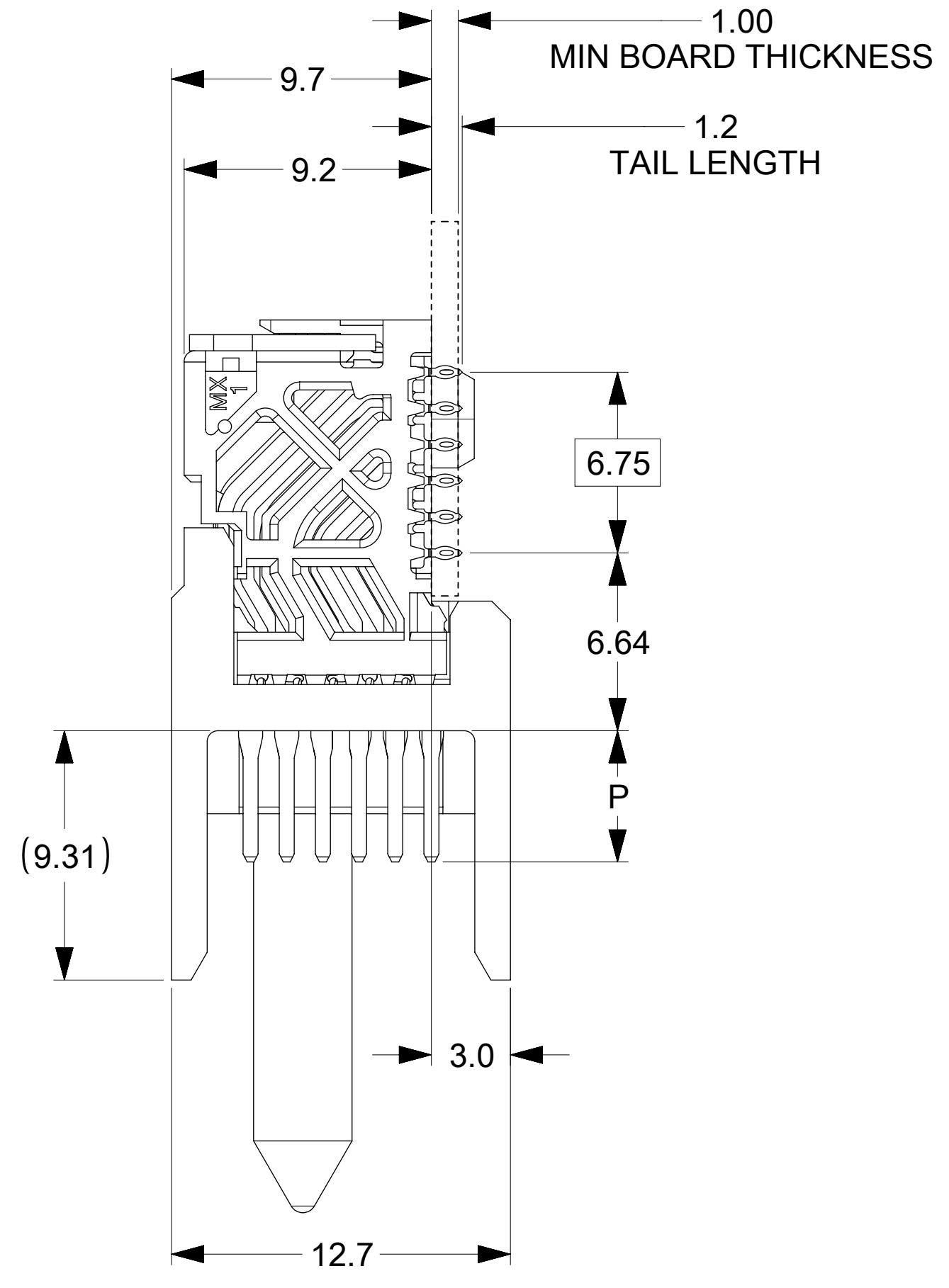
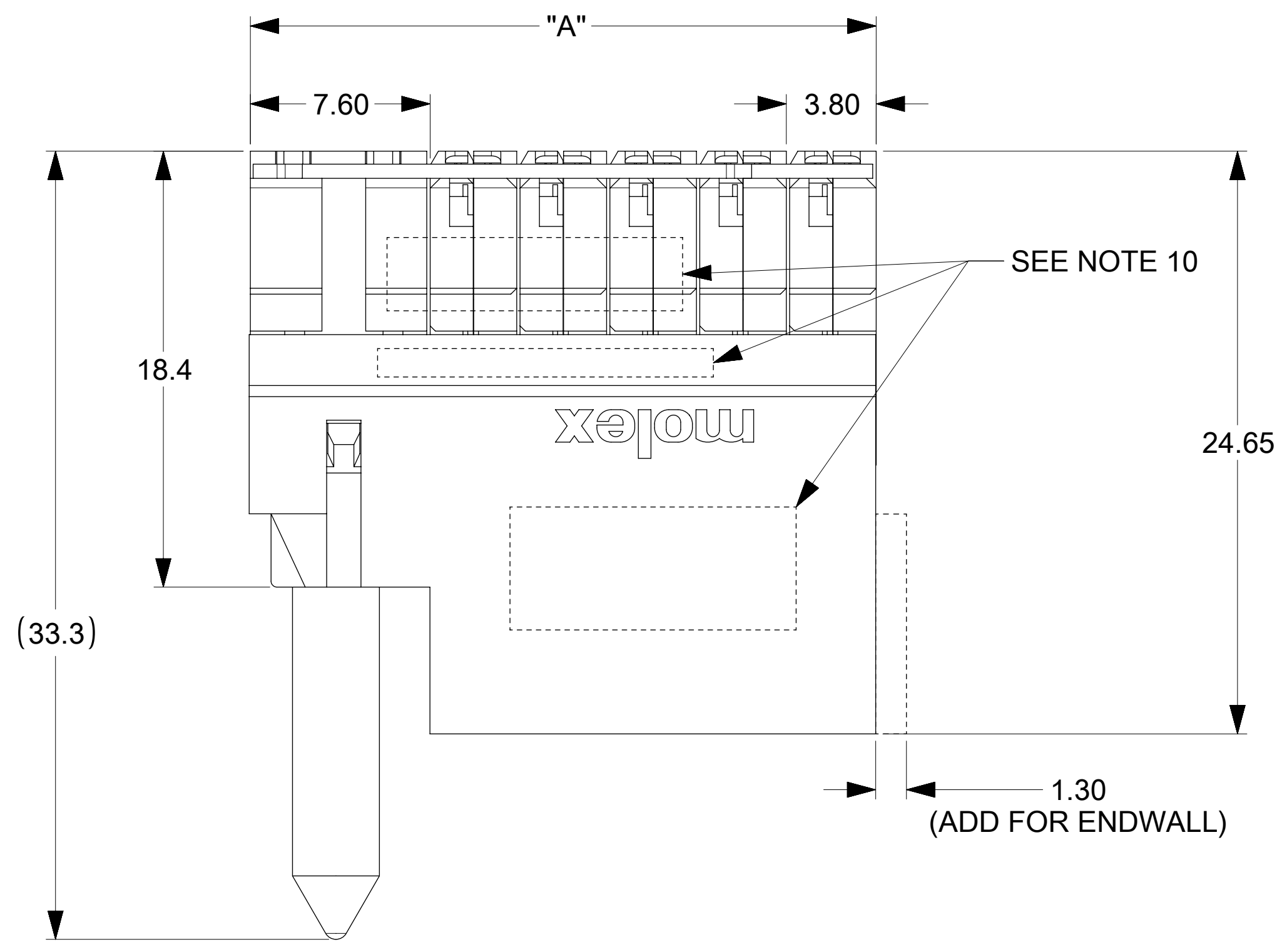
76450-0***

MODULE TYPE
 3 = LEFT GUIDED LEAD-FREE
 7 = LEFT GUIDED LEAD-FREE W/ ENDWALL

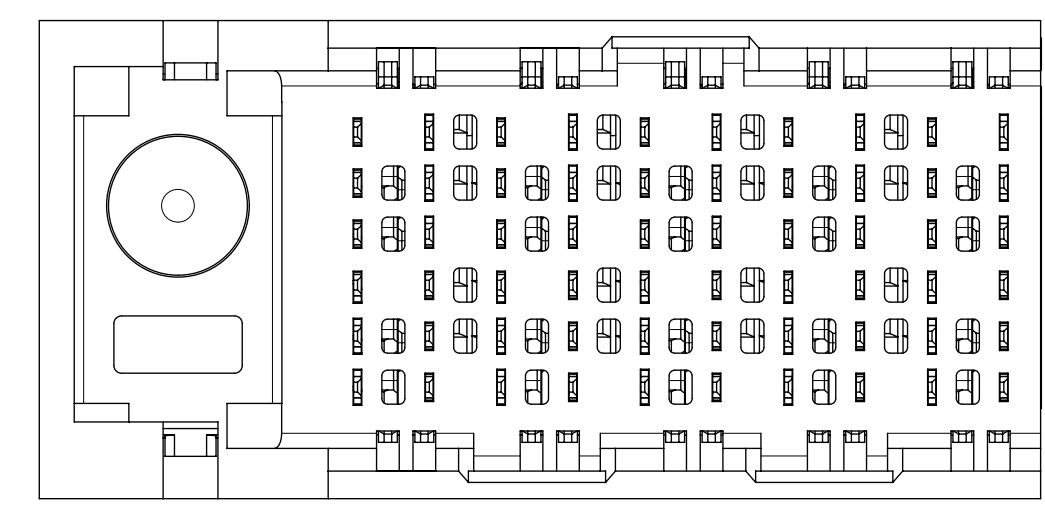
PIN LENGTH (P)
 4 = 4.90 (0.46 PTH)
 5 = 5.50 (0.46 PTH)
 7 = 4.90 (0.39 PTH)
 8 = 5.50 (0.39 PTH)

OF COLUMNS
 1 = 10 COL
 6 = 16 COL

- NOTES:
- MATERIALS: HOUSING - LIQUID CRYSTAL POLYMER (LCP), GLASS-FILLED, UL94V-0
 TERMINALS - HIGH PERFORMANCE COPPER ALLOY
 - FINISH: 30µin SELECTIVE GOLD IN CONTACT AREA, SELECTIVE TIN ON PCB TAILS, NICKEL OVERALL.
 - FOR FURTHER INFORMATION SEE PRODUCT SPECIFICATION PS-76060-999..
 - EACH SIGNAL WAFER CONTAINS 2 COLUMNS OF TERMINALS.
 - PRODUCT TO BE PACKAGED PER PACKAGING SPECIFICATION PK-70873-077.
 - THIS PART CONFORMS TO CLASS B REQUIREMENTS OF COSMETIC SPEC PS-45499-002.
 - REFER TO MOLEX SALES DRAWING SD-76460-004 FOR MATING DAUGHTERCARDS.
 - REFER TO MOLEX PCB ROUTING GUIDE AS-76060-990 FOR ANTIPAD AND ROUTING RECOMMENDATIONS.
 - WHEN USING MOLEX SUPPLIED #2-32 SCREW 73726-0005 (7.62 +0.38/-0.76 mm THREADABLE SCREW LENGTH), THE BOARD THICKNESS RANGE IS 1.60 TO 3.85 mm.
 - MARKING: LOCATED APPROXIMATELY AS SHOWN. PART NUMBER AND DATE CODE.

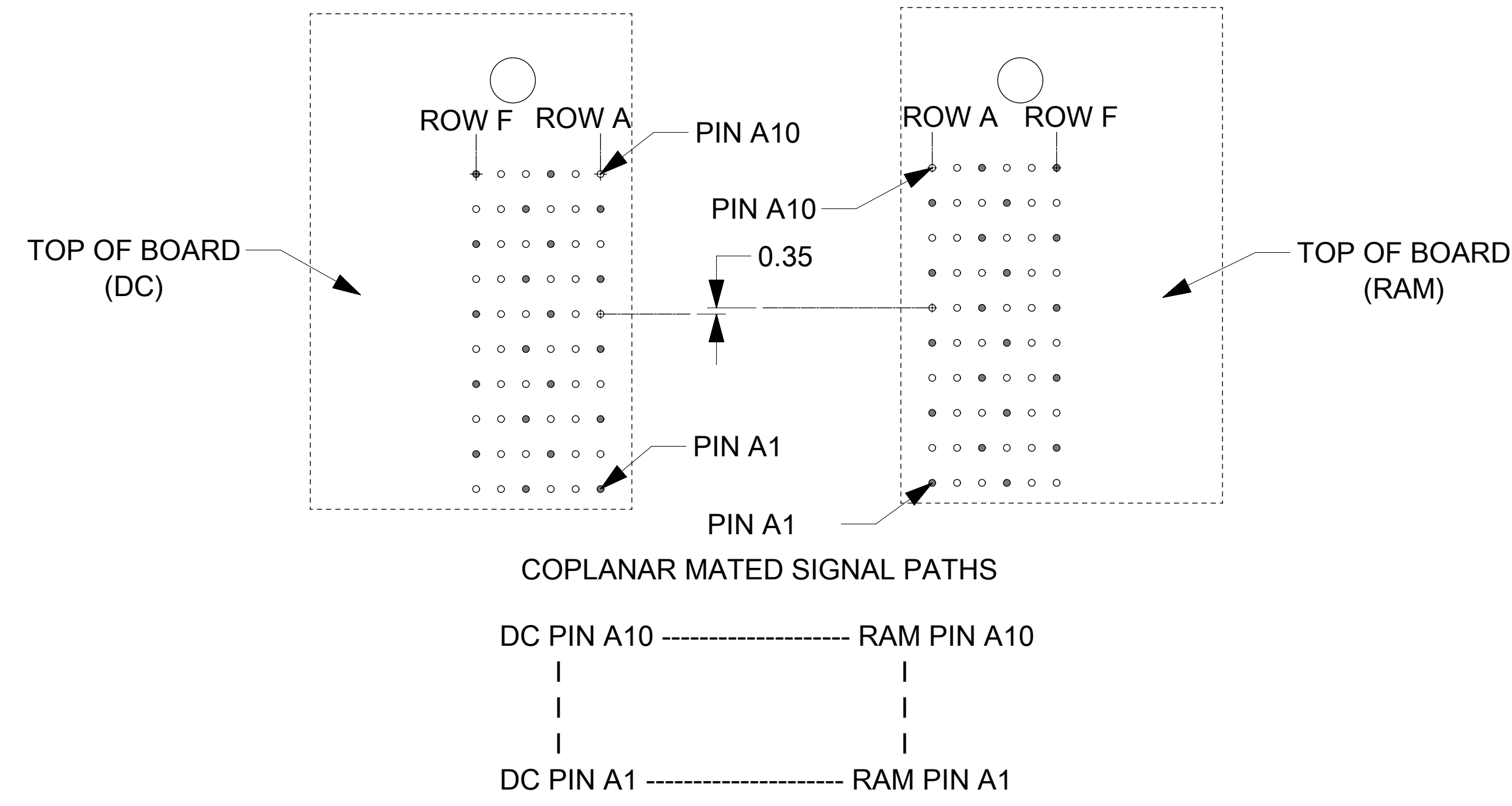
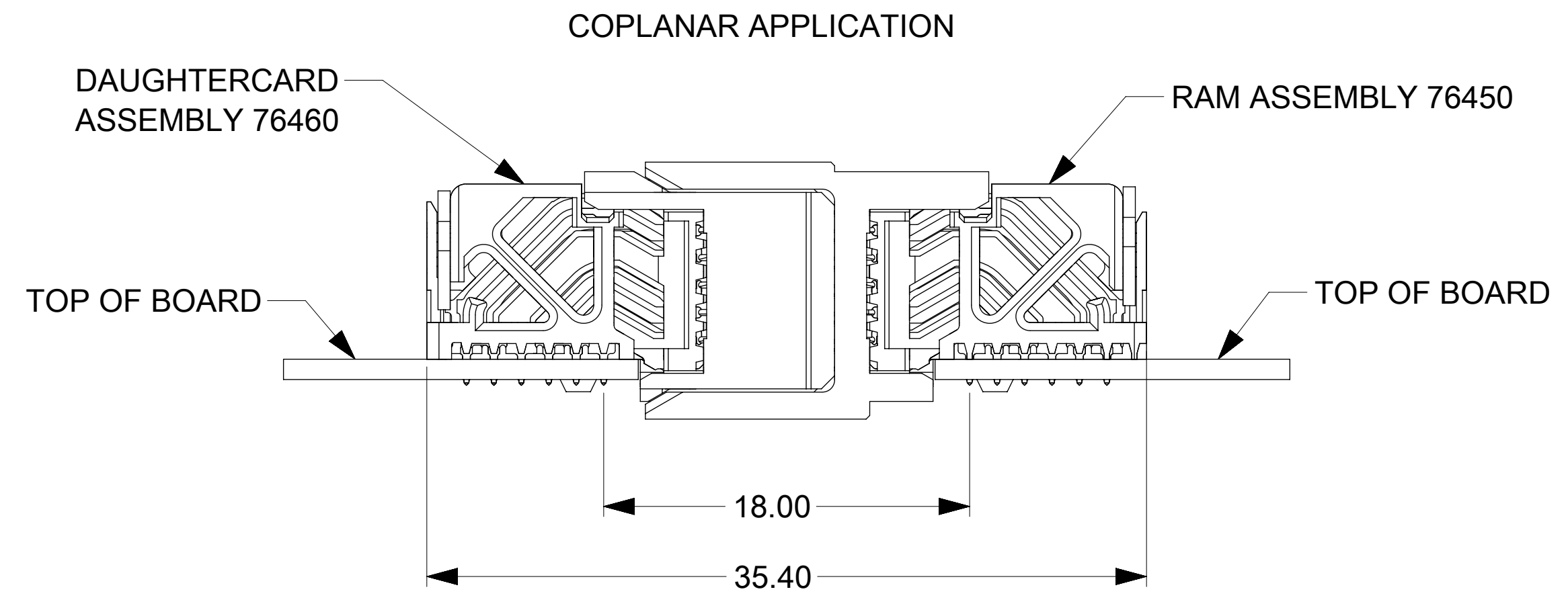


**RAM HOLE PATTERN
(CONNECTOR SIDE)**



THIS DRAWING CONTAINS INFORMATION THAT IS PROPRIETARY TO MOLEX ELECTRONIC TECHNOLOGIES, LLC AND SHOULD NOT BE USED WITHOUT WRITTEN PERMISSION

DIMENSION UNITS mm	SCALE NTS	CURRENT REV DESC: MIGRATED TO NX		molex	
GENERAL TOLERANCES (UNLESS SPECIFIED)		EC NO: 705090			
ANGULAR TOL	± 0.5°	DRWN: PSHANKARACHA	2019/03/13	PRODUCT CUSTOMER DRAWING	
4 PLACES	±	CHK'D: VINODM3	2022/03/31	DOCUMENT NUMBER	DOC TYPE DOC PART REVISION
3 PLACES	±	APPR: LZENG	2022/05/13	SD-76450-002	PSD 001 B7
2 PLACES	± 0.13	INITIAL REVISION:		MATERIAL NUMBER CUSTOMER SHEET NUMBER	
1 PLACE	± 0.25	DRWN: MCARRANZA	2008/02/21	SEE TABLE	GENERAL MARKET
0 PLACES	±	APPR: JLAURX	2009/04/17	1 OF 2	
DRAFT WHERE APPLICABLE MUST REMAIN WITHIN DIMENSIONS		THIRD ANGLE PROJECTION	DRAWING	SERIES	
			D-SIZE	76450	



THIS DRAWING CONTAINS INFORMATION THAT IS PROPRIETARY TO MOLEX ELECTRONIC TECHNOLOGIES, LLC AND SHOULD NOT BE USED WITHOUT WRITTEN PERMISSION																	
DIMENSION UNITS		SCALE		CURRENT REV DESC: MIGRATED TO NX													
mm		NTS		<p style="text-align: center;">molex</p> <p style="text-align: center;">IMPACT 100 OHM 2 PAIR RAM LEFT GUIDED SALES DRAWING</p> <p style="text-align: center;">PRODUCT CUSTOMER DRAWING</p> <table border="1" style="width: 100%;"> <tr> <td>DOCUMENT NUMBER</td> <td>DOC TYPE</td> <td>DOC PART</td> <td>REVISION</td> </tr> <tr> <td style="text-align: center;">SD-76450-002</td> <td style="text-align: center;">PSD</td> <td style="text-align: center;">001</td> <td style="text-align: center;">B7</td> </tr> </table>						DOCUMENT NUMBER	DOC TYPE	DOC PART	REVISION	SD-76450-002	PSD	001	B7
DOCUMENT NUMBER	DOC TYPE	DOC PART	REVISION														
SD-76450-002	PSD	001	B7														
GENERAL TOLERANCES (UNLESS SPECIFIED)																	
ANGULAR TOL	±	0.5°															
4 PLACES	±																
3 PLACES	±																
2 PLACES	±	0.13															
1 PLACE	±	0.25															
0 PLACES	±																
DRAFT WHERE APPLICABLE MUST REMAIN WITHIN DIMENSIONS		THIRD ANGLE PROJECTION		DRAWING		SERIES		MATERIAL NUMBER									
				D-SIZE		76450		SEE TABLE									
DOCUMENT STATUS		RELEASE DATE		CUSTOMER		SHEET NUMBER											
P1		2022/05/13 03:06:33		GENERAL MARKET		2 OF 2											