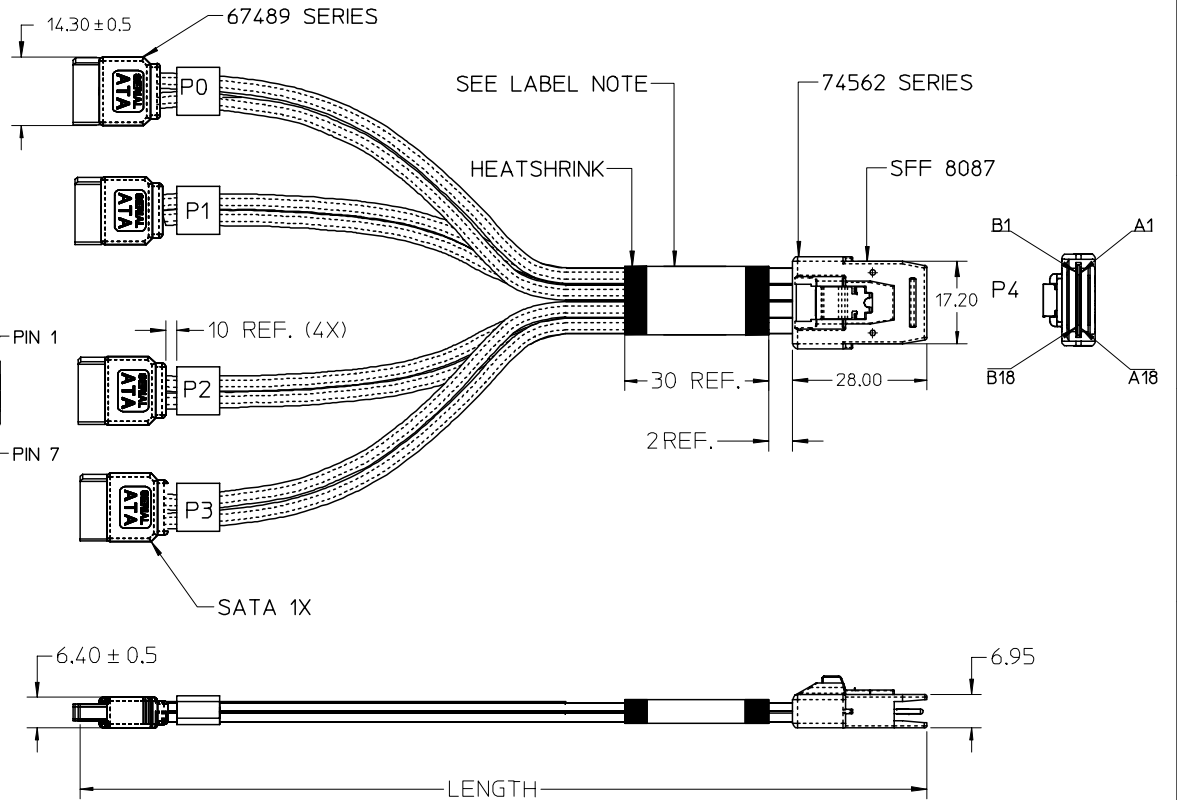


MATERIAL #	APPLICATION	AWG	LENGTH(M)	TOL(+/-)	PIN OUT
79576-3000	IPASS ON BP	30	0.152	0.015	PIN OUT 1
79576-3001	IPASS ON BP	30	0.3	0.015	PIN OUT 1
79576-3002	IPASS ON BP	30	0.5	0.015	PIN OUT 1
79576-3006	IPASS ON BP	30	0.6	0.015	PIN OUT 1
79576-3007	IPASS ON BP	28	1	0.030	PIN OUT 1
79576-3008	IPASS ON CTRL	30	0.152	0.015	PIN OUT 2
79576-3009	IPASS ON CTRL	30	0.3	0.015	PIN OUT 2
79576-3003	IPASS ON CTRL	30	0.5	0.015	PIN OUT 2
79576-3004	IPASS ON CTRL	30	0.6	0.015	PIN OUT 2
79576-3005	IPASS ON CTRL	28	1	0.030	PIN OUT 2
79576-3010	IPASS ON CTRL	28	0.178	0.015	PIN OUT 2
79576-3011	IPASS ON CTRL	28	0.267	0.015	PIN OUT 2
79576-3012	IPASS ON BP	30	0.2	0.015	PIN OUT 1



- NOTES:
- MATERIAL:
 OVER MOLD - POLYBUTYLENE TEREPHTHALATE (PBT), 94-V0,
 GLASS FILLED 30%.
 LATCH - STAINLESS STEEL ALLOY.
 CABLE -
 SIGNALS PVC INSULATION
 SOLID COPPER SIGNAL AND DRAIN.
 INNER DIELECTRIC IS POLYOLEFIN
 TWIN-AX SHIELD IS ALUMINIZED POLYESTER FOIL.
 PCB - FR4
 - PRODUCT TO PERFORM PER
 PRODUCT SPECIFICATION: PS-79536-001.
 - PRODUCT SERIES 74562 MATES TO 75783 (RIGHT ANGLE),
 75784 (VERTICAL).
 - THIS PRODUCT CONFORMS TO THE MECHANICAL
 DIMENSIONING AND ELECTRICAL PERFORMANCE
 REQUIREMENTS OF SFF-8086 AND SFF-8087.
 - MINIMUM RECOMMENDED BEND RADIUS 28 MM.
 - PIN OUT CONFORMS TO SAS 1.1 9.00
 SECTION 5.2.4.1.3.3 F83
 - PRODUCT IS RoHS COMPLIANT.
 - TABLE DETAIL:

IPASS™ IS A TRADEMARK OF MOLEX

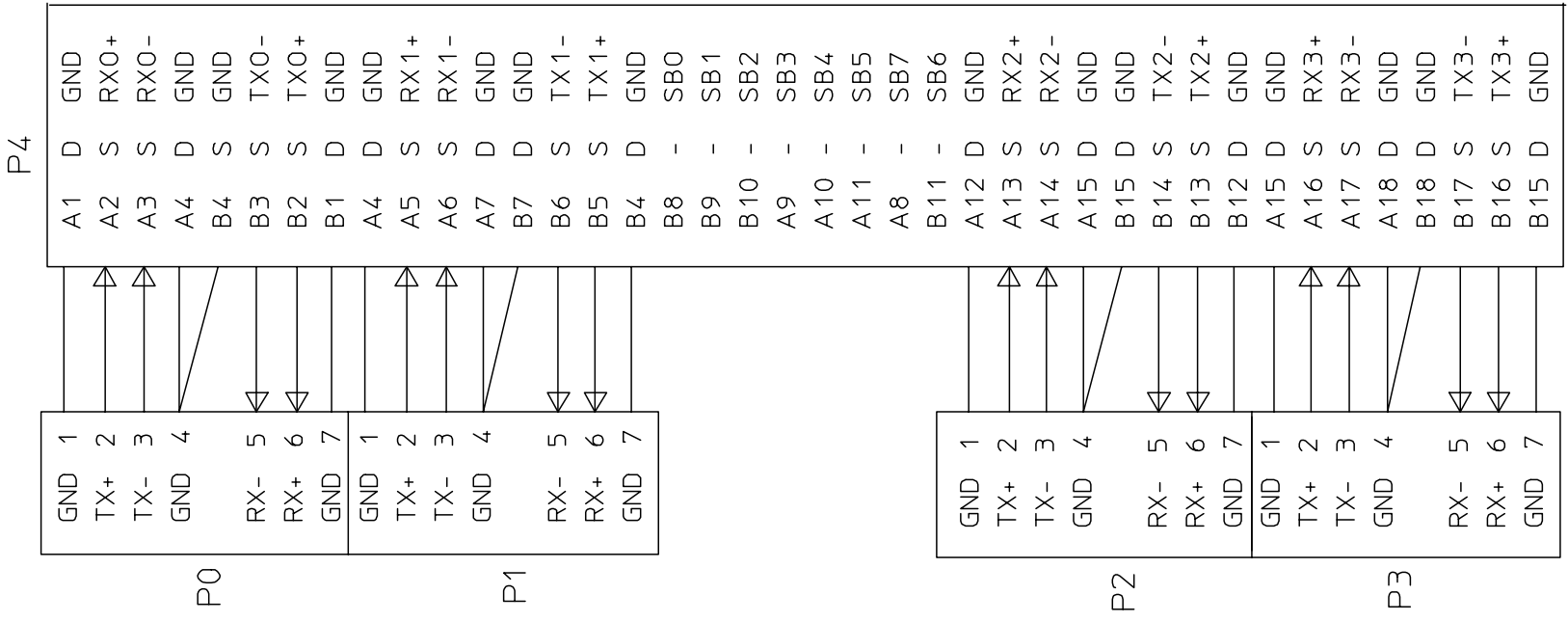
ENTER DESCRIPTION EC NO: USY2007-0360 DRWN: SNAVARRO 2007/03/27 CHKD: PSYTSWA 2007/03/28 APPR: DDOYE 2007/03/28 DESCRIPTION REV	QUALITY SYMBOLS ▽=0 ▽=0	GENERAL TOLERANCES (UNLESS SPECIFIED) <table border="1"> <thead> <tr> <th></th> <th>mm</th> <th>INCH</th> </tr> </thead> <tbody> <tr><td>4 PLACES</td><td>± ---</td><td>± ---</td></tr> <tr><td>3 PLACES</td><td>± ---</td><td>± .01</td></tr> <tr><td>2 PLACES</td><td>± 0.25</td><td>± ---</td></tr> <tr><td>1 PLACE</td><td>± ---</td><td>± ---</td></tr> </tbody> </table> ANGULAR ± 1 °		mm	INCH	4 PLACES	± ---	± ---	3 PLACES	± ---	± .01	2 PLACES	± 0.25	± ---	1 PLACE	± ---	± ---	DIMENSION STYLE MM/IN DRAWN BY: JERWIN DATE: 2005/11/21 CHECKED BY: THALL DATE: 2005/11/21 APPROVED BY: DDOYE DATE: 2005/11/21	SCALE 1:1 DESIGN UNITS METRIC THIRD ANGLE PROJECTION	TITLE IPASS CABLE ASSY 36 CKT TO SATA FANOUT CABLE
		mm	INCH																	
	4 PLACES	± ---	± ---																	
	3 PLACES	± ---	± .01																	
2 PLACES	± 0.25	± ---																		
1 PLACE	± ---	± ---																		
DRAFT WHERE APPLICABLE MUST REMAIN WITHIN DIMENSIONS	MATERIAL NO. SEE CHART	DOCUMENT NO. SD-79576-300	SHEET NO. 1 OF 3																	
SIZE B	THIS DRAWING CONTAINS INFORMATION THAT IS PROPRIETARY TO MOLEX INCORPORATED AND SHOULD NOT BE USED WITHOUT WRITTEN PERMISSION																			

6 5 4 3 2 1

NOTE:

1. PIN OUT CONFORMS TO SAS 1.1 09D SECTION 5.2.3.2.3.3 FIG 83 AND SECTION 5.2.3.2.3.3 TBL 27
2. ALL SIGNAL GROUNDS ARE BUSSED IN PCB

PIN OUT 1



IPASS™ IS A TRADEMARK OF MOLEX.

NOTE:

- 1) D = DRAIN WIRE
- S = SIGNAL WIRE

ENTER DESCRIPTION EC NO: USY2007-0360 DRWN: SNAVARRO 2007/03/27 CHKD: PSYTSMA 2007/03/28 APPR: DDOYE 2007/03/28	
REV	DESCRIPTION

QUALITY SYMBOLS	= 0.25 = 0.1
-----------------	-----------------

GENERAL TOLERANCES (UNLESS SPECIFIED)	
	mm INCH
4 PLACES	± .005 ± .0004
3 PLACES	± .005 ± .0004
2 PLACES	± 0.25 ± .010
1 PLACE	± .005 ± .0004
ANGULAR ± 1 °	
DRAFT WHERE APPLICABLE MUST REMAIN WITHIN DIMENSIONS	

DIMENSION STYLE		SCALE	DESIGN UNITS	THIRD ANGLE PROJECTION
MM/IN		1:1	METRIC	
DRAWN BY	DATE	TITLE		
JERWIN	2005/11/21	IPASS CABLE ASSY		
CHECKED BY	DATE	36 CKT TO SATA		
THALL	2005/11/21	FANOUT CABLE		
APPROVED BY	DATE	MOLEX INCORPORATED		
DDOYE	2005/11/21	DOCUMENT NO.		
MATERIAL NO.		SD-79576-300		SHEET NO.
SEE CHART				2 OF 3
SIZE	THIS DRAWING CONTAINS INFORMATION THAT IS PROPRIETARY TO MOLEX INCORPORATED AND SHOULD NOT BE USED WITHOUT WRITTEN PERMISSION			
A				

5 4 3 2 1

6

5

4

3

2

1

NOTE:

- 1. NON-STANDARD PIN OUT WITH SATA BACKPLANE CONNECTORS TWISTED
- 2. ALL SIGNAL GROUNDS ARE BUSSED IN PCB.

D

D

C

C

B

B

A

A

PIN OUT 2

P4

A1	A2	A3	A4	B4	B3	B2	B1	A4	A5	A6	A7	B7	B6	B5	B4	B8	B9	B10	A9	A10	A11	A8	B11	A12	A13	A14	A15	B15	B14	B13	B12	A15	A16	A17	A18	B18	B17	B16	B15					
D	S	S	D	S	S	S	D	D	S	S	D	D	S	S	D	-	-	-	-	-	-	-	-	D	S	S	D	D	S	S	D	D	S	S	D	D	S	S	D	D	S	S	D	D
GND	RX0+	RX0-	GND	GND	TX0-	TX0+	GND	GND	RX1+	RX1-	GND	GND	TX1-	TX1+	GND	SB0	SB1	SB2	SB3	SB4	SB5	SB7	SB6	GND	RX2+	RX2-	GND	GND	TX2-	TX2+	GND	GND	RX3+	RX3-	GND	GND	TX3-	TX3+	GND	GND				

GND	TX+	TX-	GND	RX-	RX+	GND	GND	TX+	TX-	GND	RX-	RX+	GND
7	6	5	4	3	2	1	7	6	5	4	3	2	1

P0

P1

GND	TX+	TX-	GND	RX-	RX+	GND	GND	TX+	TX-	GND	RX-	RX+	GND
7	6	5	4	3	2	1	7	6	5	4	3	2	1

P2

P3

IPASS™ IS A TRADEMARK OF MOLEX.

NOTE:

- 1) D = DRAIN WIRE
- S = SIGNAL WIRE

ENTER DESCRIPTION	QUALITY SYMBOLS
EC NO: USY2007-0360	▽=0
DRWN: SNAVARRO 2007/03/27	▽=0
CHKD: PSYTSMA 2007/03/28	
APPR: DDOYE 2007/03/28	
REV	DESCRIPTION

GENERAL TOLERANCES (UNLESS SPECIFIED)
4 PLACES ± --- ± ---
3 PLACES ± --- ± .01
2 PLACES ± 0.25 ± ---
1 PLACE ± --- ± ---
ANGULAR ± 1 °

DIMENSION STYLE	SCALE	DESIGN UNITS	THIRD ANGLE PROJECTION
MM/IN	1:1	METRIC	☉
DRAWN BY	DATE	TITLE	
JERWIN	2005/11/21	IPASS CABLE ASSY 36 CKT TO SATA FANOUT CABLE	
CHECKED BY	DATE	MOLEX INCORPORATED	
THALL	2005/11/21	DOCUMENT NO. SD-79576-300	
APPROVED BY	DATE	SHEET NO. 3 OF 3	
DDOYE	2005/11/21	THIS DRAWING CONTAINS INFORMATION THAT IS PROPRIETARY TO MOLEX INCORPORATED AND SHOULD NOT BE USED WITHOUT WRITTEN PERMISSION	
MATERIAL NO.	SEE CHART		
SIZE	A		

DRAFT WHERE APPLICABLE MUST REMAIN WITHIN DIMENSIONS	
--	--

DRAFT WHERE APPLICABLE MUST REMAIN WITHIN DIMENSIONS	
--	--

5

4

3

2

1