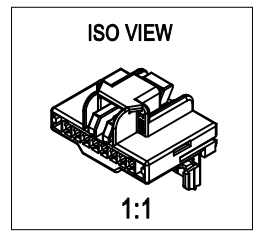
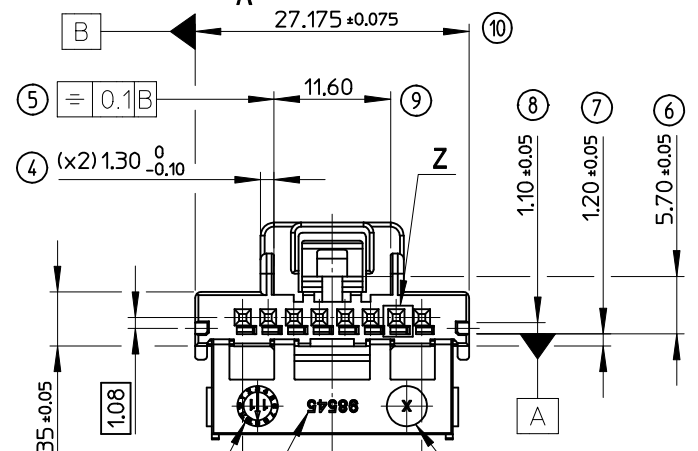
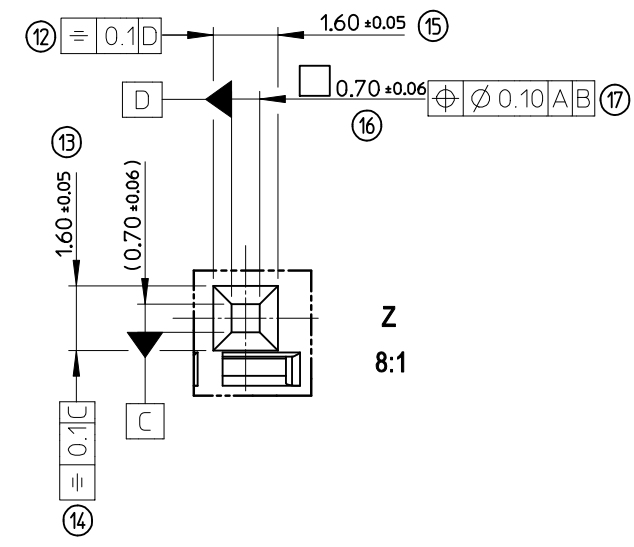
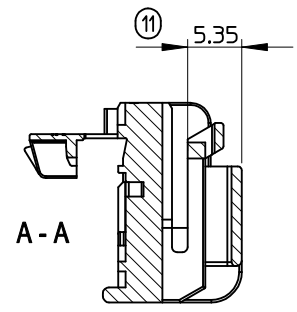
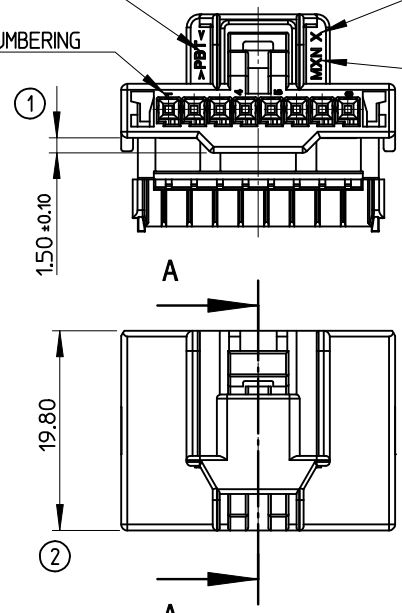


MATERIAL: >PBT<
 MOLD CAVITY ID
 CAVITIES NUMBERING
 PRODUCT PROCESS PLANT:
 MXN = Molex LINCOLN



FOR ILLUSTRATION PURPOSES BLACK CODING IS SHOWN.

CODINGS	
P/N°	COLOR
98545-0001	BLACK
98545-0002	GREY

- NOTES:**
- 1- MATERIAL: POLYBUTYLENE (PBT), UL94 HB. COLOR: SEE CHART.
 - 2- USE WITH: 98658 (MOX 0.63 TERMINAL).
 - 3- APPLICATION SPECIFICATION: AS-98545-001

DATE CODE: Ø5MM ACCORDING MISUMI STD.

MOLEX SERIES# N°

DRAWING REVISION LEVEL
 RSD-98545-003

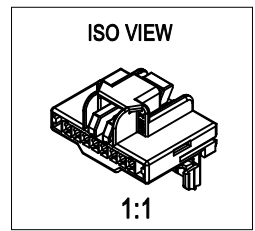
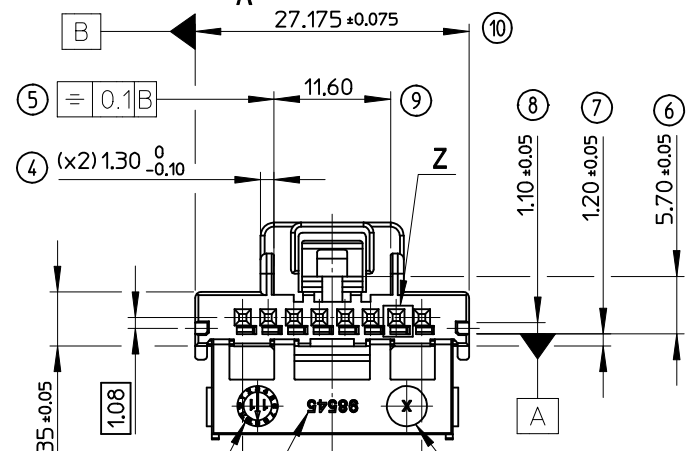
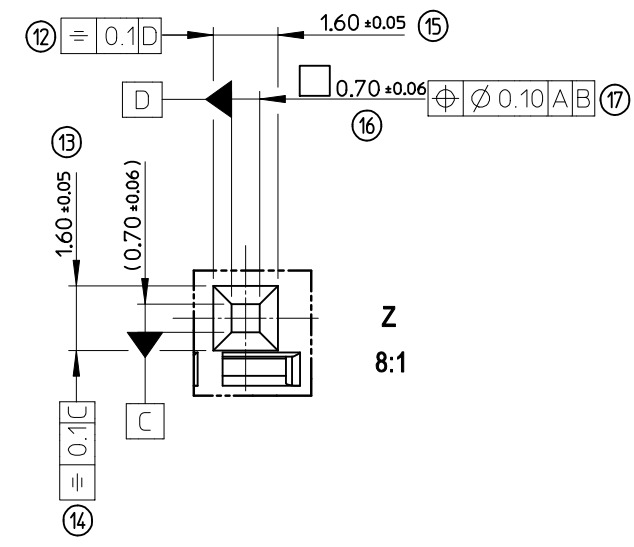
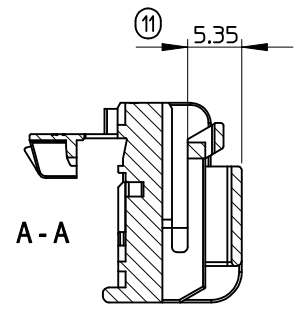
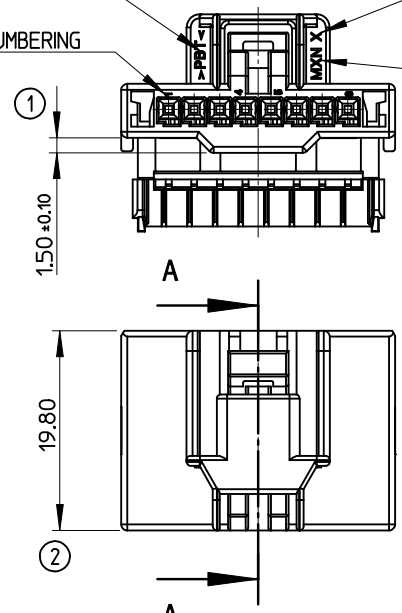
CENTERED DIMS	EC NO: GZ018-0018	DESCRIPTION	
	DRWN: GDESBRUER011/04/27		
	CHKD: D.SANTOS 2011/04/29		
	APPR: SLAFAUREZ017/08/28		

GENERAL TOLERANCES (UNLESS SPECIFIED)	
mm	INCH
4 PLACES	± --- ± ---
3 PLACES	± --- ± ---
2 PLACES	± 0.10 ± ---
1 PLACE	± 0.20 ± ---
ANGULAR ± 1/2°	
DRAFT WHERE APPLICABLE	
MUST REMAIN WITHIN DIMENSIONS	

SCALE	DESIGN UNITS
2:1	METRIC
DIMENSION STYLE	
MM ONLY	
DRAWN BY	DATE
MRIVIERE	04/04/08
CHECKED BY	DATE
LSTICKEIR	04/04/08
APPROVED BY	DATE
LSTICKEI	04/04/08

FIRST ANGLE PROJECTION	REVISE ON CAD ONLY
TITLE	
8 WAY CONNECTOR SALES DRAWING	
molex MOLEX INCORPORATED	
MATERIAL NO.	DOCUMENT NO.
SEE CHART	SD-98545-002
SHEET NO.	1 OF 1
THIS DRAWING CONTAINS INFORMATION THAT IS PROPRIETARY TO MOLEX INCORPORATED AND SHOULD NOT BE USED WITHOUT WRITTEN PERMISSION	

MATERIAL: >PBT<
 MOLD CAVITY ID
 CAVITIES NUMBERING
 PRODUCT PROCESS PLANT:
 MXN = Molex LINCOLN



FOR ILLUSTRATION PURPOSES BLACK CODING IS SHOWN.

CODINGS	
P/N°	COLOR
98545-0001	BLACK
98545-0002	GREY

- NOTES:**
- 1- MATERIAL: POLYBUTYLENE (PBT), UL94 HB. COLOR: SEE CHART.
 - 2- USE WITH: 98658 (MOX 0.63 TERMINAL).
 - 3- APPLICATION SPECIFICATION: AS-98545-001

DATE CODE: Ø5MM ACCORDING MISUMI STD.

MOLEX SERIES# N°

DRAWING REVISION LEVEL
 RSD-98545-003

CENTERED DIMS	EC NO: GZ018-0018	DESCRIPTION
	DRWN: GDESBRUER011/04/27	
	CHKD: D.SANTOS 2011/04/29	
	APPR: SLAFAUREZ017/08/28	

GENERAL TOLERANCES (UNLESS SPECIFIED)	
mm	INCH
4 PLACES	± --- ± ---
3 PLACES	± --- ± ---
2 PLACES	± 0.10 ± ---
1 PLACE	± 0.20 ± ---
ANGULAR ± 1/2°	
DRAFT WHERE APPLICABLE	
MUST REMAIN WITHIN DIMENSIONS	

SCALE	DESIGN UNITS
2:1	METRIC
DIMENSION STYLE	
MM ONLY	
DRAWN BY	DATE
MRIVIERE	04/04/08
CHECKED BY	DATE
LSTICKEIR	04/04/08
APPROVED BY	DATE
LSTICKEI	04/04/08

FIRST ANGLE PROJECTION	REVISE ON CAD ONLY
TITLE	
8 WAY CONNECTOR SALES DRAWING	
molex MOLEX INCORPORATED	
MATERIAL NO.	DOCUMENT NO.
SEE CHART	SD-98545-002
SHEET NO.	1 OF 1
THIS DRAWING CONTAINS INFORMATION THAT IS PROPRIETARY TO MOLEX INCORPORATED AND SHOULD NOT BE USED WITHOUT WRITTEN PERMISSION	