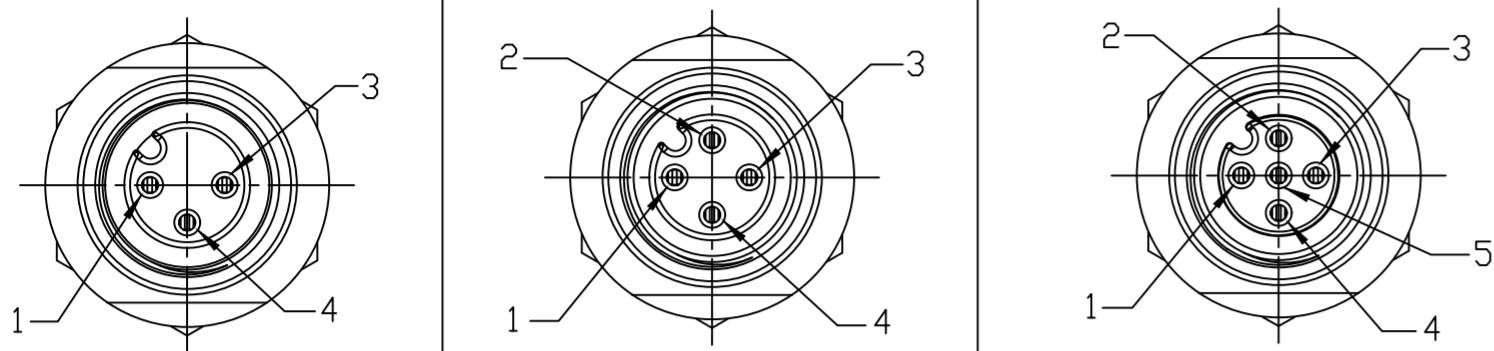


FACE VIEW - FEMALE INSERT



1 BROWN
3 BLUE
4 BLACK

1 BROWN
2 WHITE
3 BLUE
4 BLACK

1 BROWN
2 WHITE
3 BLUE
4 BLACK
5 GRAY

PART NUMBER LEGEND

8R3A00A18A1201

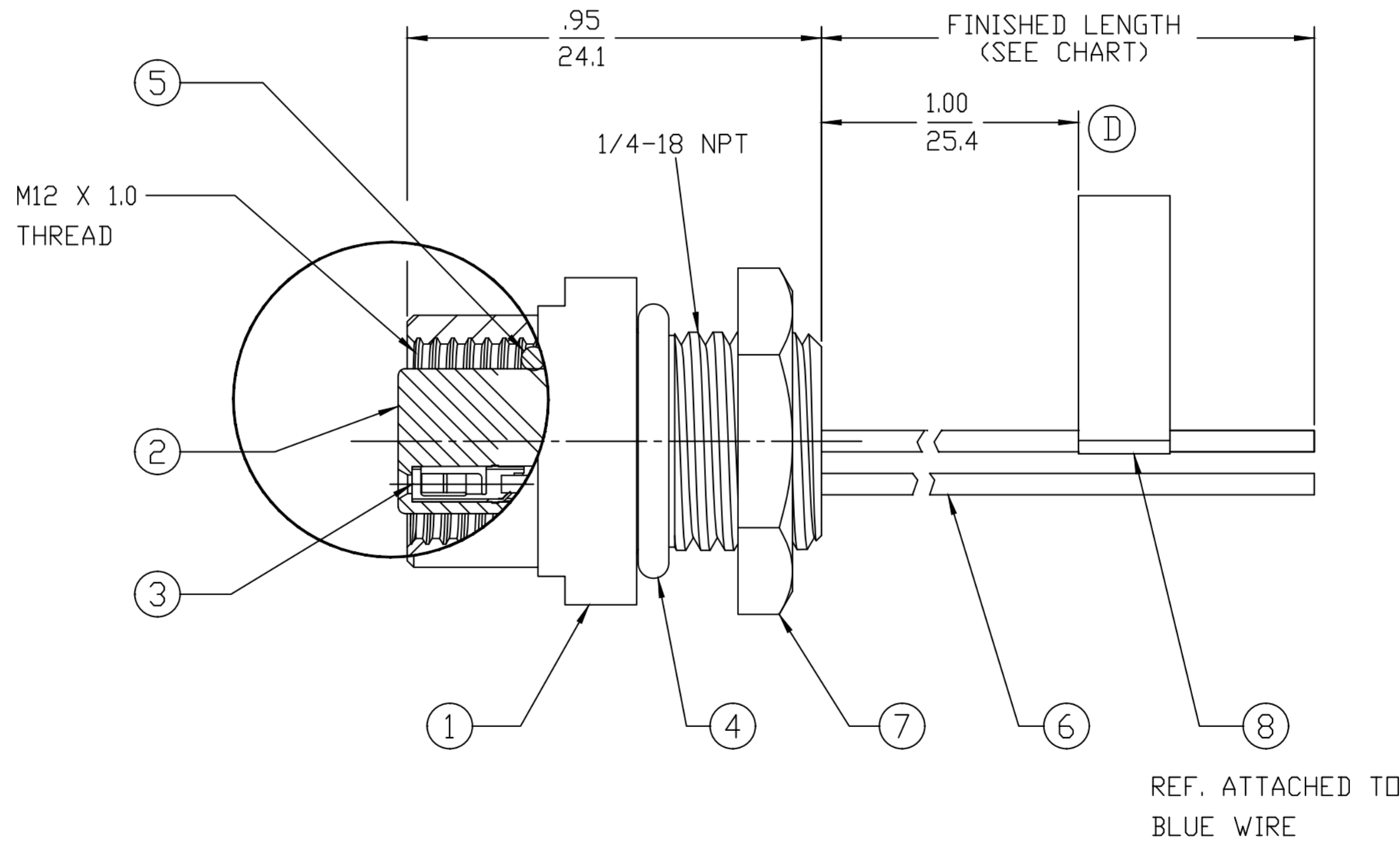
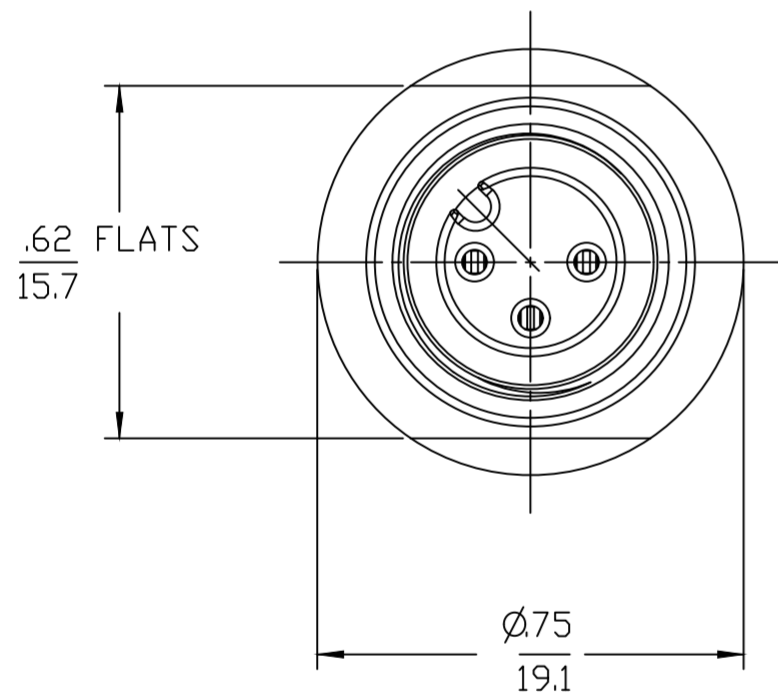
FINISHED LENGTH:
A120= 12 INCHES
M005= 0.5 METER
M010= 1 METER
M100= 10 METER

SHELL MATERIAL/FINISH
BLANK= ALUMINUM/BLACK ANODIZED
1 = 303 ST. STEEL
3 = BRASS/NICKEL PLATE
8 = 316 ST. STEEL

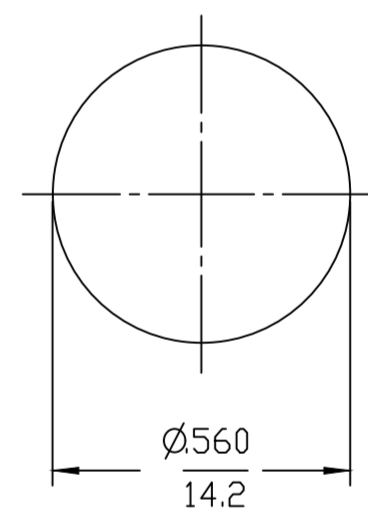
PART NUMBER	POLES	DESCRIPTION	FINISHED LENGTH
1200700056	3	8R3A00A18A120	12.0" +.75" -0 [0.3M +19.1MM -0]
1200700114	4	8R4A00A18A120	12.0" +.75" -0 [0.3M +19.1MM -0]
1200700201	5	8R5A00A18A120	12.0" +.75" -0 [0.3M +19.1MM -0]
1200700119	4	8R4A00A18M010	3.28' +2.19" -0 [1M +55.6MM -0]

NOTES:

- MATERIAL: SEE TABLE
- FINISHES: SEE TABLE
- ELECTRICAL SPECIFICATIONS
VOLTAGE RATING: 250V
CURRENT RATING: 4 AMPS
- PROTECTION: IP67 (WHEN MATED)
- DIMS SHOWN ARE FOR REFERENCE ONLY



REF. KNOCK-OUT HOLE



FINAL ASSEMBLY
1200700056 (SHOWN)

8	FLAG LABEL	VINYL	BLACK/YELLOW
7	PANEL NUT	STEEL	ZINC PLATED
6	WIRE, 22-1	PVC INSULATED	SEE FACE VIEWS
5	O-RING (MATING)	VITON	RED
4	O-RING (PANEL)	NITRILE	BLACK
3	CONTACT SOCKET	Cu ALLOY	GOLD PLATED
2	INSERT, FEMALE	NYLON	BLACK
1	SHELL	SEE P/N LEGEND	SEE P/N LEGEND
ITEM	DESCRIPTION	MATERIAL	FINISH

CABLE LENGTH TOLERANCES

<.3M [1FT]: +19mm-0 [+1.75in-0]
.3 - .9M [1 - 3FT]: +44.5mm-0 [+1.75in-0]
.9 - 1.8M [3 - 6FT]: +55.6mm-0 [+2.19in-0]
1.8 - 3.7M [6 - 12FT]: +88.9mm-0 [+3.50in-0]
3.7 - 7.3M [12 - 24FT]: +165.1mm-0 [+6.50in-0]
7.3-14.6M [24 - 48FT]: +317.5mm-0 [+12.50in-0]
14.6 - 30.5M [48-100FT]: +622.3mm-0 [+24.50in-0]
OVER 30M [100FT] +2% OF FINISHED LENGTH

FUNCTIONAL SYMBOLS	DIMENSION UNITS	SCALE	CURRENT REV DESC: ADD NEW PN, UPDATE LENGTH PER MANUFACTURING DOC, ADD TOL BLOCK		
FA=0	INCH/MM	NTS	EC NO: 690994		
EC=0	GENERAL TOLERANCES (UNLESS SPECIFIED)		DRWN: CCHRSTKA	2022/01/05	MICRO-CHANGE RECEPTACLE
EP=0			CHK'D: RSTONE	2022/01/07	
DIVISIONAL SYMBOLS			APPR: BWOODMAN	2022/01/07	M12 FEMALE, 22 AWG 1/4 NPT FRONT PANEL MNT
			INITIAL REVISION:		PRODUCT CUSTOMER DRAWING
			DRWN: NKUMAR01	2009/08/27	DOCUMENT NUMBER
			APPR: JFMURPHY	2009/08/28	DOC TYPE/DOC PART/REVISION
ANGULAR TOL ± --- °			DRAWING		SD-120070-056
DRAFT WHERE APPLICABLE MUST REMAIN WITHIN DIMENSIONS			THIRD ANGLE PROJECTION	SERIES	PSD 001 D
			C-SIZE	120070	MATERIAL NUMBER
			SEE TABLE		CUSTOMER
			GENERAL MARKET		SHEET NUMBER
			1 OF 1		