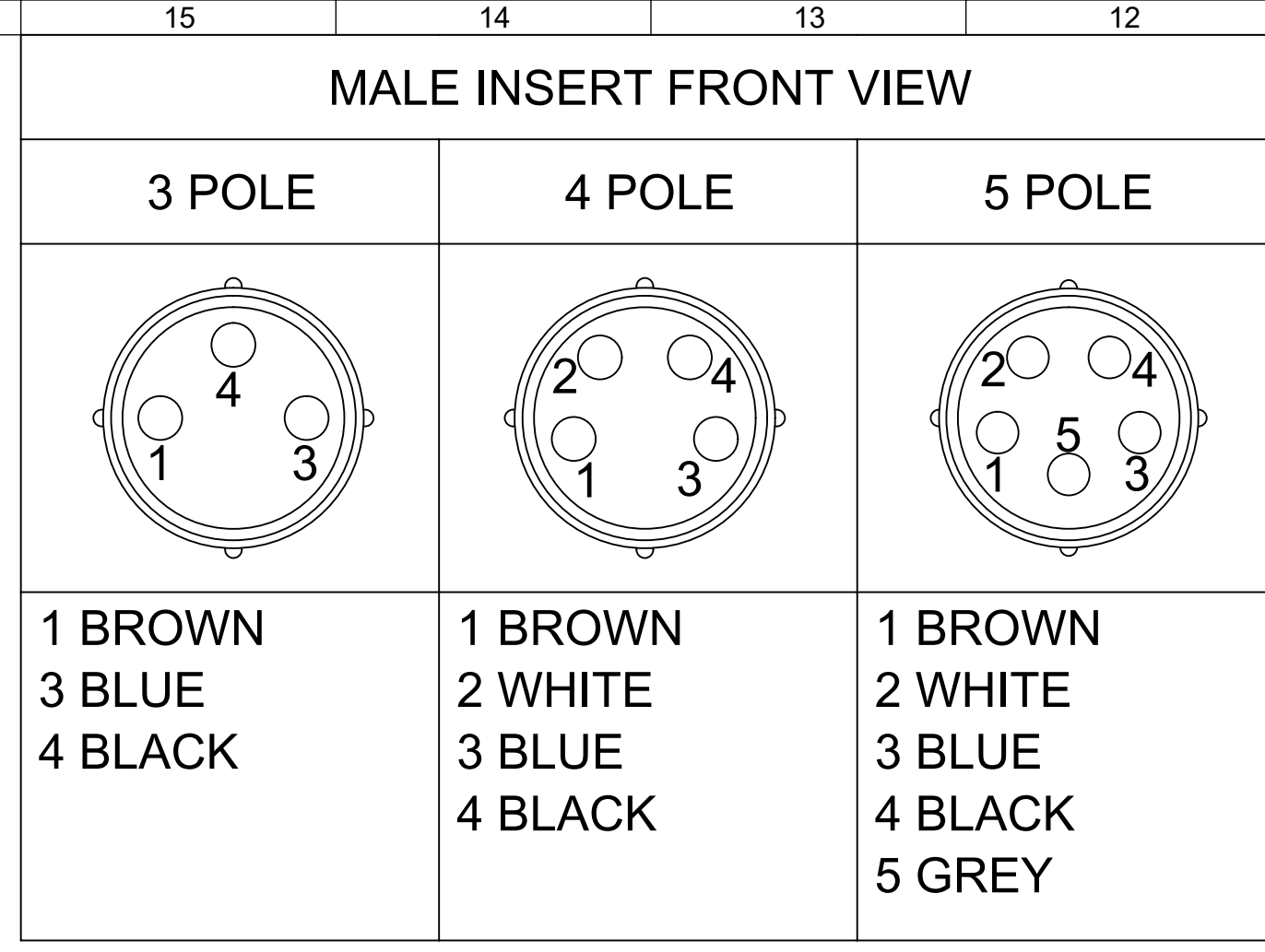


| MATERIAL NO. | ENGINEERING NO. | FINISHED LENGTH    |
|--------------|-----------------|--------------------|
| 1200860131   | 403006A10M010   | 1M [3 FT 3 IN]     |
| 1200860185   | 404006A10M050   | 5M [16 FT 5 IN]    |
| 1200860579   | 405006A10M100   | 10M [32 FT 9.7 IN] |

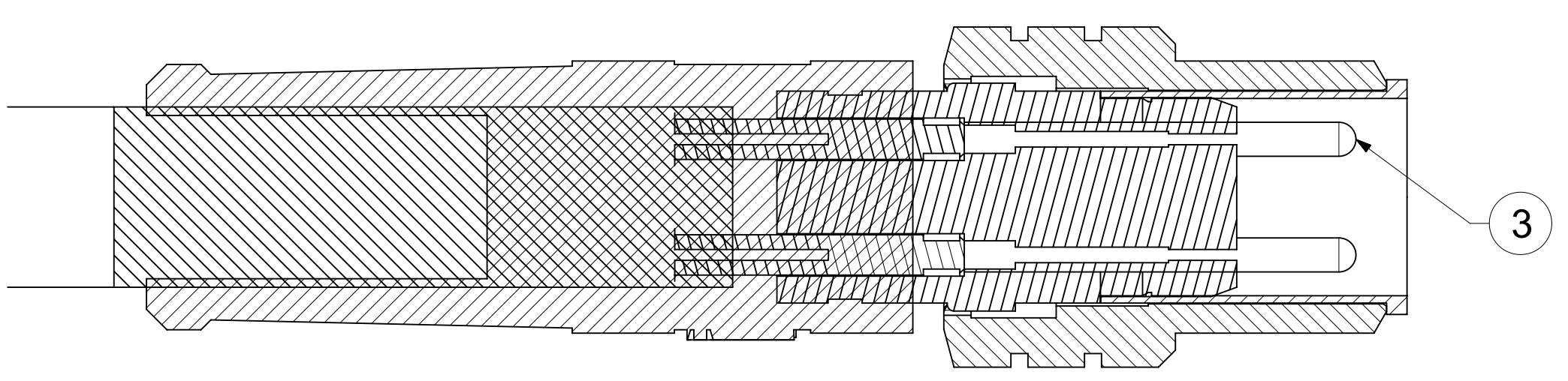
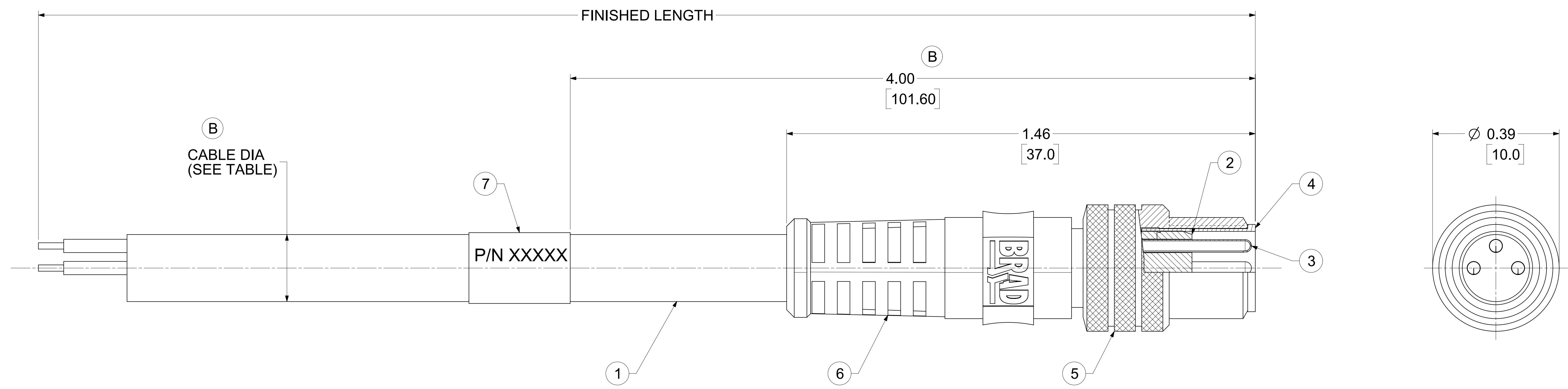
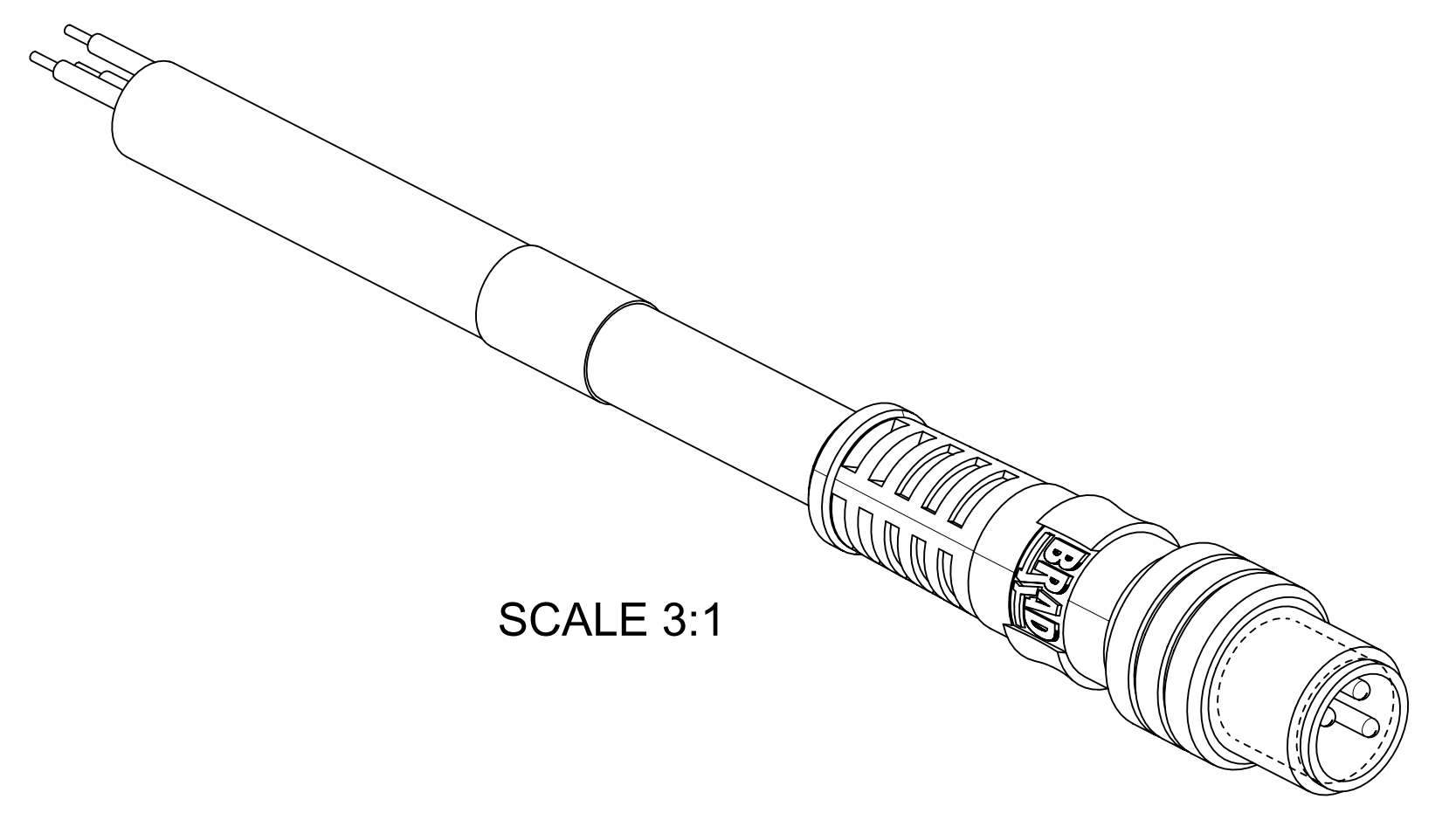


**PART NUMBER LEGEND**

403006A10M010

3- 3 POLES  
4- 4 POLES  
5- 5 POLES

FINISHED LENGTH  
M001 = .1 METER  
M010 = 1 METER  
M100 = 10 METER



- NOTES:**
- MATERIAL: AS NOTED
  - FINISH: AS NOTED
  - ELECTRICAL:  
VOLTAGE: 60VAC/75VDC  
CURRENT: 4A (3&4 POLE), 3A (5 POLE)
  - TEMP RATING: -20°C TO +105°C
  - PROTECTION: IP67 (WHEN MATED)
  - COUPLING THREAD: M8x1
  - UL LISTED FILE: E152210  
CSA CERTIFIED FILE: LR6837
  - ALL DIMS ARE FOR REFERENCE UNLESS TOLERANCED OR NOTED OTHERWISE

| 7    | WRAP LABEL         | VINYL      | BLACK/YELLOW     |
|------|--------------------|------------|------------------|
| 6    | OVERMOLD           | TPC        | YELLOW           |
| 5    | MALE COUPLING NUT  | BRASS      | NICKEL PLATED    |
| 4    | MALE SLEEVE        | BRASS      | NICKEL PLATED    |
| 3    | PIN CONTACT        | Cu ALLOY   | GOLD OVER NICKEL |
| 2    | MALE INSERT        | PUR        | BLACK            |
| 1    | CABLE, 3-5P, 24AWG | PVC JACKET | YELLOW           |
| ITEM | DESCRIPTION        | MATERIAL   | FINISH           |

| POLES | CABLE DIA.  |
|-------|-------------|
| 3     | 0.17 [4.31] |
| 4     | 0.18 [4.57] |
| 5     | 0.20 [5.08] |

**CABLE LENGTH TOLERANCES**

<.3M [1FT]: +19mm-0 [ +.75in-0]

.3 - .9M [1 - 3FT]: +44.5mm-0 [+1.75in-0]

.9 - 1.8M [3 - 6FT]: +55.6mm-0 [+2.19in-0]

1.8 - 3.7M [6 - 12FT]: +88.9mm-0 [+3.50in-0]

3.7 - 7.3M [12 - 24FT]: +165.1mm-0 [+6.50in-0]

7.3-14.6M [24 - 48FT]: +317.5mm-0 [+12.50in-0]

14.6 - 30.5M [48-100FT]: +622.3mm-0 [+24.50in-0]

OVER 30M [100FT] +2% OF FINISHED LENGTH

|  |   |                 |   |                            |
|--|---|-----------------|---|----------------------------|
| FUNCTIONAL SYMBOLS                                   | THIS DRAWING CONTAINS INFORMATION THAT IS PROPRIETARY TO MOLEX ELECTRONIC TECHNOLOGIES, LLC AND SHOULD NOT BE USED WITHOUT WRITTEN PERMISSION |                 | CURRENT REV DESC: ITEM # 6 WAS PVC, UPDATED MATERIAL TABLE. ADDED STD. NOTES, PART NUMBER LEGEND, TOL. TABLE & CABLE DIA. |                            |
| INCH/MM  | SCALE   | 6:1             |   |                            |
| GENERAL TOLERANCES (UNLESS SPECIFIED)                | EC NO: 701162   |                 |   |                            |
| 4 PLACES ±   | DRWN: AKABADI 2021/10/06  |                 |   |                            |
| 3 PLACES ±   | CHK'D: RSTONE 2022/03/30  |                 |   |                            |
| 2 PLACES ±   | APPR: BWOODMAN 2022/04/08   |                 |   |                            |
| 1 PLACE ±  | INITIAL REVISION:   |                 |   |                            |
| 0 PLACES ±   | DRWN: NKUMAR01 14/07/09   |                 |   |                            |
| ANGULAR TOL ± °                                      | APPR: JFMURPHY 14/07/09   |                 |   |                            |
| DRAFT WHERE APPLICABLE MUST REMAIN WITHIN DIMENSIONS | THIRD ANGLE PROJECTION  | DRAWING         | SERIES  | MATERIAL NUMBER            |
|  |   | D-SIZE          | 120086  | SEE TABLE                  |
|  |   | CUSTOMER        | GENERAL MARKET  |                            |
|  |   | DOCUMENT NUMBER | SD-120086-132   | DOC TYPE DOC PART REVISION |
|  |   | PSD             | 001   | B                          |
|  |   | SHEET NUMBER    |   | 1 OF 1                     |