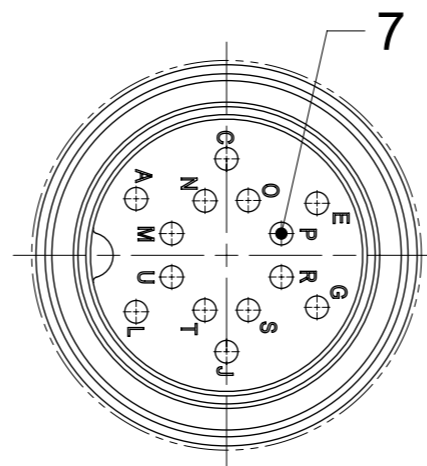


TABLE 1

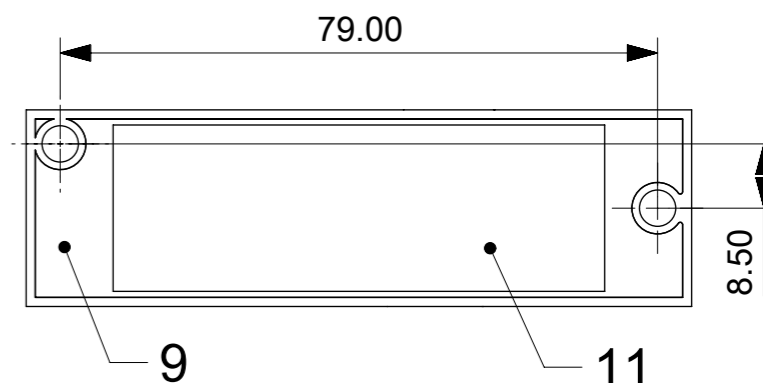
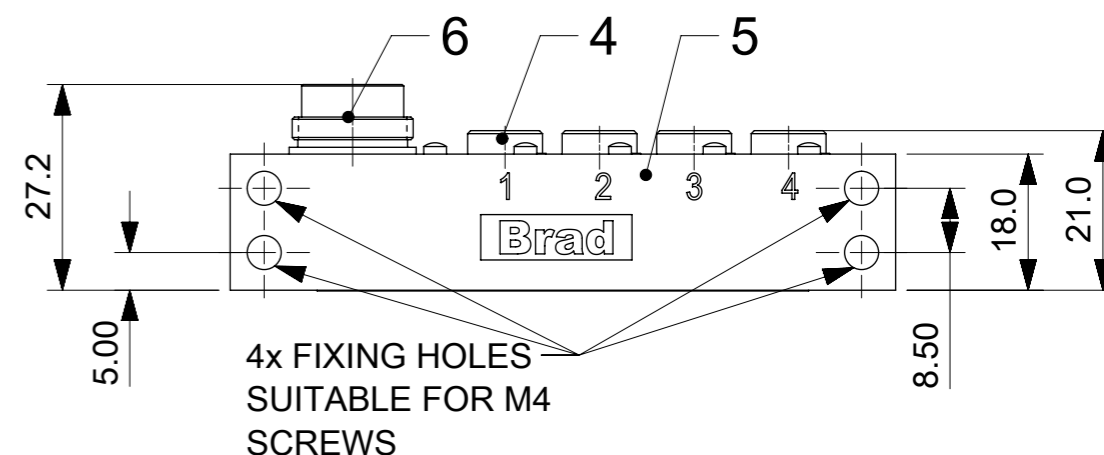
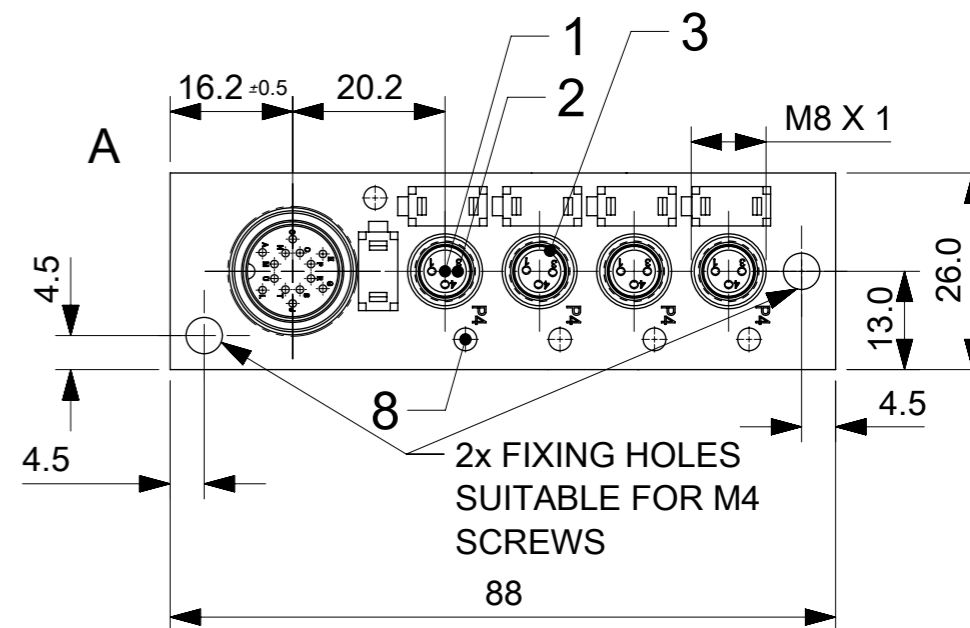
MOLEX PN	ENG. NO.	LED
1202470059	BNB401P-FBC	YES

TABLE 2 BILL OF MATERIAL

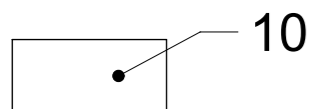
ITEM	DESCRIPTION	MATERIAL	FINISH
1	INSERT	TPU	BLACK
2	CONTACT	COPPER ALLOY	GOLD OVER NICKEL
3	O-RING	VITON	RED
4	RECEPTACLE SHELL	BRASS	NICKEL PLATED
5	HOUSING	PBT	BLACK
6	SHELL	BRASS	NICKEL PLATED
7	CONTACT	COPPER ALLOY	GOLD OVER NICKEL
8	LED	NO LED = PA	BLACK
		WITH LED = PA	TRANSPARENT
9	RESIN	EPOXY	TRANSPARENT
10	LABEL	ABS	WHITE
11	LABEL ADHESIVE	PE	WHITE



DETAIL A
SCALE 3:1



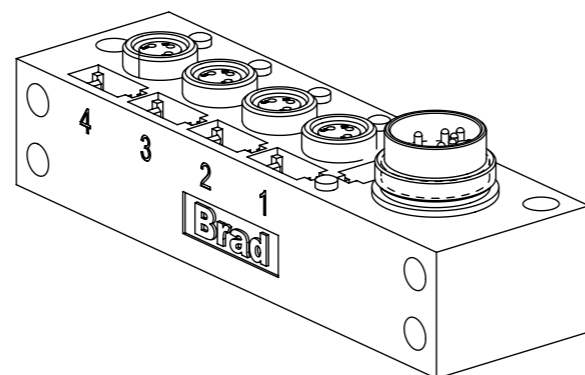
SCALE 2:1



LABEL
5x packed in a bag.

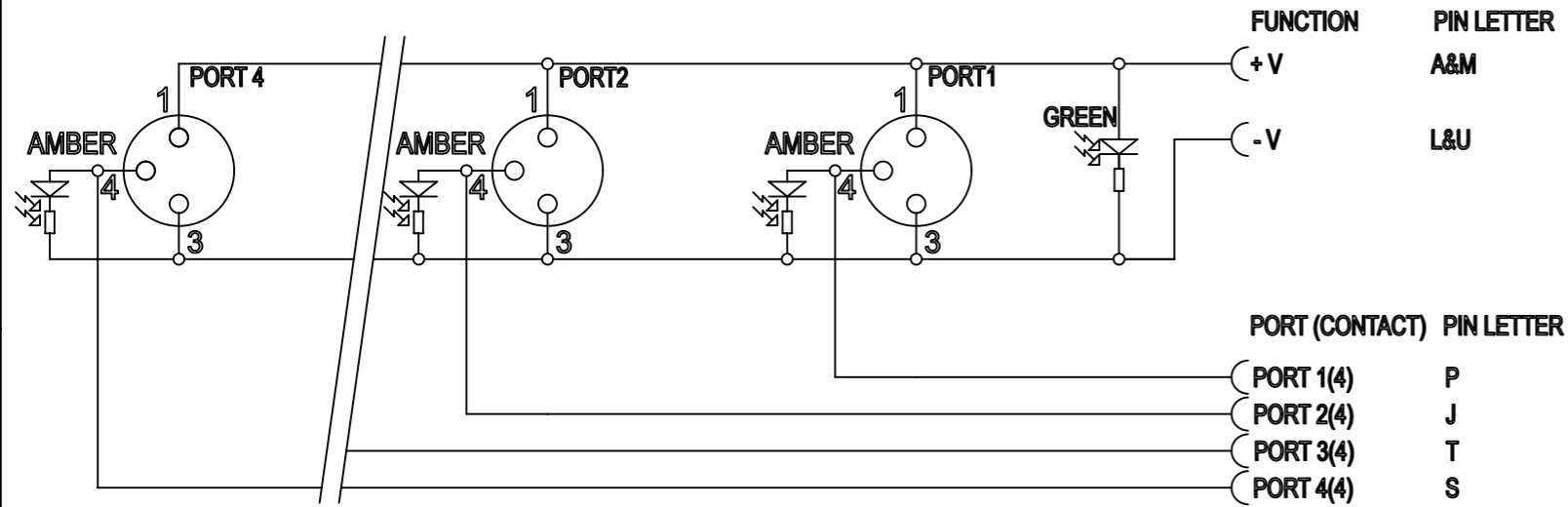
GENERAL CHARACTERISTICS:

NOMINAL VOLTAGE: 24 V DC
 RATED CURRENT: 2 A PER PORT / 6 A MAX: TOTAL
 IP DEGREE OF PROTECTION: IP 67
 TEMPERATURE RANGE: -25°C to + 85°C



THIS DRAWING CONTAINS INFORMATION THAT IS PROPRIETARY TO MOLEX INCORPORATED AND SHOULD NOT BE USED WITHOUT WRITTEN PERMISSION										
EC DESCRIPTION EC NO: 100800 DRWN: AAHLERS CHK'D: RSILLER APP: RSILLER	2015/07/20	2015/07/23	2015/07/23	QUALITY SYMBOLS	GENERAL TOLERANCES (UNLESS SPECIFIED) ANGULAR TOL ± ° 4 PLACES ± 3 PLACES ± 2 PLACES ± 0.2 1 PLACE ± 0.3 0 PLACES ± 0.5 DRAFT WHERE APPLICABLE MUST REMAIN WITHIN DIMENSIONS	DIMENSION UNITS	SCALE			
	mm	1:1	DRWN BY	DATE						
	AAHLERS	2015/07/20	CHK'D BY	DATE		MPIS M8 PNP NOS 3P 4PT 8P M16 BK SINGLE				
	RSILLER	2015/07/23	APP'R BY	DATE						
A	REV	Δ = 0	▽ = 0	□ = 0	■ = 0	DRAWING SIZE	THIRD ANGLE PROJECTION	SERIES	MATERIAL NUMBER	CUSTOMER
						A3		120247	SEE TABLE 1	GENERAL MARKET
DOCUMENT NUMBER								DOC TYPE	DOC PART	SHEET NUMBER
1202470059								PSD	000	1 OF 2

Wiring Diagram Single PNP



THIS DRAWING CONTAINS INFORMATION THAT IS PROPRIETARY TO MOLEX INCORPORATED AND SHOULD NOT BE USED WITHOUT WRITTEN PERMISSION

EC DESCRIPTION EC NO: 100800 DRWN: AAHLERS CHK'D: RSILLER APPR: RSILLER	2015/07/20 2015/07/23 2015/07/23	QUALITY SYMBOLS	GENERAL TOLERANCES (UNLESS SPECIFIED) ANGULAR TOL ± ° 4 PLACES ± 3 PLACES ± 2 PLACES ± 0.2 1 PLACE ± 0.3 0 PLACES ± 0.5 DRAFT WHERE APPLICABLE MUST REMAIN WITHIN DIMENSIONS	DIMENSION UNITS	SCALE			
		= 0 = 0 = 0 = 0 = 0 = 0 = 0		mm	1:1			
		DRWN BY AAHLERS		DATE 2015/07/20	CHK'D BY RSILLER		DATE 2015/07/23	
		APPR BY RSILLER		DATE 2015/07/23	DRAWING SIZE		THIRD ANGLE PROJECTION	
A	REV			A3		SERIES 120247	MATERIAL NUMBER SEE TABLE 1	CUSTOMER GENERAL MARKET
				DOCUMENT NUMBER		DOC TYPE	DOC PART	SHEET NUMBER
				1202470059		PSD	000	2 OF 2