


Counter nut - A-INL-PG13,5-N-S - 1411259

Please be informed that the data shown in this PDF Document is generated from our Online Catalog. Please find the complete data in the user's documentation. Our General Terms of Use for Downloads are valid (<http://phoenixcontact.com/download>)

Counter nut, material: Brass, nickel-plated, for threads Pg13.5, color: silver



Key Commercial Data

| | |
|--------------|---|
| Packing unit | 100 pc |
| GTIN |  4 046356 923910 |
| GTIN | 4046356923910 |

Technical data

Dimensions

| | |
|----------------------------|---------|
| Length | 3 mm |
| Connecting thread diameter | 20.4 mm |
| Wrench size, counter nut | 23 mm |
| Hexagon angular dimension | 26 mm |

Ambient conditions

| | |
|---------------------------------|-------------------|
| Ambient temperature (operation) | -70 °C ... 220 °C |
|---------------------------------|-------------------|

General

| | |
|-----------------------------|----------------------|
| Material | Brass, nickel-plated |
| Thread type connection side | Pg13.5 |
| Color | silver |

Standards and Regulations

| | |
|--------------|-----|
| Halogen-free | yes |
|--------------|-----|

Environmental Product Compliance

| | |
|------------|--|
| | Lead 7439-92-1 |
| China RoHS | Environmentally Friendly Use Period = 50 |

Counter nut - A-INL-PG13,5-N-S - 1411259

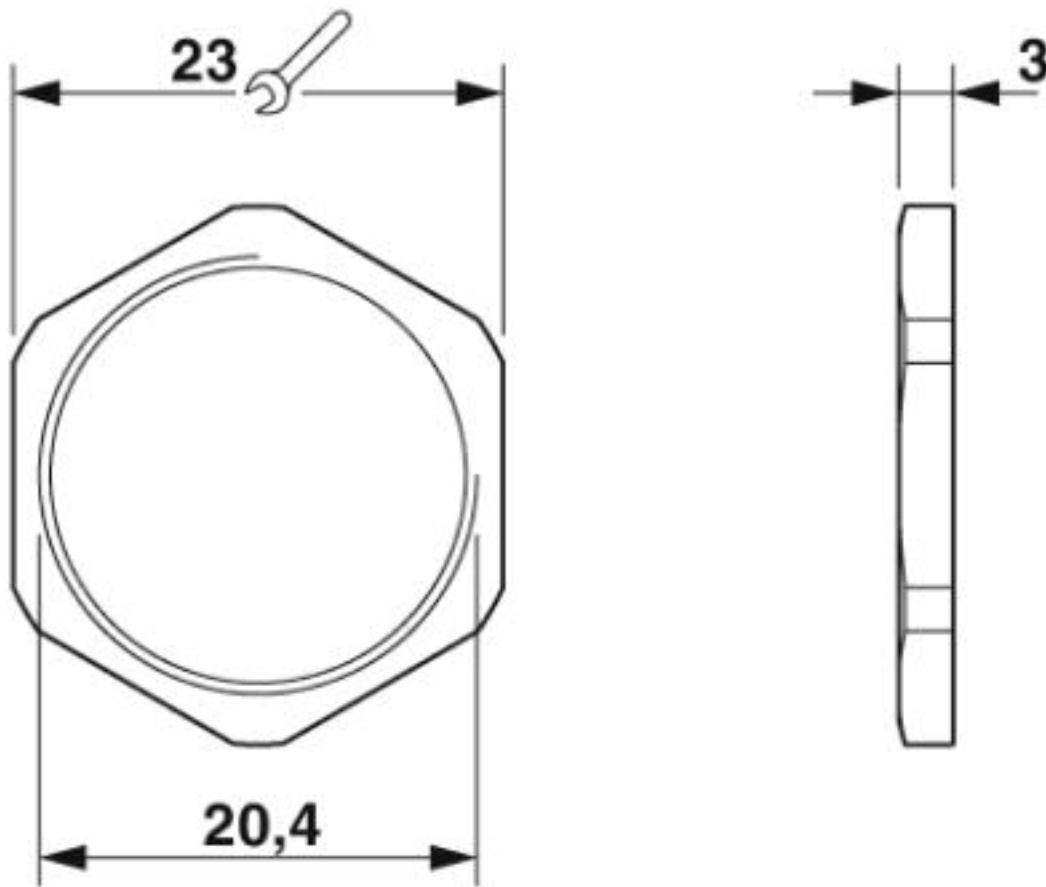
Technical data

Environmental Product Compliance

| | |
|--|---|
| | For details about hazardous substances go to tab "Downloads", Category "Manufacturer's declaration" |
|--|---|

Drawings

Dimensional drawing



Phoenix Contact 2019 © - all rights reserved
<http://www.phoenixcontact.com>

PHOENIX CONTACT GmbH & Co. KG
Flachsmarktstr. 8
32825 Blomberg
Germany
Tel. +49 5235 300
Fax +49 5235 3 41200
<http://www.phoenixcontact.com>