

NUMBER C-166276-166277

LONG PIN ASS'Y
166276-1

CONSISTS OF:

- 1 PIN, KEYING 1.122 (28,5)
- 1 LOCK WASHER 0.020 (0,5)
- 1 NUT 0.032 (0,8)

1 FLAT WASHER .728 (18,5)

COMPONENTS ARE PACKAGED UNASSEMBLED

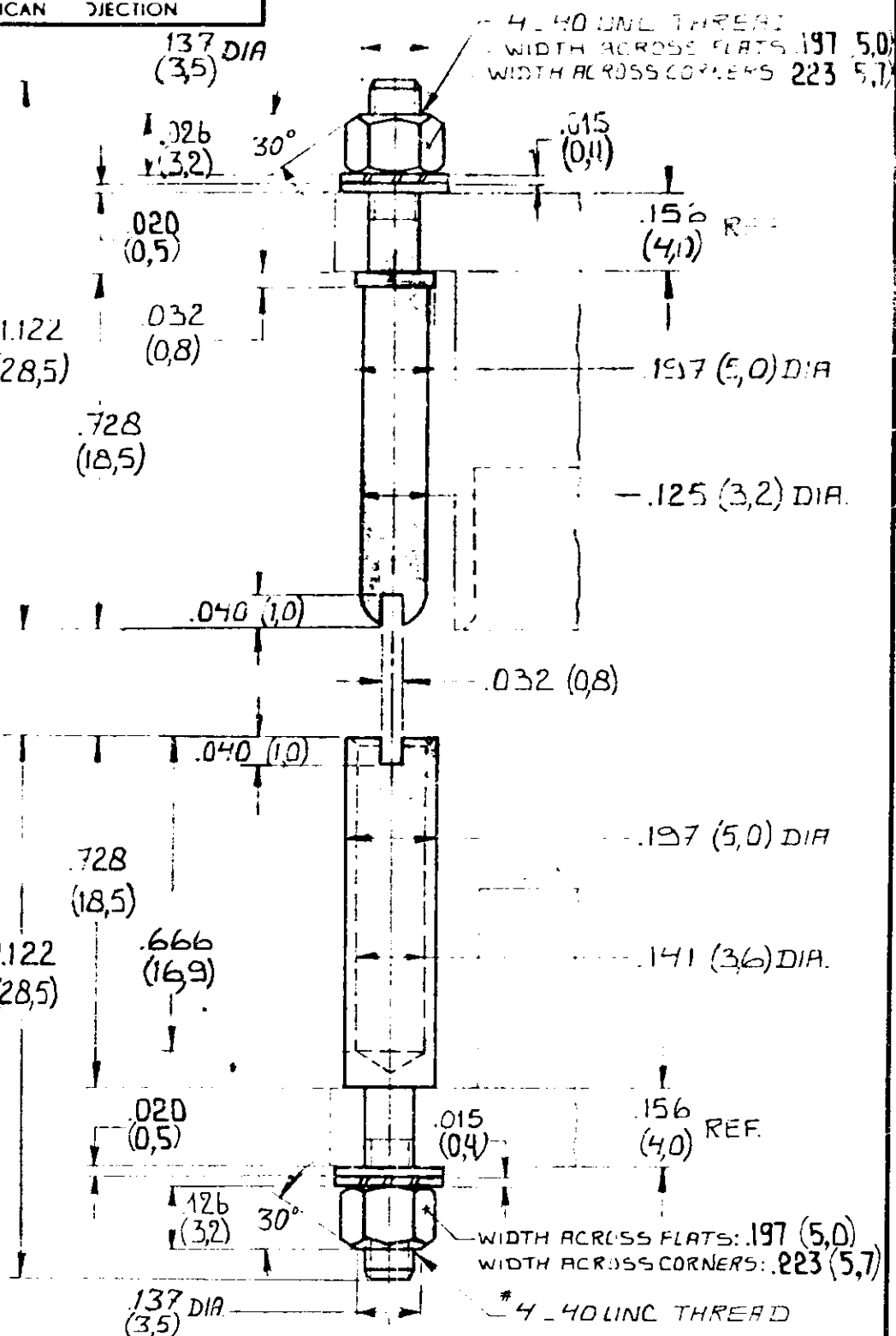
LONG SOCKET ASS.
166277-1

CONSISTS OF:

- 1 SOCKET, LONG .728 (18,5)
- 1 LOCK WASHER 1.122 (28,5)
- 1 NUT .666 (16,9)

1 FLAT WASHER

COMPONENTS ARE PACKAGED UNASSEMBLED.



CUSTOMER COPY FOR REFERENCE ONLY

©1979 BY AMP-HOLLAND N.V. ALL RIGHTS RESERVED A-MP PRODUCTS COVERED BY PATENTS AND/OR PATENTS PENDING.



AMP-HOLLAND N.V.
's-Hertogenbosch

166277-1	STAINL STEEL	PASSIVATED
166276-1	STAINL STEEL	PASSIVATED

WIRE-RANGE	INSUL-RANGE	FIRST USED
---	---	164406/164720

ORDER NO.	MATERIAL	PLATING

SCALE	SIZE	NO	REV
3:1	A	C-166276-166277	B

DR	DATE	DE	DATE
C. Tilburg	8-5-79		
CHK	DATE	APP	DATE
		[Signature]	8.5.79

NAME LONG PIN/LONG SOCKET KEYING FOR "H.D.R."-SERIES

DIMENSIONS IN (MM) DO NOT SCALE PRINT