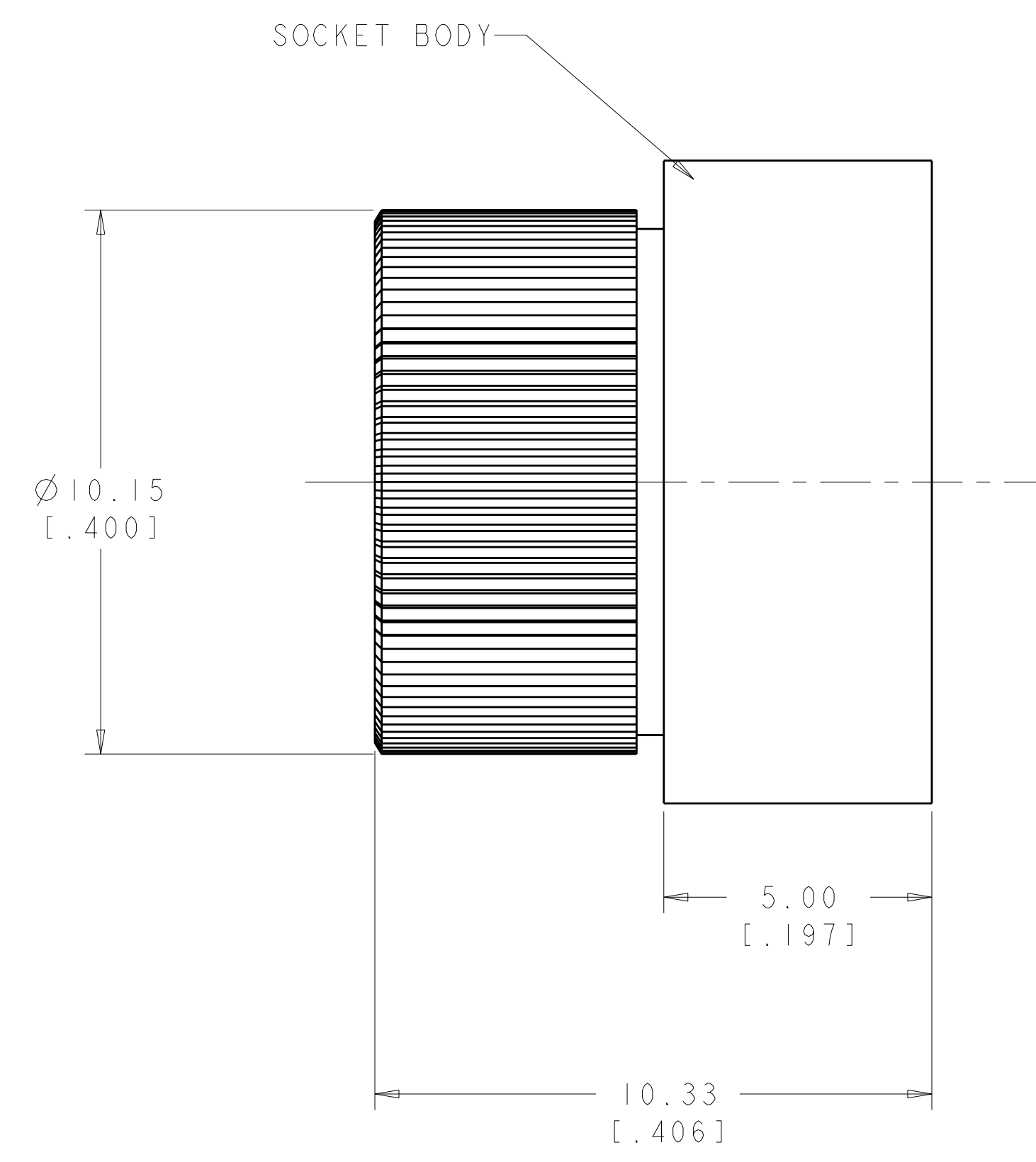
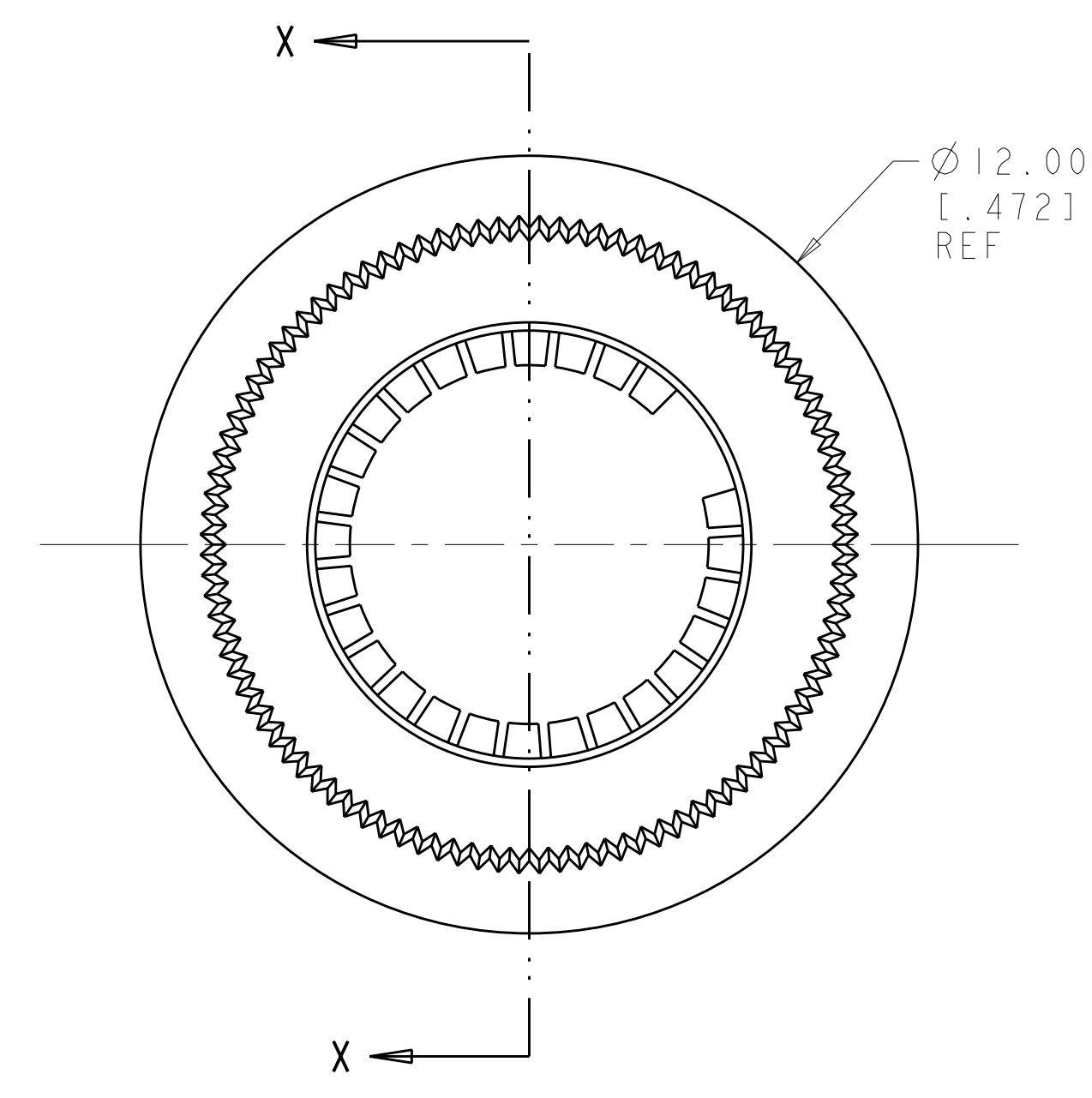
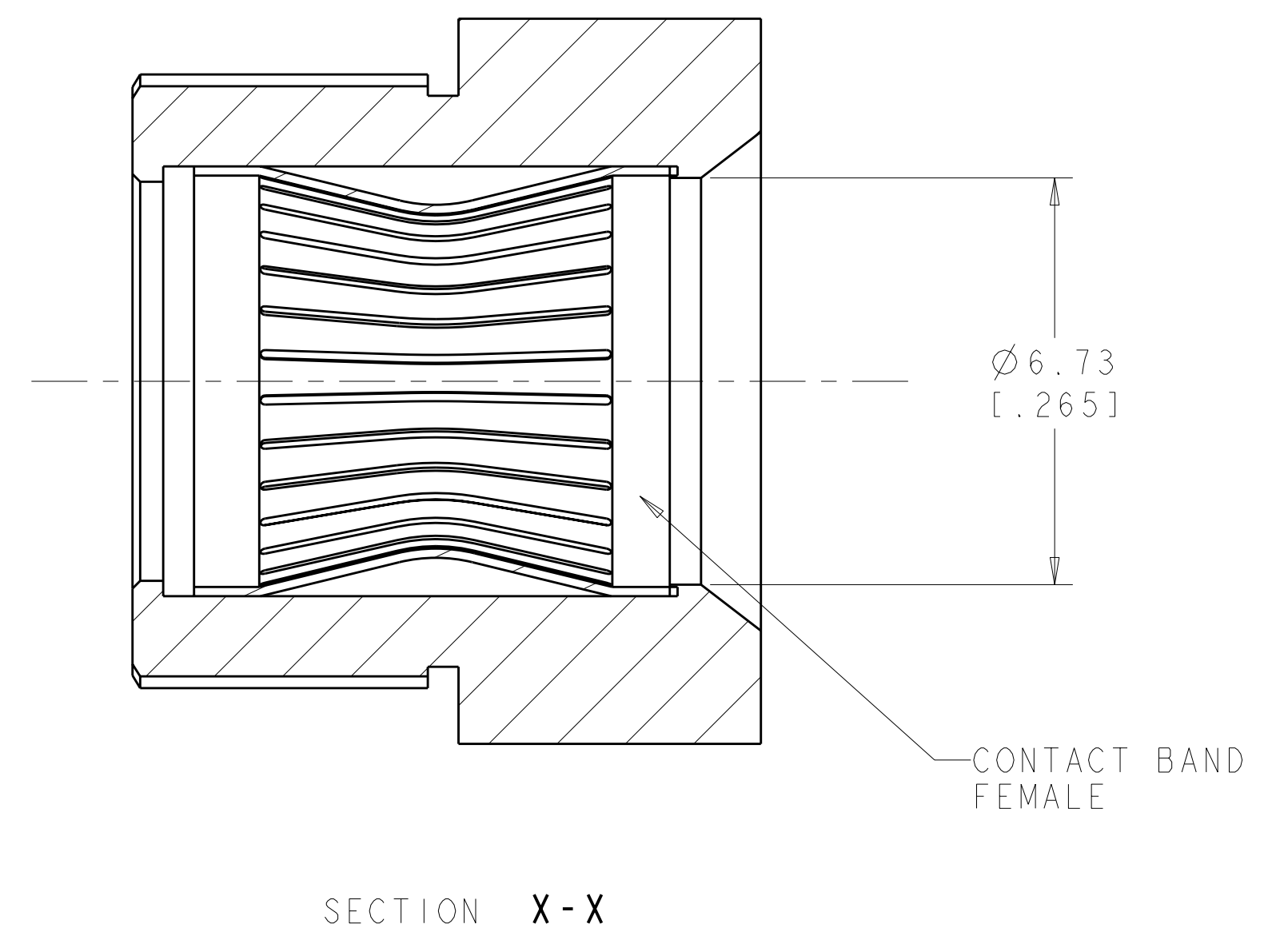


LOC		DIST		REVISIONS			
GP	00	P	LTB	DESCRIPTION	DATE	DWN	APVD
		1		PROPOSED DESIGN	12DEC2007	WVS	GRD



- PART NUMBER CHANGES AND/OR DESIGN CHANGES AFFECTING ITEM INTERCHANGEABILITY REQUIRES PRIOR TYCO ELECTRONICS APPROVAL AND AUTHORIZATION BY REVISION TO THIS DRAWING.
- ITEMS PROVIDED TO THIS SPECIFICATION SHALL BE IDENTIFIED ON THE PACKAGE AS FOLLOWS: MANUFACTURER IDENTIFICATION PART NUMBER.
- RECOMENDED BUS BAR HOLE Ø10.03±0.03 [ .395±.001 ].
- MATES WITH A Ø6.35 [ .250 ] PIN.
- MATERIAL:  
SOCKET BODY - COPPER ALLOY  
CONTACT BAND - COPPER ALLOY
- FINISH:  
SOCKET BODY - SILVER PLATE OVER NICKEL PLATE OVER ALL.  
CONTACT BAND - GOLD PLATE IN CONTACT AREA OVER NICKEL PLATE OVER ALL.
- THIS PRODUCT HAS NOT COMPLETED QUALIFICATION TESTING.

AS SHOWN	1926757-1
DESCRIPTION	PART NO

THIS PRINT IS  
**PRELIMINARY**  
 UNQUALIFIED PRODUCT  
 CONTACT PRODUCT ENGINEERING  
 BEFORE USING THIS PRINT

DIMENSIONS: mm [ INCHES ]		TOLERANCES UNLESS OTHERWISE SPECIFIED:		DWN: WM VAN SCOOC 13NOV2007 CHK: G.R. DEFIBAUGH 13NOV2007 APVD: G.R. DEFIBAUGH 13NOV2007		<b>tyco</b> Tyco Electronics Harrisburg, PA 17105-3608	
0 PLC ± 1 PLC ± 2 PLC ±0.25 [ 0.010 ] 3 PLC ± 4 PLC ±	ANGLES ±2°	PRODUCT SPEC APPLICATION SPEC	MATERIAL: 5	FINISH: 6	NAME: ASSEMBLY, #4 SOCKET, BUSBAR, LONG SIZE: A   CAGE CODE: 100779   DRAWING NO: C=1926757	RESTRICTED TO:	CUSTOMER DRAWING
SCALE 4:1				SHEET 1 OF 1		REV	