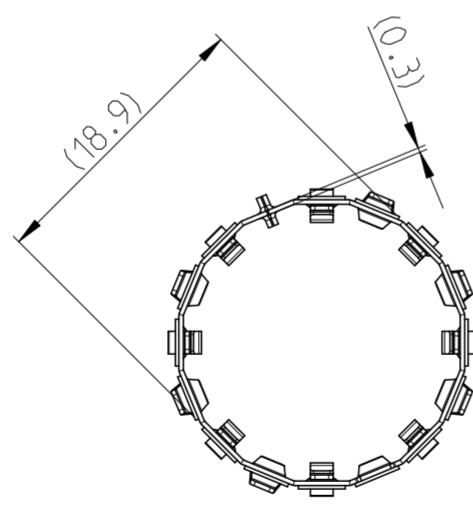
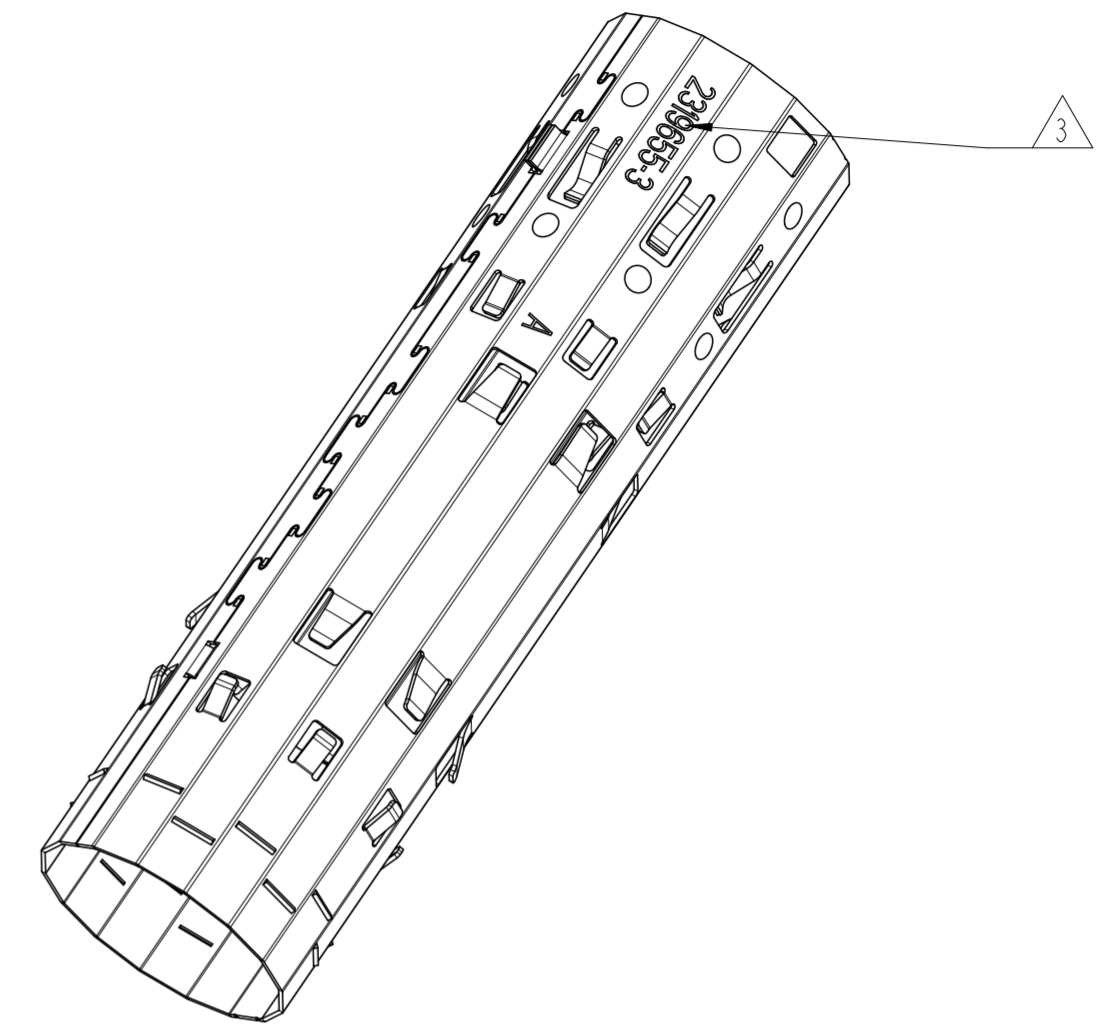
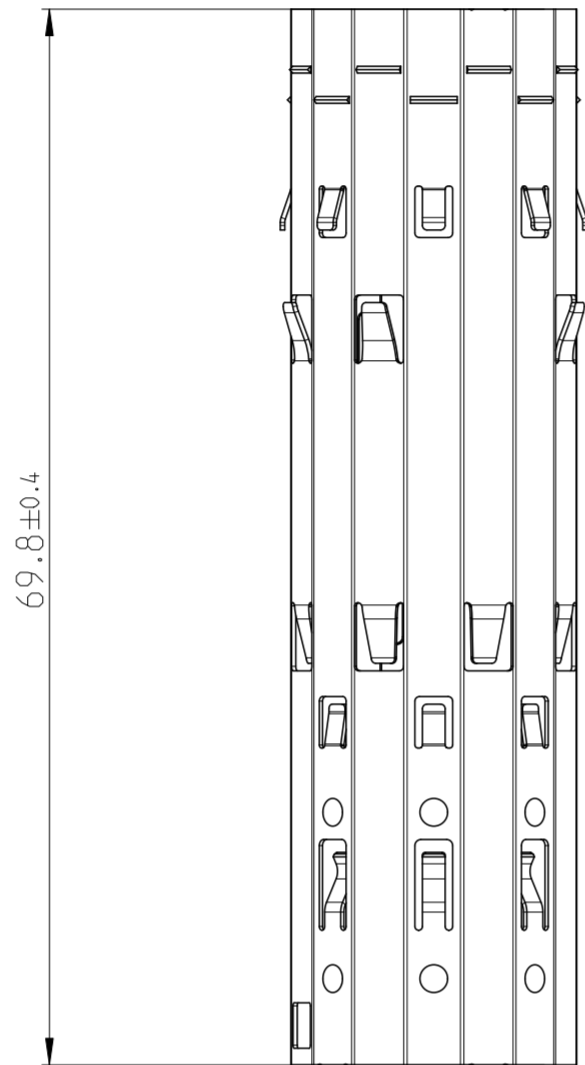


THIS DRAWING IS UNPUBLISHED. RELEASED FOR PUBLICATION 20  
 © COPYRIGHT 20 BY - ALL RIGHTS RESERVED.

LOC		DIST		REVISIONS			
P	LTR	DESCRIPTION	DATE	DWN	APVD		
-	-	A	RELEASED	02AUG17	JL	IY	



NOTES

- 1. MATERIAL SEE TABLE BELOW.
- 2. PACKAGE: LOOSE PIECE IN TRAY
- △ 3 PART NUMBER

2319655-3	SHIELDING SLEEVE,180 DEG	Cu ALLOY	(9.2)	TIN PLATING
TE-PART-NO.	DESCRIPTION	MATERIAL	WEIGHT (g)	SURFACE

THIS DRAWING IS A CONTROLLED DOCUMENT.		DWN J.LI	01AUG2017	TE Connectivity	
DIMENSIONS: mm		CHK SY.WANG	02AUG2017		
TOLERANCES UNLESS OTHERWISE SPECIFIED: ±0.4 1 PLC ±0.1 2 PLC ±0.01 3 PLC ±0.001 4 PLC ±0.0001 ANGLES ± FINISH		APVD J.YIN	02AUG2017		
MATERIAL		PRODUCT SPEC		NAME SHIELDING SLEEVE,180 DEG	
MATERIAL		APPLICATION SPEC		RESTRICTED TO	
MATERIAL		WEIGHT		SIZE A2	CAGE CODE 00779
MATERIAL		CUSTOMER DRAWING		DRAWING NO C-2319655	SCALE 1:1
MATERIAL		CUSTOMER DRAWING		SHEET 1	OF 1
MATERIAL		CUSTOMER DRAWING		REV A	