

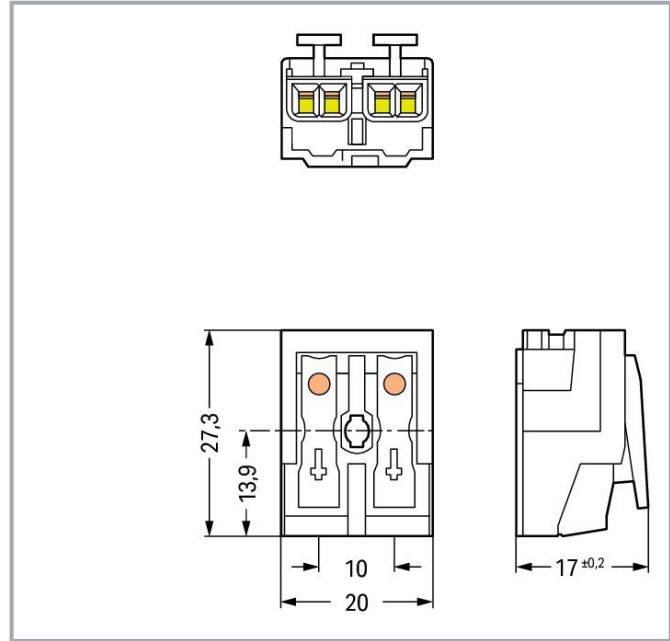
Data sheet | Item number: 294-4052

Lighting connector; push-button, external; without ground contact; 2-pole;
Lighting side: for solid conductors; Inst. side: for all conductor types; max.
2.5 mm²; Surrounding air temperature: max 85°C (T85); 2,50 mm²; white

www.wago.com/294-4052



Color:



Item description

- External connection of solid, stranded and fine-stranded conductors
- Universal conductor termination (AWG, metric)
- Third contact located at the bottom of internal connection end
- Strain relief plate can be retrofitted

Data

Electrical data

Subject to changes. Please also observe the further product documentation!

WAGO GmbH & Co. KG
Hansastr. 27
32423 Minden
Phone: +49571 887-0 | Fax: +49571 887-169
Email: info.de@wago.com | Web: www.wago.com

Do you have any questions about our products?
We are always happy to take your call at +49 (571) 887-44222.



Ratings per IEC/EN

| | |
|----------------------------|--------------------------------------------------------------------|
| Ratings per | IEC/EN 60998-1 |
| Ratings (note) | Connection points |
| Nominal voltage (II/2) | 500 V |
| Rated surge voltage (II/2) | 4 kV |
| Rated current | 24 A |
| Legend (ratings) | (II / 2) \triangleq Overvoltage category II / Pollution degree 2 |

Ratings per IEC/EN 2

| | |
|------------------------------|-------------------|
| Ratings per 2 | IEC/EN 60998-2-2 |
| Ratings (note) 2 | Connection points |
| Rated voltage (II/2) 2 | 500 V |
| Rated surge voltage (II/2) 2 | 4 kV |
| Rated current 2 | 24 A |

Connection data

| | |
|----------------------------|--------------------|
| Connection points | 10 |
| Total number of potentials | 2 |
| Number of connection types | 4 |
| PE function | without PE contact |

Connection 1

| | |
|------------------------------------------------------------|---------------------------------------------|
| Connection type 1 | External 1 |
| Connection technology | Push-in CAGE CLAMP® |
| Number of connection points | 2 |
| Actuation type | Push-button |
| Connectable conductor materials | Copper |
| Solid conductor | 0.5 ... 2.5 mm ² / 18 ... 12 AWG |
| Solid conductor; push-in termination | 0.5 ... 2.5 mm ² / 18 ... 12 AWG |
| Stranded conductor | 0.5 ... 2.5 mm ² / 18 ... 14 AWG |
| Fine-stranded conductor | 0.5 ... 2.5 mm ² / 18 ... 14 AWG |
| Fine-stranded conductor; with insulated ferrule | 0.5 ... 1.5 mm ² / 18 ... 16 AWG |
| Fine-stranded conductor; with uninsulated ferrule | 0.5 ... 1.5 mm ² / 18 ... 16 AWG |
| Fine-stranded conductor; with ferrule; push-in termination | 0.5 mm ² / 18 AWG |
| Strip length | 8 ... 9 mm / 0.31 ... 0.35 inches |

Subject to changes. Please also observe the further product documentation!



| | |
|------------------|-------------------|
| Pole number | 2 |
| Wiring direction | Side-entry wiring |

Connection 2

| | |
|-----------------------------------------------------|---------------------------------------------|
| Connection type 2 | Internal 2 |
| Connection technology 2 | PUSH WIRE® |
| Number of connection points 2 | 1 |
| Actuation type 2 | Push-in |
| Solid conductor 2 | 0.5 ... 2.5 mm ² / 18 ... 14 AWG |
| Fine-stranded conductor; with insulated ferrule 2 | 0.5 ... 1 mm ² / 18 ... 16 AWG |
| Fine-stranded conductor; with uninsulated ferrule 2 | 0.5 ... 1.5 mm ² / 18 ... 14 AWG |
| Strip length 2 | 8 ... 9 mm / 0.31 ... 0.35 inches |

Connection 3

| | |
|-----------------------------------------------------|---------------------------------------------|
| Connection type 3 | Internal 3 |
| Connection technology 3 | PUSH WIRE® |
| Number of connection points 3 | 1 |
| Actuation type 3 | Push-in |
| Solid conductor 3 | 0.5 ... 1.5 mm ² / 18 ... 16 AWG |
| Fine-stranded conductor; with insulated ferrule 3 | 0.5 ... 0.75 mm ² / 18 AWG |
| Fine-stranded conductor; with uninsulated ferrule 3 | 0.5 ... 1 mm ² / 18 AWG |
| Strip length 3 | 8 ... 9 mm / 0.31 ... 0.35 inches |

Connection 4

| | |
|-------------------------------|---------------------------------------|
| Connection type 4 | Internal 4 |
| Connection technology 4 | PUSH WIRE® |
| Number of connection points 4 | 1 |
| Actuation type 4 | Push-in |
| Solid conductor 4 | 0.5 ... 0.75 mm ² / 18 AWG |
| Strip length 4 | 8 ... 9 mm / 0.31 ... 0.35 inches |

Physical data

| | |
|-------------------------|------------------------|
| Pin spacing | 10 mm / 0.394 inches |
| Width | 20 mm / 0.787 inches |
| Height from the surface | 17 mm / 0.669 inches |
| Depth | 27.3 mm / 1.075 inches |

Subject to changes. Please also observe the further product documentation!

Mechanical Data

| | |
|---------------|-------------------------------|
| Marking | 1-N |
| Mounting type | Without snap-in mounting feet |

Material Data

| | |
|-----------------------------|----------------------------------------------------------|
| Note (material data) | Information on material specifications can be found here |
| Color | white |
| Material group | IIIa |
| Insulation material | Polycarbonate (PC) |
| Flammability class per UL94 | V0 |
| Clamping spring material | Chrome-nickel spring steel (CrNi) |
| Contact material | Electrolytic copper (E _{Cu}) |
| Contact plating | Tin |
| Fire load | 0.121 MJ |
| Halogen-free | Yes |
| Weight | 6.1 g |

Environmental requirements

| | |
|-----------------------|--------|
| Temperature stability | 120 °C |
| T marking | T85 |

Commercial data

| | |
|-----------------------|--------------------------------|
| Product Group | 8 (Misc. Chassis Mount Blocks) |
| eCl@ss 10.0 | 27-14-11-06 |
| eCl@ss 9.0 | 27-14-11-06 |
| ETIM 8.0 | EC001284 |
| ETIM 7.0 | EC001284 |
| PU (SPU) | 1000 pcs |
| Packaging type | Foil |
| Country of origin | CH |
| GTIN | 4050821097792 |
| Customs tariff number | 85369010000 |


Subject to changes. Please also observe the further product documentation!

Environmental Product Compliance

| | |
|-------------------------------------------|----------------------------------------------------------------------------------------------------------------------------------------------|
| CAS-No. | 131651-65-5 144317-44-2 220133-51-7 220689-12-3 25628-08-4 29420-49-3 375-73-5 503155-89-3 507453-86-3 68259-10-9 |
| REACH Candidate List Substance | Perfluorobutane sulfonic acid (PFBS) and its salts |
| RoHS Compliance Status | Compliant,With Exemption |
| RoHS Exemption | 6(c) 7(a) 7(c)-I 7(c)-II |
| SCIP notification number (Austria) | 5a5e424c-db60-4a3e-b813-06ce5c58e0cc |
| SCIP notification number (Belgium) | 35e86fff-6302-4612-81e9-3c3c5da25dae |
| SCIP notification number (Bulgaria) | 4fe6f42a-880a-4997-85e2-382c2c977a81 |
| SCIP notification number (Czech Republic) | 83626a17-565c-415a-9167-8db1cd8bbbdf |
| SCIP notification number (Denmark) | a6a2e812-6d98-4e34-b48e-420e3a325b5c |
| SCIP notification number (Finland) | 9f8587f5-a86b-4cb0-939b-32e165360d80 |
| SCIP notification number (France) | 76bd005a-4b82-4071-bfc9-13c817e72197 |
| SCIP notification number (Germany) | 9468f96c-bec1-4c33-a795-c35969f5ed05 |
| SCIP notification number (Hungary) | 884521a0-36c6-4bf9-9daf-bc1f56d58fbf |
| SCIP notification number (Italy) | f5f2aeb7-16a9-4a0d-96bd-de5de41cb4b3 |
| SCIP notification number (Netherlands) | 4bfe47c4-fb43-48ac-9a57-2a38824aff2e |
| SCIP notification number (Poland) | 3bdc64d8-69ae-4f6f-ba2f-22ad93a9ac07 |
| SCIP notification number (Romania) | 4f420822-6ea7-4409-a7cd-d3a422728293 |
| SCIP notification number (Sweden) | d2b1e3f8-9b1e-4ab8-8aa1-c63b7df88fd3 |

Approvals / Certificates

General approvals

| Logo | Approval | Additional Approval Text | Certificate name |
|------------------------------------------------------------------------------------|-------------------------------------|--------------------------|------------------|
|  | ENEC 05 DEKRA Certification B.V. | EN 60998 | 2128791.01 |

Subject to changes. Please also observe the further product documentation!

Declarations of conformity and manufacturer's declarations

| Logo | Approval | Additional Approval Text | Certificate name |
|----------------------------------------------------------------------------------|----------------------------------------------------|--------------------------|------------------|
|  | EU-Declaration of Conformity WAGO GmbH & Co. KG | - | - |
|  | UK-Declaration of Conformity WAGO GmbH & Co. KG | - | - |

Optional accessories

Strain relief

Strain relief

**Item no.: 294-370**

Strain relief; for 294 Series; with snap-in mounting feet; white

www.wago.com/294-370**Item no.: 294-375**

Strain relief; for 294 Series; without snap-in mounting feet; white

www.wago.com/294-375

Strain relief plate

**Item no.: 294-364**

Strain relief plate; for 294 Series; for multicore cables; 3- to 5-pole; with secured clamp; white

www.wago.com/294-364**Item no.: 294-384**

Strain relief plate; for 294 Series; for single strands; 3- to 5-pole; with secured clamp; white

www.wago.com/294-384

Tool

Operating tool

**Item no.: 206-294**

Disconnection tool; green

www.wago.com/206-294

Downloads

Documentation

Bid Text

Subject to changes. Please also observe the further product documentation!

WAGO GmbH & Co. KG

Hansastr. 27

32423 Minden

Phone: +49571 887-0 | Fax: +49571 887-169

Email: info.de@wago.com | Web: www.wago.com

Do you have any questions about our products?

We are always happy to take your call at +49 (571) 887-44222.



| | | | |
|-------------------------|-------------|----------------|----------|
| 294-4052 X81 - Datei | 2019 Feb 19 | xml 5.7 kB | Download |
| 294-4052 doc - Datei | 2017 Jun 13 | doc 27.6 kB | Download |

Additional Information

| | | | |
|---------------------------------------------|--|---------------|----------|
| Technical Section Technical explanations | | pdf 2.2 MB | Download |
|---------------------------------------------|--|---------------|----------|

CAD/CAE-Data

CAD data

| | | | |
|-----------------------|--|-----|----------|
| 2D/3D Models 294-4052 | | URL | Download |
|-----------------------|--|-----|----------|

CAE data

| | | | |
|-------------------------|--|-----|----------|
| WSCAD Universe 294-4052 | | URL | Download |
|-------------------------|--|-----|----------|

| | | | |
|-----------------------|--|-----|----------|
| ZUKEN Portal 294-4052 | | URL | Download |
|-----------------------|--|-----|----------|

Environmental Product Compliance

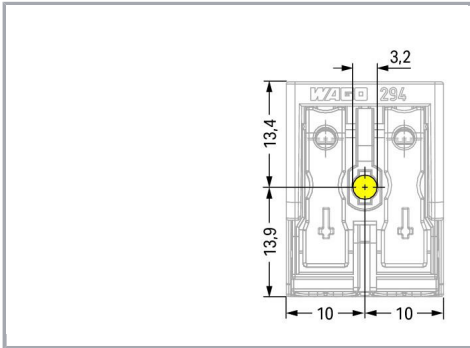
Compliance Search

| | | | |
|--------------------------------------------------------------------------------------------------------------------------------------------------------------------------------------------------------------------------------------------------------------------------------------------------------|--|-----|----------|
| Environmental Product Compliance 294-4052 Lighting connector; push-button, external; without ground contact; 2-pole; Lighting side: for solid conductors; Inst. side: for all conductor types; max. 2.5 mm ² ; Surrounding air temperature: max 85°C (T85); 2,50 mm ² ; white | | URL | Download |
|--------------------------------------------------------------------------------------------------------------------------------------------------------------------------------------------------------------------------------------------------------------------------------------------------------|--|-----|----------|

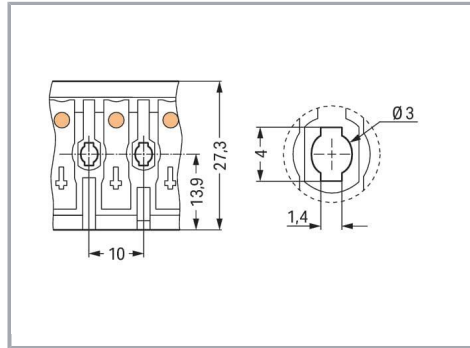
Installation Notes

Installation

Subject to changes. Please also observe the further product documentation!

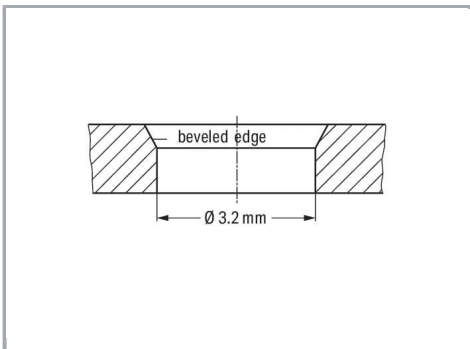


2-pole – without ground contact



Mounting hole for screw

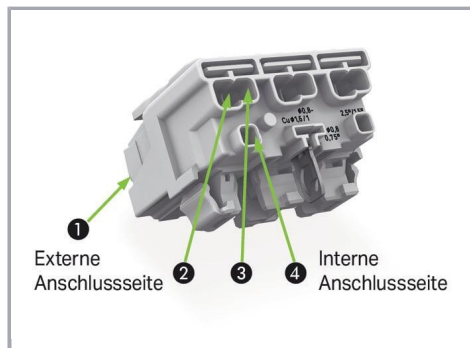
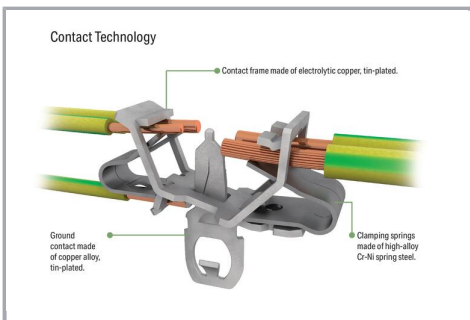
Notice: The maximum thread diameter for self-tapping screws is 3 mm.



Hole for screw mount

Notice: The maximum thread diameter for self-tapping screws is 3 mm.

Conductor termination



Subject to changes. Please also observe the further product documentation!

| EUROPE |
|--------------------------------------|
| 1 x 0.5 ... 2.5 mm ² "s" |
| 1 x 0.5 ... 1.5 mm ² "s" |
| 1 x 0.5 ... 0.75 mm ² "s" |
| AMERICA |
| 1 x AWG 18 ... 14 "s" |
| 1 x AWG 18 ... 16 "s" |
| 1 x AWG 18 "s" |
| JAPAN |
| 1 x 0.8 ... 1.6 mm diam. "s" |
| 1 x 0.8 ... 1 mm diam. "s" |
| 1 x 0.8 mm diam. "s" |

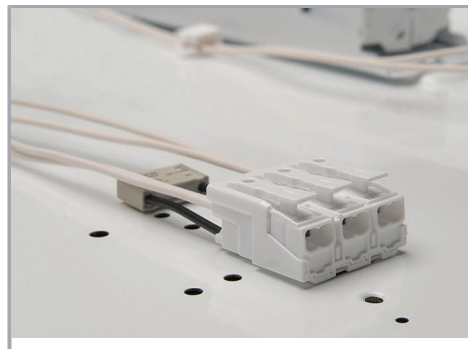
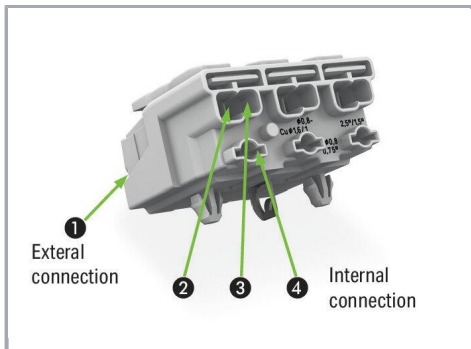
| EUROPE |
|-------------------------------------------------|
| 2 x 0.5 ... 2.5 mm ² "s, str, f-str" |
| |
| AMERICA |
| 2 x AWG 18 ... 12 "s" |
| 2 x AWG 18 ... 14 "s, f-str" |
| |
| JAPAN |
| 2 x 0.8 ... 2 mm diam. "s" |
| 2 x 0.5 ... 2 mm ² "str, f-str" |
| |

Internal connection:

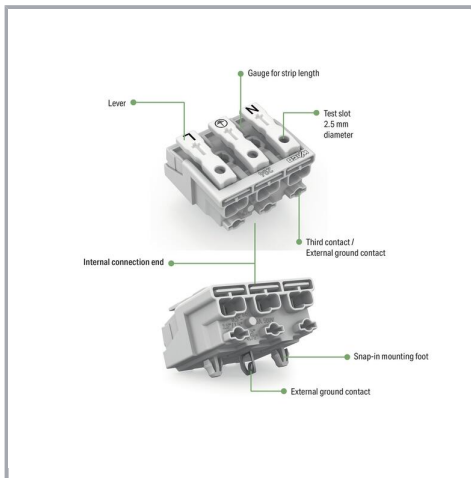
PUSH WIRE® for internal wiring with solid conductors

External connection:

Push-in CAGE CLAMP® for field-wiring with all conductor types



Terminating five conductors per pole – solid and fine-stranded.



Subject to changes. Please also observe the further product documentation!