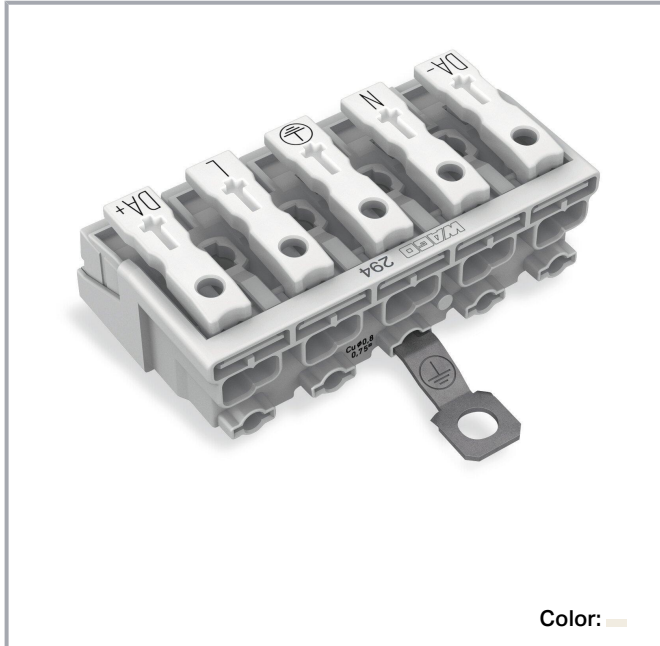


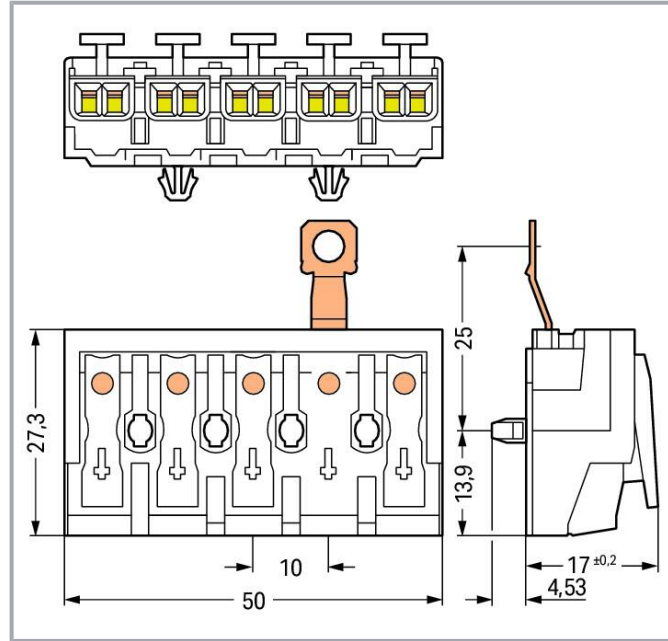
## Data sheet | Item number: 294-5475

Lighting connector; push-button, external; with screw-type ground contact;  
5-pole; Lighting side: for solid conductors; Inst. side: for all conductor types;  
max. 2.5 mm<sup>2</sup>; Surrounding air temperature: max 85°C (T85); 2,50 mm<sup>2</sup>; white

[www.wago.com/294-5475](http://www.wago.com/294-5475)



Color:  



### Item description

- External connection of solid, stranded and fine-stranded conductors
- Universal conductor termination (AWG, metric)
- Third contact located at the bottom of internal connection end
- Strain relief plate can be retrofitted

### Data

#### Electrical data

#### Ratings per IEC/EN

|                            |                   |
|----------------------------|-------------------|
| Ratings per                | IEC/EN 60998-1    |
| Ratings (note)             | Connection points |
| Nominal voltage (II/2)     | 500 V             |
| Rated surge voltage (II/2) | 4 kV              |
| Rated current              | 24 A              |

Subject to changes. Please also observe the further product documentation!

WAGO GmbH & Co. KG  
Hansastr. 27  
32423 Minden  
Phone: +49571 887-0 | Fax: +49571 887-169  
Email: [info.de@wago.com](mailto:info.de@wago.com) | Web: [www.wago.com](http://www.wago.com)

Do you have any questions about our products?  
We are always happy to take your call at +49 (571) 887-44222.

Legend (ratings)

(II / 2)  $\triangleq$  Overvoltage category II / Pollution degree 2

## Ratings per IEC/EN 2

|                              |                   |
|------------------------------|-------------------|
| Ratings per 2                | IEC/EN 60998-2-2  |
| Ratings (note) 2             | Connection points |
| Rated voltage (II/2) 2       | 500 V             |
| Rated surge voltage (II/2) 2 | 4 kV              |
| Rated current 2              | 24 A              |

## Connection data

|                            |                       |
|----------------------------|-----------------------|
| Connection points          | 25                    |
| Total number of potentials | 5                     |
| Number of connection types | 4                     |
| PE function                | Screw-type PE contact |

## Connection 1

|  |   |
|--|---|
| Connection type 1  | External 1                                  |
| Connection technology                                      | Push-in CAGE CLAMP <sup>®</sup>             |
| Number of connection points                                | 2   |
| Actuation type   | Push-button                                 |
| Connectable conductor materials                            | Copper                                      |
| Solid conductor  | 0.5 ... 2.5 mm <sup>2</sup> / 18 ... 12 AWG |
| Solid conductor; push-in termination                       | 0.5 ... 2.5 mm <sup>2</sup> / 18 ... 12 AWG |
| Stranded conductor   | 0.5 ... 2.5 mm <sup>2</sup> / 18 ... 14 AWG |
| Fine-stranded conductor                                    | 0.5 ... 2.5 mm <sup>2</sup> / 18 ... 14 AWG |
| Fine-stranded conductor; with insulated ferrule            | 0.5 ... 1.5 mm <sup>2</sup> / 18 ... 16 AWG |
| Fine-stranded conductor; with uninsulated ferrule          | 0.5 ... 1.5 mm <sup>2</sup> / 18 ... 16 AWG |
| Fine-stranded conductor; with ferrule; push-in termination | 0.5 mm <sup>2</sup> / 18 AWG                |
| Strip length   | 8 ... 9 mm / 0.31 ... 0.35 inches           |
| Pole number  | 5   |
| Wiring direction   | Side-entry wiring                           |

## Connection 2

|                               |                        |
|-------------------------------|------------------------|
| Connection type 2             | Internal 2             |
| Connection technology 2       | PUSH WIRE <sup>®</sup> |
| Number of connection points 2 | 1                      |

Subject to changes. Please also observe the further product documentation!



|   |   |
|---|---|
| Actuation type 2                                    | Push-in                                     |
| Solid conductor 2                                   | 0.5 ... 2.5 mm <sup>2</sup> / 18 ... 14 AWG |
| Fine-stranded conductor; with insulated ferrule 2   | 0.5 ... 1 mm <sup>2</sup> / 18 ... 16 AWG   |
| Fine-stranded conductor; with uninsulated ferrule 2 | 0.5 ... 1.5 mm <sup>2</sup> / 18 ... 14 AWG |
| Strip length 2                                      | 8 ... 9 mm / 0.31 ... 0.35 inches           |

### Connection 3

|   |   |
|---|---|
| Connection type 3                                   | Internal 3                                  |
| Connection technology 3                             | PUSH WIRE®                                  |
| Number of connection points 3                       | 1   |
| Actuation type 3                                    | Push-in                                     |
| Solid conductor 3                                   | 0.5 ... 1.5 mm <sup>2</sup> / 18 ... 16 AWG |
| Fine-stranded conductor; with insulated ferrule 3   | 0.5 ... 0.75 mm <sup>2</sup> / 18 AWG       |
| Fine-stranded conductor; with uninsulated ferrule 3 | 0.5 ... 1 mm <sup>2</sup> / 18 AWG          |
| Strip length 3                                      | 8 ... 9 mm / 0.31 ... 0.35 inches           |

### Connection 4

|                               |                                       |
|-------------------------------|---------------------------------------|
| Connection type 4             | Internal 4                            |
| Connection technology 4       | PUSH WIRE®                            |
| Number of connection points 4 | 1                                     |
| Actuation type 4              | Push-in                               |
| Solid conductor 4             | 0.5 ... 0.75 mm <sup>2</sup> / 18 AWG |
| Strip length 4                | 8 ... 9 mm / 0.31 ... 0.35 inches     |

### Physical data

|                         |                         |
|-------------------------|-------------------------|
| Pin spacing             | 10 mm / 0.394 inches    |
| Width                   | 50 mm / 1.969 inches    |
| Height                  | 21.53 mm / 0.848 inches |
| Height from the surface | 17 mm / 0.669 inches    |
| Depth                   | 27.3 mm / 1.075 inches  |

### Mechanical Data

|               |                           |
|---------------|---------------------------|
| Marking       | DA- N $\frac{1}{2}$ L DA+ |
| Mounting type | Snap-in foot              |

Subject to changes. Please also observe the further product documentation!



## Material Data

Note (material data)

Information on material specifications can be found here

|                             |  |
|-----------------------------|--|
| Color                       | white                                  |
| Material group              | IIIa                                   |
| Insulation material         | Polycarbonate (PC)                     |
| Flammability class per UL94 | V0                                     |
| Clamping spring material    | Chrome-nickel spring steel (CrNi)      |
| Contact material            | Electrolytic copper (E <sub>Cu</sub> ) |
| Contact plating             | Tin                                    |
| Fire load                   | 0.302 MJ                               |
| Halogen-free                | Yes                                    |
| Weight                      | 15.9 g                                 |

## Environmental requirements

|                       |        |
|-----------------------|--------|
| Temperature stability | 120 °C |
| T marking             | T85    |

## Commercial data

|                       |                                |
|-----------------------|--------------------------------|
| Product Group         | 8 (Misc. Chassis Mount Blocks) |
| eCl@ss 10.0           | 27-14-11-06                    |
| eCl@ss 9.0            | 27-14-11-06                    |
| ETIM 8.0              | EC001284                       |
| ETIM 7.0              | EC001284                       |
| PU (SPU)              | 250 pcs                        |
| Packaging type        | bag                            |
| Country of origin     | PL                             |
| GTIN                  | 4050821098652                  |
| Customs tariff number | 85369010000                    |

## Environmental Product Compliance

|         |             |
|---------|-------------|
| CAS-No. | 131651-65-5 |
|         | 144317-44-2 |
|         | 220133-51-7 |
|         | 220689-12-3 |

Subject to changes. Please also observe the further product documentation!

WAGO GmbH & Co. KG  
 Hansastr. 27  
 32423 Minden  
 Phone: +49571 887-0 | Fax: +49571 887-169  
 Email: [info.de@wago.com](mailto:info.de@wago.com) | Web: [www.wago.com](http://www.wago.com)


Do you have any questions about our products?  
 We are always happy to take your call at +49 (571) 887-44222.

25628-08-4  
29420-49-3  
375-73-5  
503155-89-3  
507453-86-3  
68259-10-9

|   |  |
|---|--|
| REACH Candidate List Substance            | Perfluorobutane sulfonic acid (PFBS) and its salts |
| RoHS Compliance Status                    | Compliant, With Exemption                          |
| RoHS Exemption                            | 6(c)<br>7(a)<br>7(c)-I<br>7(c)-II                  |
| SCIP notification number (Austria)        | 52645d39-f775-46c8-80fd-10eb2837ee7b               |
| SCIP notification number (Belgium)        | 16703fb9-5912-4a04-ab51-ad26e6415f76               |
| SCIP notification number (Bulgaria)       | 240b157c-73c8-4b12-aa72-89918796138e               |
| SCIP notification number (Czech Republic) | c772ac87-8c8d-4555-9a3f-c547022738e8               |
| SCIP notification number (Denmark)        | 34cb7e69-02fa-4386-8f7f-06caf7a23821               |
| SCIP notification number (Finland)        | 317976f5-2896-4c1d-95de-825895f648b0               |
| SCIP notification number (France)         | 8598d517-4754-4df3-819f-e422e3626f92               |
| SCIP notification number (Germany)        | 809fe3a6-0986-4ec9-8315-d76001514139               |
| SCIP notification number (Hungary)        | 9479c5ac-e871-49e9-abf0-d0bccef656f3               |
| SCIP notification number (Italy)          | 3040f56f-fc5b-48d3-8106-5bf11b505a44               |
| SCIP notification number (Netherlands)    | 37582588-f4d7-45e0-97b8-81ae886ae644               |
| SCIP notification number (Poland)         | d49bf477-d994-4d77-8526-e3ea00175e9a               |
| SCIP notification number (Romania)        | 480ef5d9-4bde-485a-8083-067aa7427240               |
| SCIP notification number (Sweden)         | 6bf60d45-845b-40c6-a607-4bb359fccd7e               |

## Approvals / Certificates

### General approvals

| Logo   | Approval                            | Additional Approval Text | Certificate name |
|--|-------------------------------------|--------------------------|------------------|
|  | ENEC 05<br>DEKRA Certification B.V. | EN 60998                 | 2128791.01       |

### Declarations of conformity and manufacturer's declarations

| Logo | Approval  | Additional Approval Text | Certificate name |
|------|---|--------------------------|------------------|
|      | <b>EU-Declaration of Conformity</b><br>WAGO GmbH & Co. KG | -                        | -                |

Subject to changes. Please also observe the further product documentation!

WAGO GmbH & Co. KG  
Hansastr. 27  
32423 Minden  
Phone: +49571 887-0 | Fax: +49571 887-169  
Email: [info.de@wago.com](mailto:info.de@wago.com) | Web: [www.wago.com](http://www.wago.com)

Do you have any questions about our products?  
We are always happy to take your call at +49 (571) 887-44222.



UK-Declaration of Conformity  
WAGO GmbH & Co. KG

## Optional accessories

### Strain relief

Strain relief



**Item no.: 294-370**  
Strain relief; for 294 Series; with snap-in mounting feet; white

[www.wago.com/294-370](http://www.wago.com/294-370)



**Item no.: 294-375**  
Strain relief; for 294 Series; without snap-in mounting feet; white

[www.wago.com/294-375](http://www.wago.com/294-375)

Strain relief plate



**Item no.: 294-364**  
Strain relief plate; for 294 Series; for multicore cables; 3- to 5-pole; with secured clamp; white

[www.wago.com/294-364](http://www.wago.com/294-364)



**Item no.: 294-384**  
Strain relief plate; for 294 Series; for single strands; 3- to 5-pole; with secured clamp; white

[www.wago.com/294-384](http://www.wago.com/294-384)

### Tool

Operating tool



**Item no.: 206-294**  
Disconnection tool; green

[www.wago.com/206-294](http://www.wago.com/206-294)

## Downloads

### Documentation

#### Bid Text

|             |             |        |          |
|-------------|-------------|--------|----------|
| 294-5475    | 2019 Feb 19 | xml    | Download |
| X81 - Datei |             | 5.7 kB |          |

294-5475

Subject to changes. Please also observe the further product documentation!

WAGO GmbH & Co. KG  
Hansastr. 27  
32423 Minden  
Phone: +49571 887-0 | Fax: +49571 887-169  
Email: [info.de@wago.com](mailto:info.de@wago.com) | Web: [www.wago.com](http://www.wago.com)

Do you have any questions about our products?  
We are always happy to take your call at +49 (571) 887-44222.



|             |             |         |          |
|-------------|-------------|---------|----------|
| 294-5475    | 2017 Jun 13 | doc     | Download |
| doc - Datei |             | 29.2 kB |          |

#### Additional Information

|                        |  |        |          |
|------------------------|--|--------|----------|
| Technical Section      |  | pdf    | Download |
| Technical explanations |  | 2.2 MB |          |

#### CAD/CAE-Data

##### CAD data

|                       |  |     |          |
|-----------------------|--|-----|----------|
| 2D/3D Models 294-5475 |  | URL | Download |
|-----------------------|--|-----|----------|

##### CAE data

|                         |  |     |          |
|-------------------------|--|-----|----------|
| WSCAD Universe 294-5475 |  | URL | Download |
|-------------------------|--|-----|----------|

|                       |  |     |          |
|-----------------------|--|-----|----------|
| ZUKEN Portal 294-5475 |  | URL | Download |
|-----------------------|--|-----|----------|

#### Environmental Product Compliance

##### Compliance Search

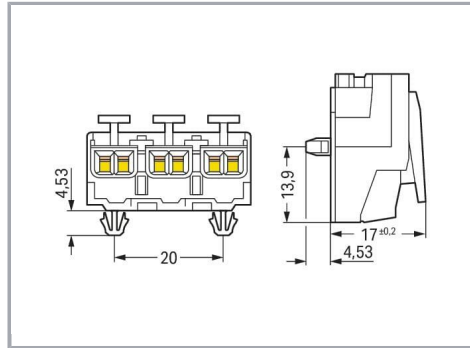
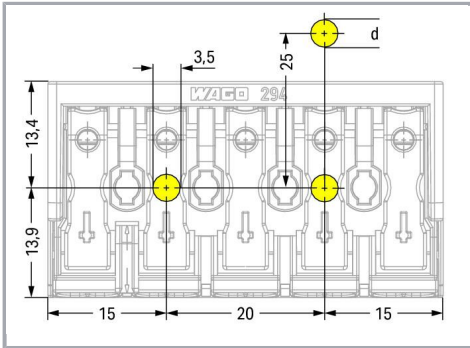
|   |  |     |          |
|---|--|-----|----------|
| Environmental Product Compliance 294-5475 |  | URL | Download |
|---|--|-----|----------|

Lighting connector; push-button, external; with screw-type ground contact; 5-pole;  
Lighting side: for solid conductors; Inst. side: for all conductor types; max. 2.5 mm<sup>2</sup>;  
Surrounding air temperature: max 85°C (T85); 2,50 mm<sup>2</sup>; white

#### Installation Notes

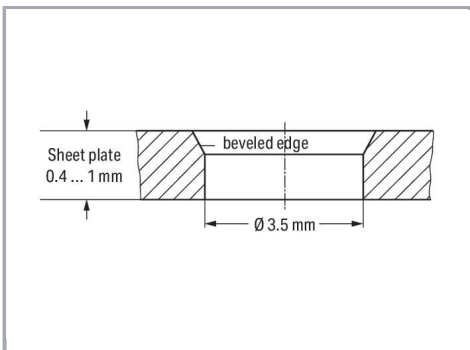
##### Installation

Subject to changes. Please also observe the further product documentation!



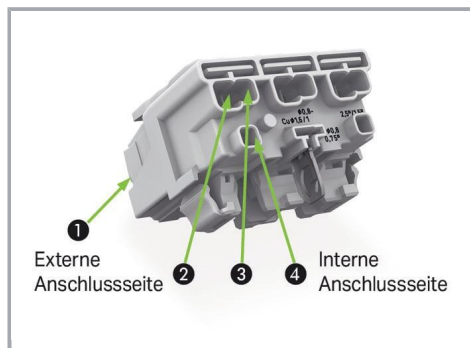
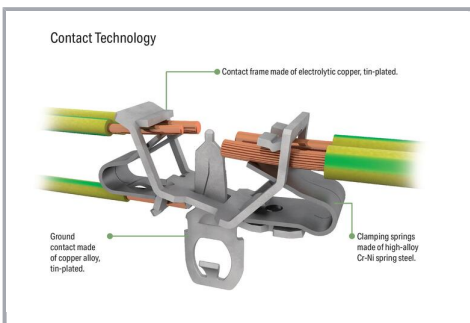
5-pole – with screw-type ground contact,  $d \leq 4.1$  mm

Snap-in foot



Drilled hole for snap-in mounting foot

### Conductor termination



Subject to changes. Please also observe the further product documentation!



| EUROPE                               |
|--------------------------------------|
| 1 x 0.5 ... 2.5 mm <sup>2</sup> "s"  |
| 1 x 0.5 ... 1.5 mm <sup>2</sup> "s"  |
| 1 x 0.5 ... 0.75 mm <sup>2</sup> "s" |
| AMERICA                              |
| 1 x AWG 18 ... 14 "s"                |
| 1 x AWG 18 ... 16 "s"                |
| 1 x AWG 18 "s"                       |
| JAPAN                                |
| 1 x 0.8 ... 1.6 mm diam. "s"         |
| 1 x 0.8 ... 1 mm diam. "s"           |
| 1 x 0.8 mm diam. "s"                 |

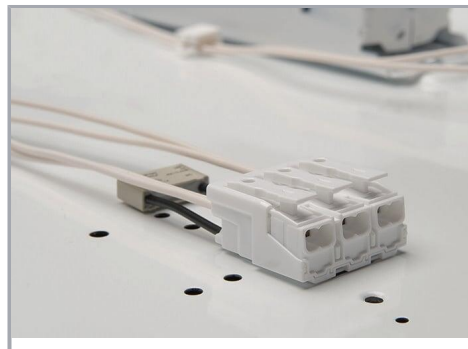
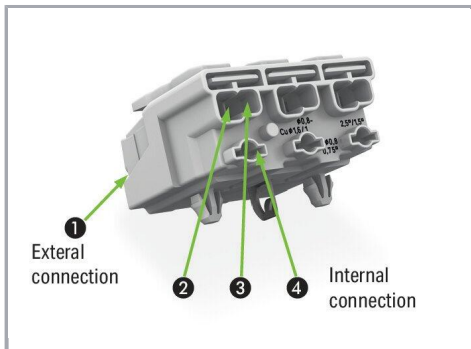
| EUROPE  |
|---|
| 2 x 0.5 ... 2.5 mm <sup>2</sup> "s, str, f-str" |
|   |
| AMERICA   |
| 2 x AWG 18 ... 12 "s"                           |
| 2 x AWG 18 ... 14 "s, f-str"                    |
|   |
| JAPAN   |
| 2 x 0.8 ... 2 mm diam. "s"                      |
| 2 x 0.5 ... 2 mm <sup>2</sup> "str, f-str"      |
|   |

**Internal connection:**

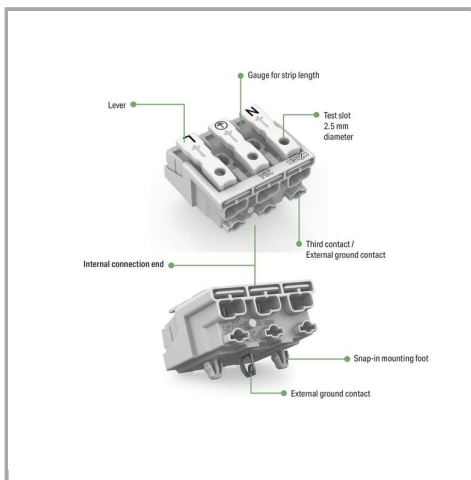
PUSH WIRE® for internal wiring with solid conductors

**External connection:**

Push-in CAGE CLAMP® for field-wiring with all conductor types



Terminating five conductors per pole – solid and fine-stranded.



Subject to changes. Please also observe the further product documentation!