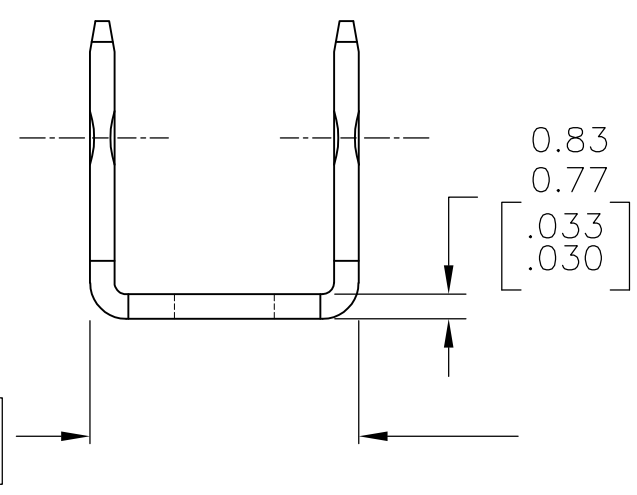
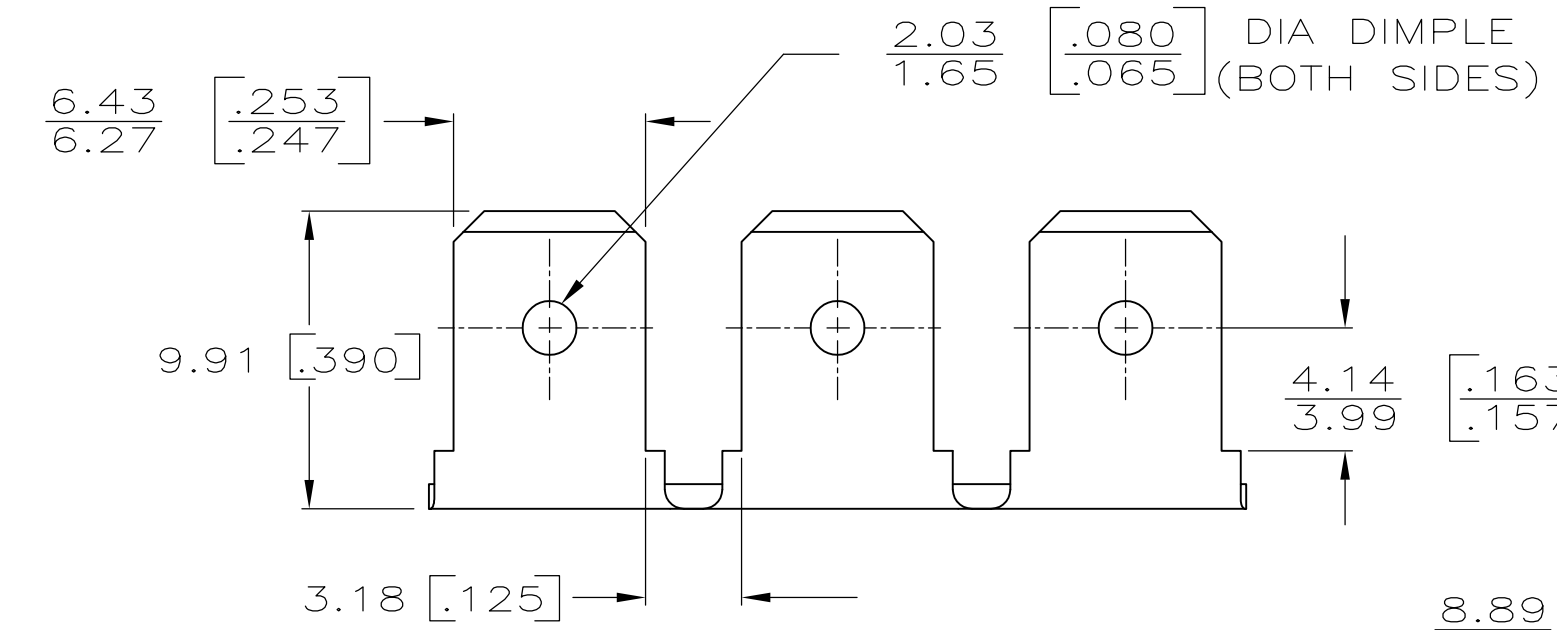
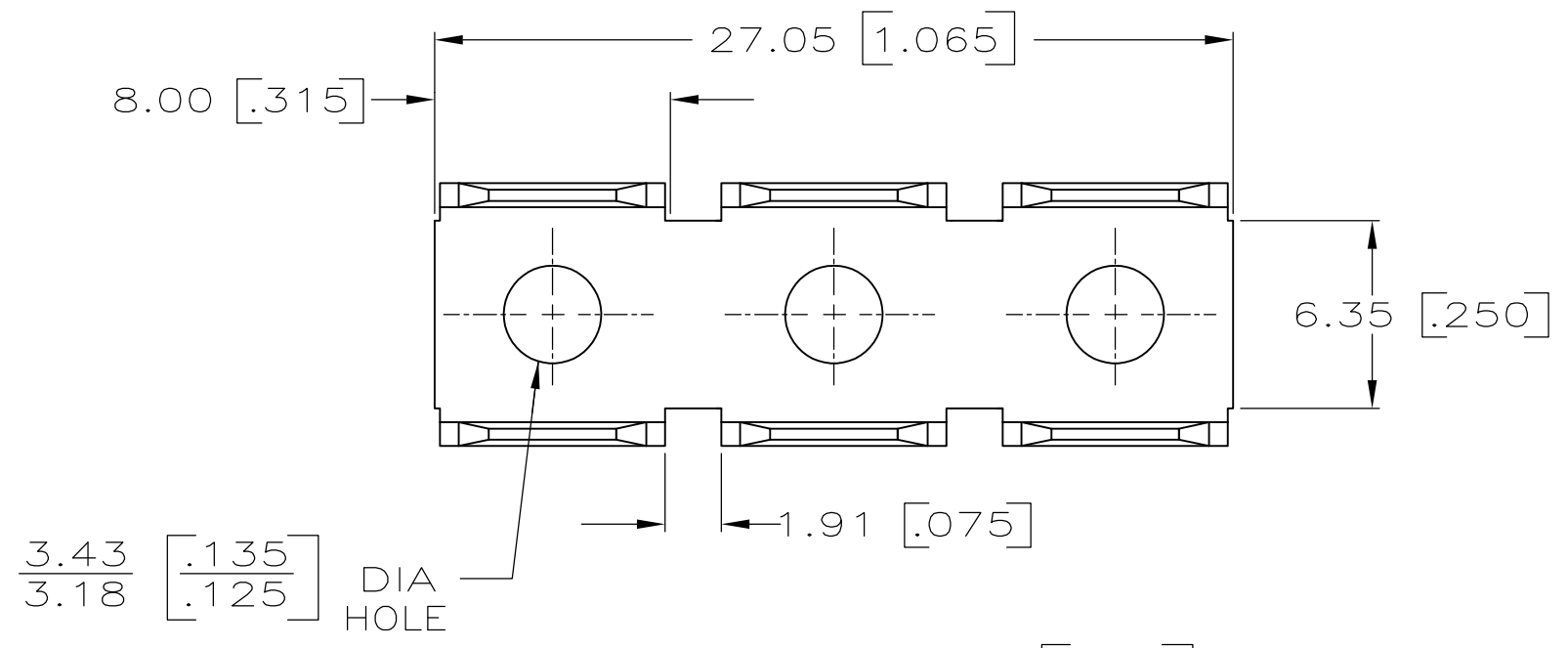


THIS DRAWING IS UNPUBLISHED. RELEASED FOR PUBLICATION
 © COPYRIGHT - By - ALL RIGHTS RESERVED.

LOC	DIST	REVISIONS					
		P	LTR	DESCRIPTION	DATE	DWN	APVD
-	-		AH	REVISED PER ECR-13-011489	10DEC2013	KH	PD

- 1 DIMENSIONS IN BRACKETS ARE IN INCHES.
- 2 SUPPLIED IN LOOSE PIECE.



41292
 PART NUMBER

THIS DRAWING IS A CONTROLLED DOCUMENT.		DWN	JR RUTH	8/12/86	STE TE Connectivity		
DIMENSIONS: mm [INCHES]		CHK	G YETTER	8/12/86			
TOLERANCES UNLESS OTHERWISE SPECIFIED:		APVD	C MEYERS	8/13/86	NAME		
0 PLC ± -		PRODUCT SPEC		.250 SERIES FASTON TAB			
1 PLC ± -		APPLICATION SPEC		-			
2 PLC ± -		SIZE	A3	CAGE CODE	00779	DRAWING NO	C-41292
3 PLC ± 0.25 [.010]		WEIGHT		-		RESTRICTED TO	
4 PLC ± -		CUSTOMER DRAWING					
ANGLES ± -		SCALE		4:1		SHEET 1 OF 1	
FINISH -		REV		AH			
MATERIAL BRASS							