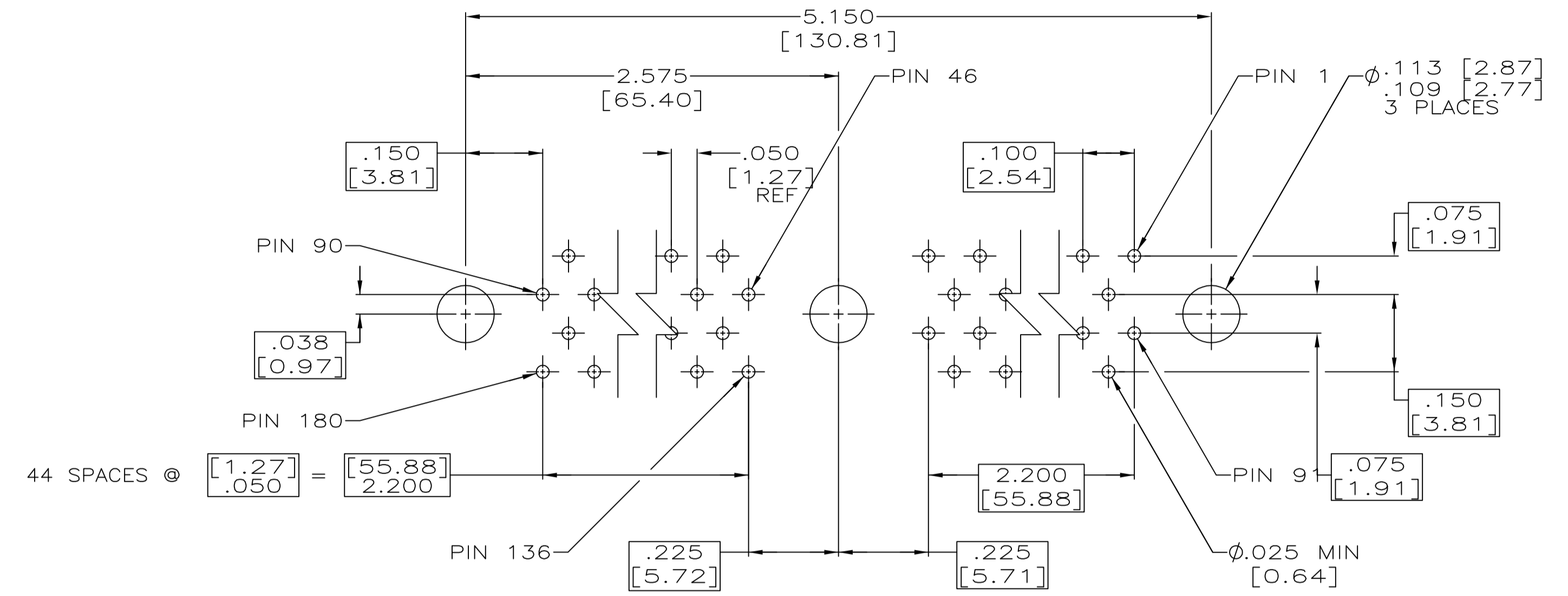
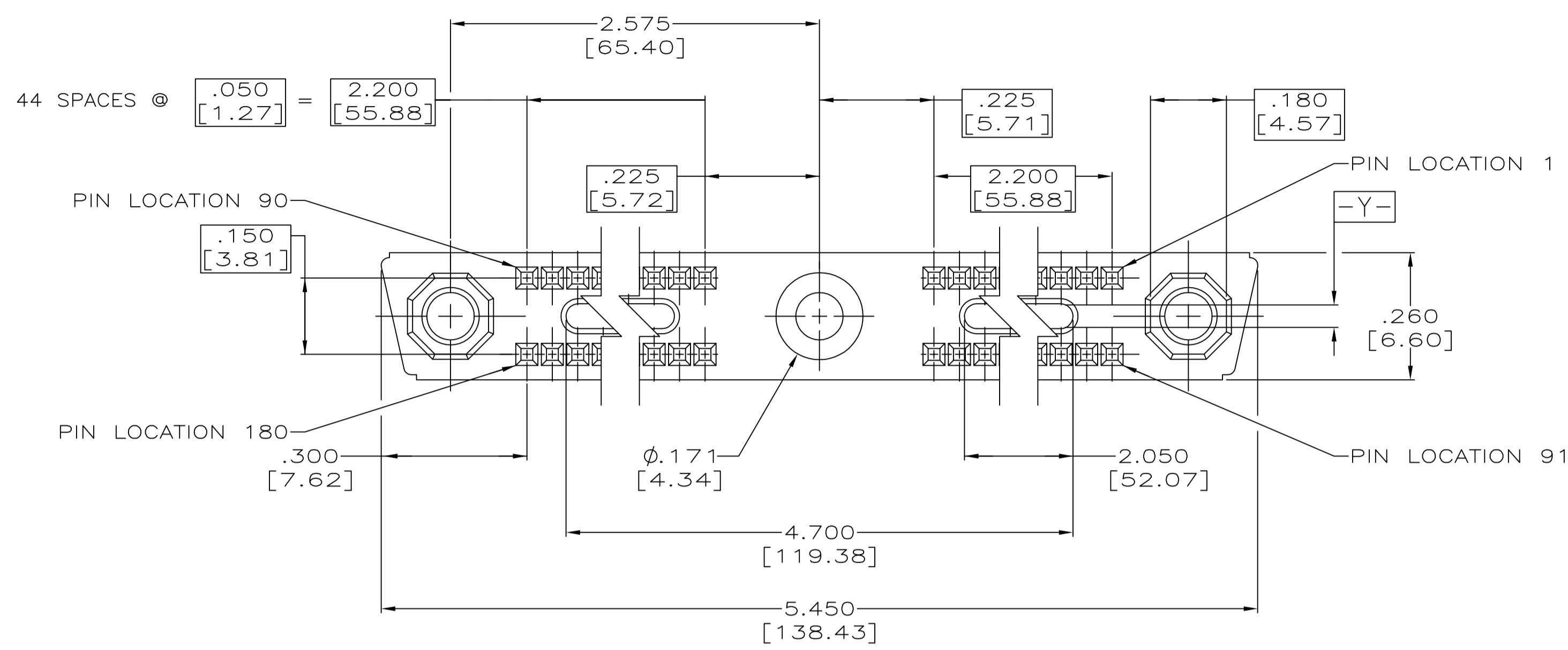
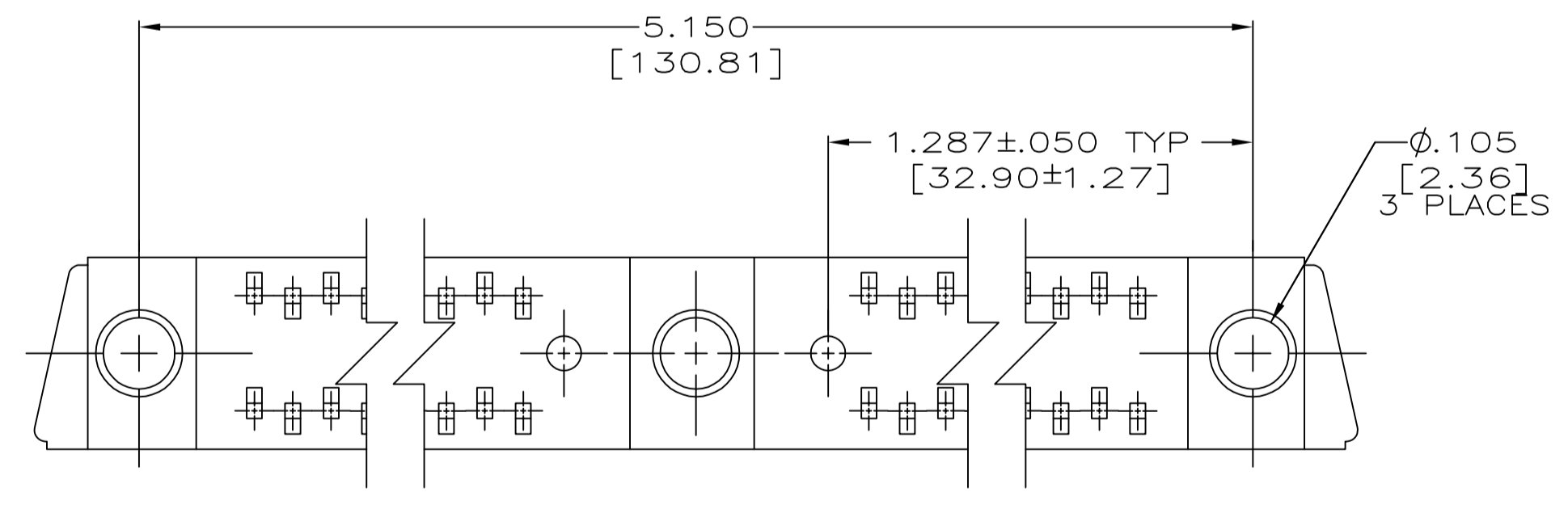
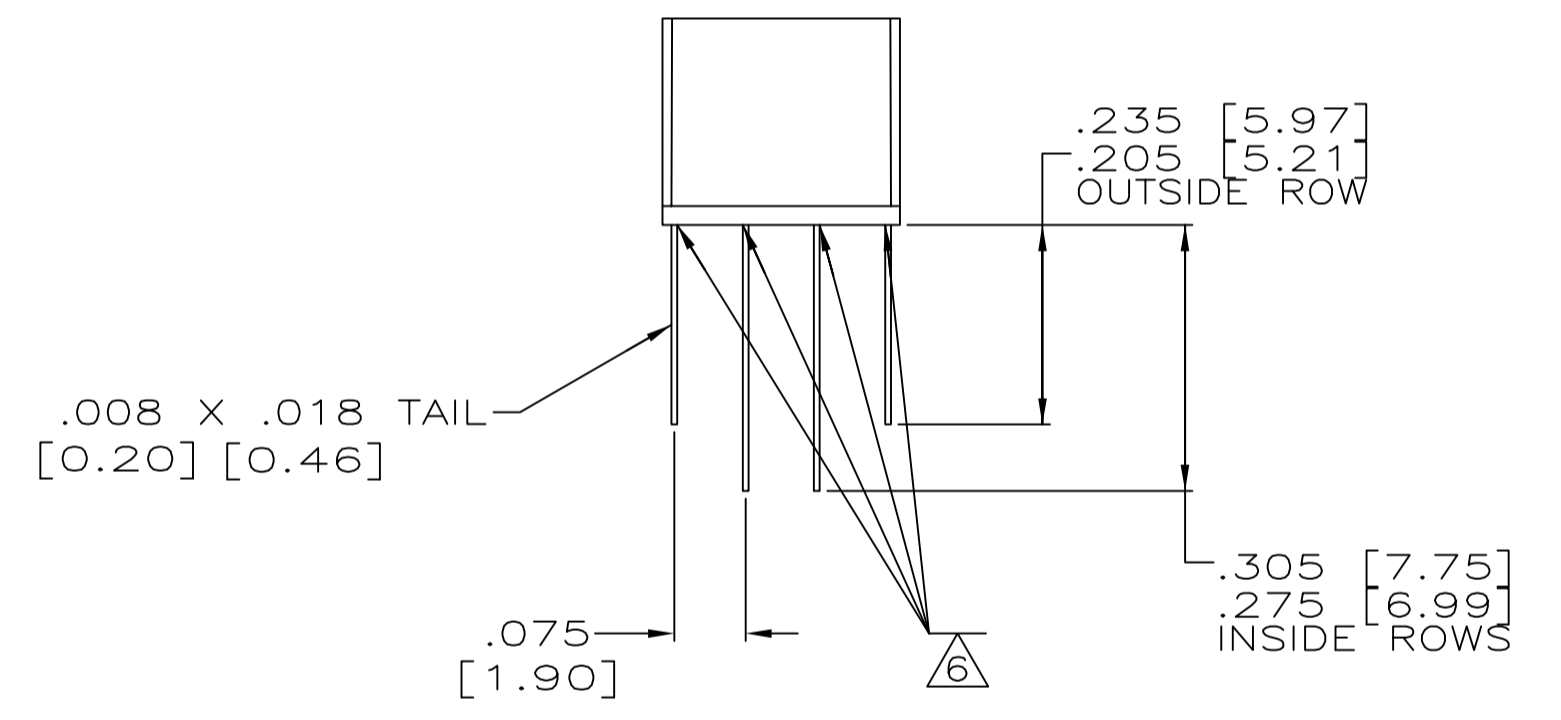
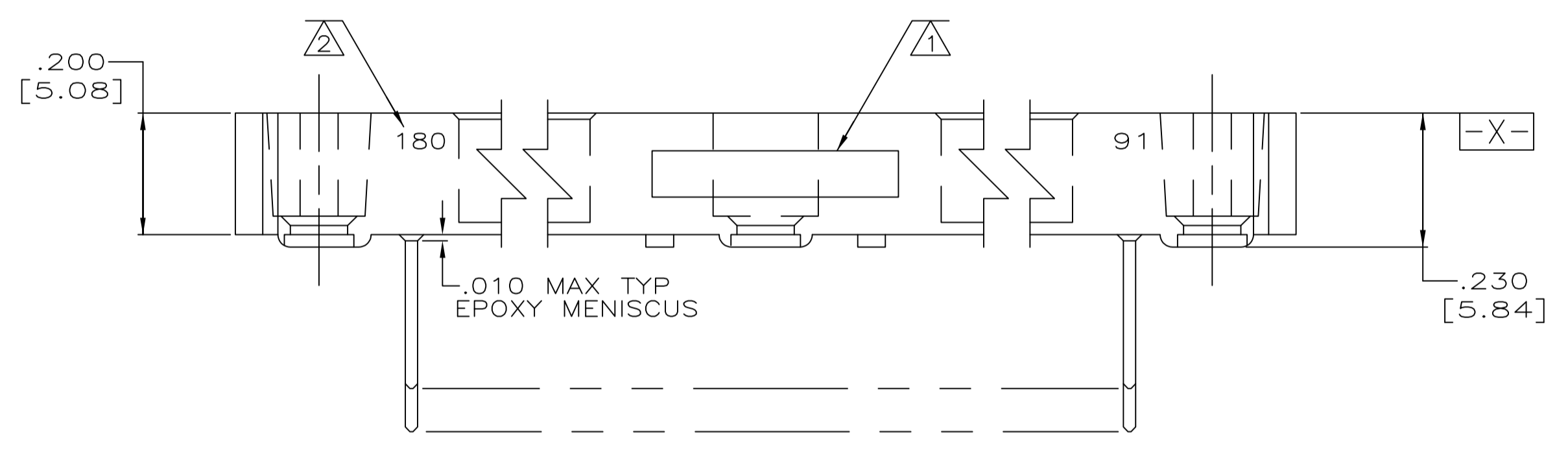


REVISIONS					
P	LTR	DESCRIPTION	DATE	OWN	APVD
G		REVISED PER ECO-16-017894	27APR2017	PHM	CT



RECOMMENDED P. C. BOARD LAYOUT



- 1 AMP, AMP PART NO., DATE CODE AND CUSTOMER PART NO. (859779-1) MARKED THIS APPROX. AREA, THIS SIDE.
- 2 NUMBERS INDICATING END POSITIONS MARKED THIS SIDE ONLY.
- 3. MEETS ALL APPLICABLE REQUIREMENTS OF MIL-C-55302.
- 4 .000050 GOLD ALL OVER NICKEL UNDERPLATE IN CONTACT AREA, GOLD FLASH OVER NICKEL UNDERPLATE REMAINDER OF CONTACT.
- 5 HOUSING MATERIAL: LIQUID CRYSTAL POLYMER PER MIL-M-24519, GLCP-30F; COLOR: GRAY.
- 6 EPOXY IS ADDED TO BOTTOM OF HOUSING FOR CONTACT RETENTION.

180 & 91	446447-1
CAVITY IDENT	PART NO

THIS DRAWING IS A CONTROLLED DOCUMENT.		OWN T. SHUEY 7-27-89	NAME
DIMENSIONS: INCHES(mm)		CHK D. STONER 7-29-89	RECEPTACLE ASSEMBLY, EXTENDED MINI BOX, REVERSE CIRCUIT ID, W/LOW FORCE CONTACTS
TOLERANCES UNLESS OTHERWISE SPECIFIED:		APVD D. STONER 7-29-89	PRODUCT SPEC
0 PLC ± -		APPLICATION SPEC	
1 PLC ± -		SIZE CAGE CODE DRAWING NO	
2 PLC ± -		A1 00779 C=446447	
3 PLC ± .010 [0.25]		RESTRICTED TO	
4 PLC ± -		CUSTOMER DRAWING	
ANGLES ± -		SCALE 5:1	
FINISH ± -		SHEET 1 OF 1	
MATERIAL - Δ		REV G	