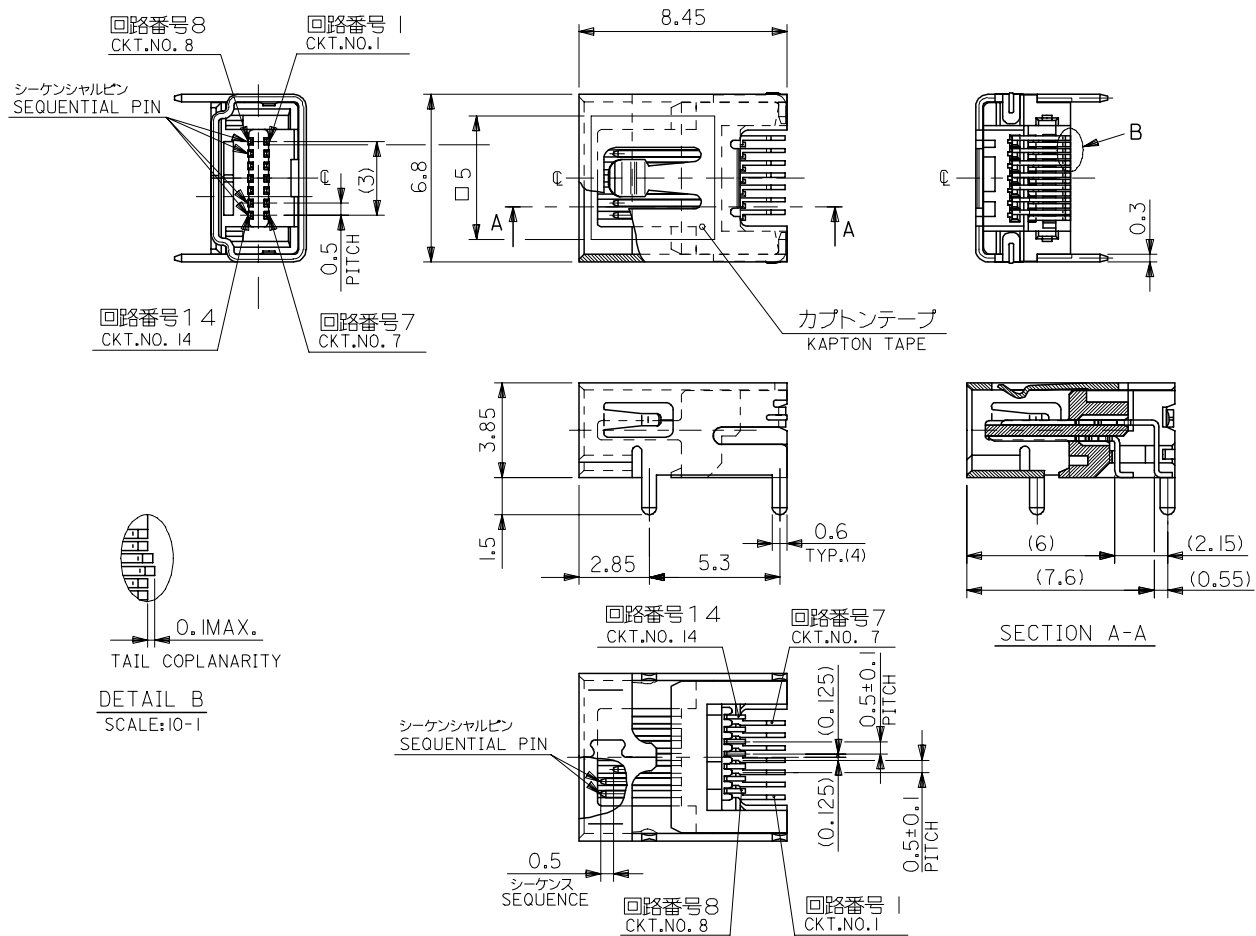


NOTE:

1. 適合リセ番号: 500240-1401
(CABLE HARNESS)
APPLICABLE REC. NO.: 500240-1401
(CABLE HARNESS)
2. 材質
MATERIAL
 - 2-1.ハウジング: ガラス入り耐熱樹脂
94V-0, 黒色
HOUSING: G.F. HEAT RESISTANT PLASTIC
94V-0, BLACK COLOR
 - 2-2. ターミナル: 銅合金
TERMINAL: COPPER ALLOY
 - 2-3. プラグ シールド: ステンレス鋼
PLUG SHIELD: STAINLESS STEEL
3. メッキ仕様
PLATING
 - 3-1. ターミナル
TERMINAL
 - 3-1-1. 接点部: 金メッキ 0.1umMIN.
CONTACT AREA: GOLD
 - : パラジウムニッケルメッキ 0.2umMIN.
PALLADIUM-NICKEL
 - 3-1-2. 半田付け部: 錫メッキ 1.0um以上
SOLDER TAIL AREA: TIN
 - 3-1-3. 下地メッキ: ニッケルメッキ 1.5 ~ 3um
UNDER-PLATING: NICKEL
 - 3-2. プラグ シールド
PLUG SHIELD
 - 3-2-1. 金コート処理
GOLD COATING
 - 3-2-2. 下地メッキ: ニッケルメッキ 1.0 ~ 2um
UNDER-PLATING: NICKEL
4. 本製品は 55768-1425 の鉛フリー品である。
THIS PRODUCT IS LEAD FREE OF 55768-1425.



DETAIL B
SCALE: 10:1

501014-1425	501014-14**
MATERIAL NO.	MODEL NO.

RELEASED EC NO: J2005-0233 DRAWN: MNABE CHKD: KTOJO APPR: NUKITA 2004/08/03 2004/08/03 2004/08/04	GENERAL TOLERANCES (UNLESS SPECIFIED)		DIMENSION STYLE MM ONLY		SCALE 5:1	DESIGN UNITS METRIC	THIRD ANGLE PROJECTION
	10 UNDER	±0.2	DRAWN BY MNABE1	DATE '04/07/20	TITLE 0.5 I/O CONN PLUG HS'G ASSY 14CKT -LEAD FREE-		
	10 OVER 30 UNDER	±0.25	CHECKED BY KTOJO	DATE '04/07/20			
	30 OVER	±0.3	APPROVED BY NUKITA	DATE '04/07/20	MOLEX INCORPORATED		
ANGULAR	±3 °	MATERIAL NO. SEE CHART		DOCUMENT NO. SD-501014-007	SHEET NO. 1 OF 2		
DRAFT WHERE APPLICABLE MUST REMAIN WITHIN DIMENSIONS		THIS DRAWING CONTAINS INFORMATION THAT IS PROPRIETARY TO MOLEX INCORPORATED AND SHOULD NOT BE USED WITHOUT WRITTEN PERMISSION					

10 9 8 7 6 5 4 3 2 1

F

E

D

C

B

A

F

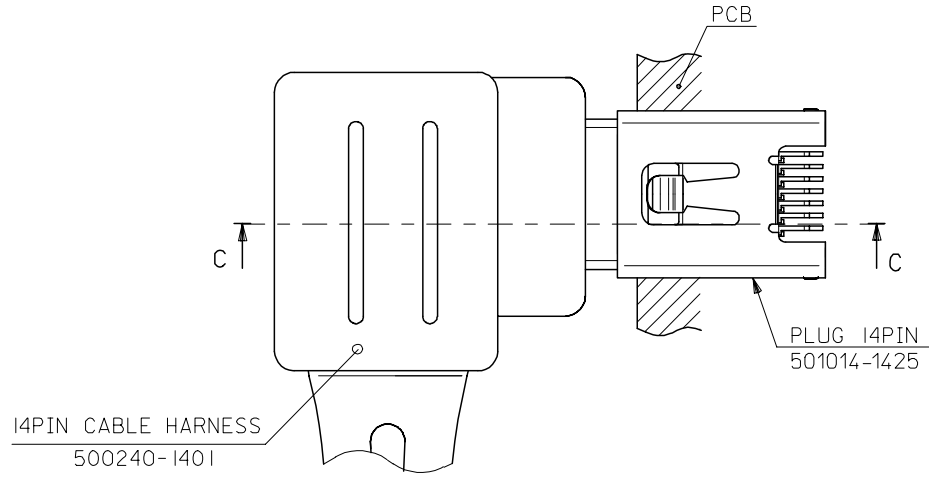
E

D

C

B

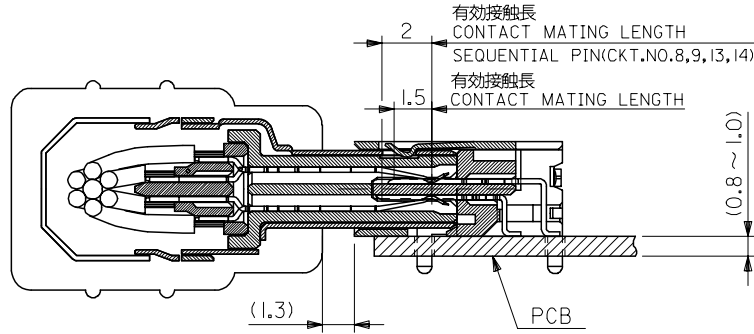
A



14PIN CABLE HARNESS
500240-1401

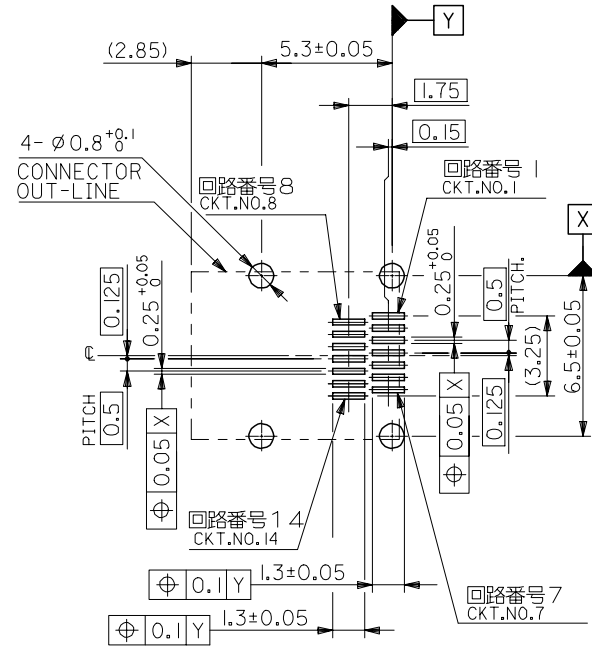
PCB
PLUG 14PIN
501014-1425

嵌合図
MATED CONNECTORS



SECTION C-C

有効接触長
CONTACT MATING LENGTH
SEQUENTIAL PINCKT.NO.8,9,13,14
有効接触長
CONTACT MATING LENGTH



基板穴推奨寸法 (部品実装側)
RECOMMENDED P.C.B LAYOUT (MOUNTING SIDE)

RELEASED EC NO: J2005-0233 DRAWN: MNABE1 2004/08/03 CHKD: KTOJO 2004/08/03 APPR: NUKITA 2004/08/04 REV: 0	GENERAL TOLERANCES (UNLESS SPECIFIED)		DIMENSION STYLE MM ONLY		SCALE 5:1	DESIGN UNITS METRIC	THIRD ANGLE PROJECTION		
	10 UNDER	±0.2	DRAWN BY MNABE1		DATE '04/07/20	TITLE 0.5 I/O CONN PLUG HS'G ASSY 14CKT -LEAD FREE-			
	10 OVER 30 UNDER	±0.25	CHECKED BY KTOJO		DATE '04/07/20				
	30 OVER	±0.3	APPROVED BY NUKITA		DATE '04/07/20	MOLEX INCORPORATED			
	ANGULAR	±3 °	MATERIAL NO.		DOCUMENT NO. SD-501014-007				
DRAFT WHERE APPLICABLE MUST REMAIN WITHIN DIMENSIONS			SIZE A3		THIS DRAWING CONTAINS INFORMATION THAT IS PROPRIETARY TO MOLEX INCORPORATED AND SHOULD NOT BE USED WITHOUT WRITTEN PERMISSION				

9

8

7

6

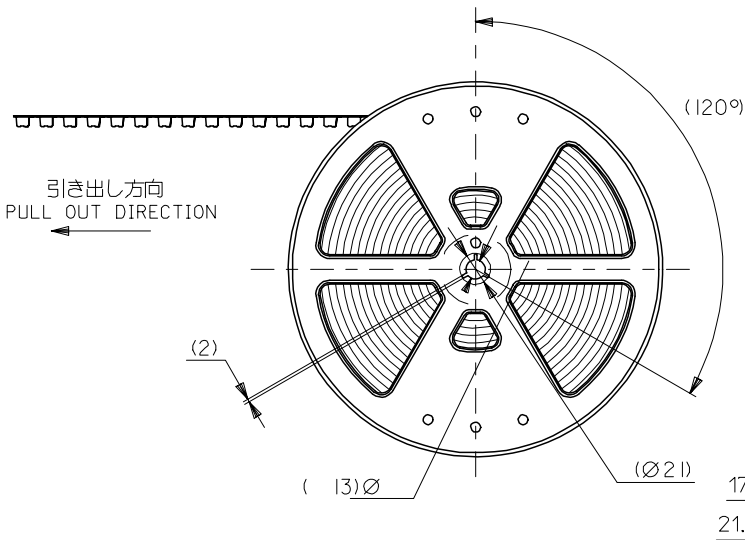
5

4

3

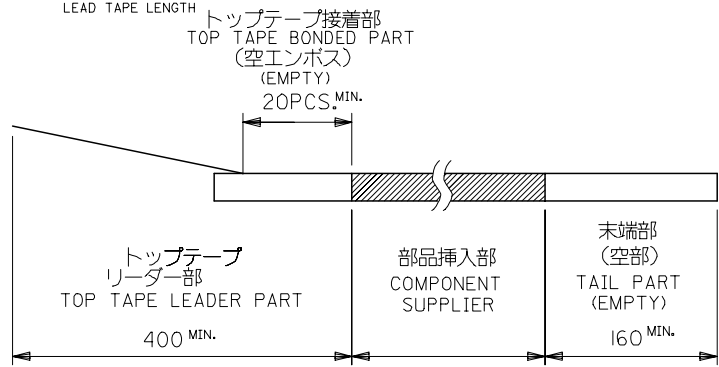
2

10 9 8 7 6 5 4 3 2 1

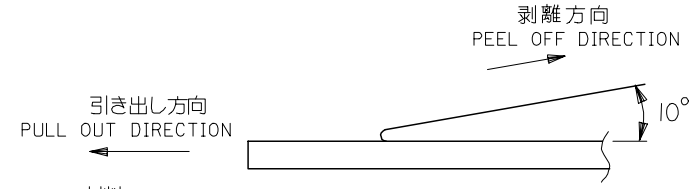


注記
NOTES

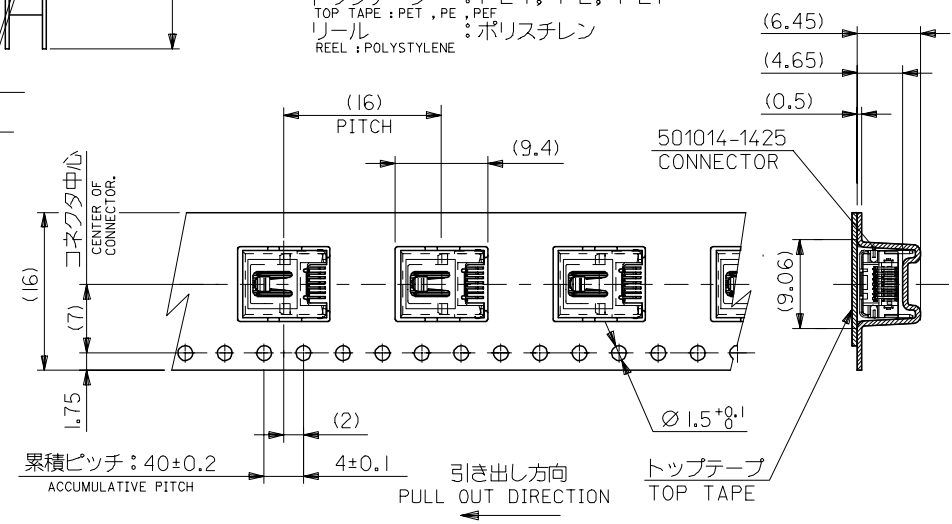
- 製品番号 501014-1425 の詳細寸法については、SD-501014-007 を参照下さい。
IN THE PACKAGE, PART NO. 501014-1425 RE DETAILED DIMENSIONS, SEE SD-501014-007.
- 梱包数量: 900個/リール
NUMBER OF CONNECTORS: 900 PCS/REEL
- リードテープ長さ
LEAD TAPE LENGTH



4. トップテープの剥離強度: (剥離方向は下図参照)
PEELING OFF FORCE OF TOP TAPE (PEELING DIRECTION AS SHOWN IN FOLLOWING FIG.)
0.1~1.3N (10~130gf)
尚、本規格値は、出荷時に適用。
(但し、輸送時に剥離が発生しない事。)
THIS REQUIREMENT SHOULD BE APPLIED AT SHIPMENT
(PEEL OFF SHOULD NOT BE ALLOWED, DURING TRANSPORTATION)



5. 材料
MATERIAL
キャリアテープ: ポリプロピレン (PP)
CARRIER TAPE: POLYPROPYLENE (PP)
トップテープ: PET, PE, PEF
TOP TAPE: PET, PE, PEF
リール: ポリスチレン
REEL: POLYSTYLENE



6. 本製品は 55768-1494 の鉛フリー品である。
THIS PRODUCT IS LEAD FREE OF 55768-1494.

I4	501014-1425	501014-1474	501014-**7*
CKT.	CONNECTOR	MATERIAL NO.	MODEL NO.

RELEASED EC NO: J2005-0233 DRAWN: MNABEI CHKD: KTOJO APPR: NUKITA 2004/08/03 2004/08/03 2004/08/04 REV: 0	GENERAL TOLERANCES (UNLESS SPECIFIED)		DIMENSION STYLE MM ONLY		SCALE ---	DESIGN UNITS METRIC	THIRD ANGLE PROJECTION
	10 UNDER	±0.2	DRAWN BY MNABEI	DATE '04/07/20	TITLE EMBOSSD TAPE PACKAGE FOR 501014 -LEAD FREE-		
	10 OVER 30 UNDER	±0.25	CHECKED BY KTOJO	DATE '04/07/20			
	30 OVER	±0.3	APPROVED BY NUKITA	DATE '04/07/20	MOLEX INCORPORATED		
	ANGULAR	±3 °	MATERIAL NO.	DOCUMENT NO. SD-501014-008			
DRAFT WHERE APPLICABLE MUST REMAIN WITHIN DIMENSIONS		SIZE A3	THIS DRAWING CONTAINS INFORMATION THAT IS PROPRIETARY TO MOLEX INCORPORATED AND SHOULD NOT BE USED WITHOUT WRITTEN PERMISSION				