



**ANATECH ELECTRONICS INC**  
RF & Microwave Filters & Products

# 15.285 GHz Cavity Bandpass Filter

**Part Number: AB15285B677**



## Electrical specifications

**Center Frequency:** 15.285 GHz  
**Bandwidth:** 0.12 GHz  
**Input / Output Impedance:** 50 Ohms  
**Passband:** 15.225-15.345 GHz  
**Passband Insertion Loss:** <4 dB  
**Passband Ripple:** <0.2 dB  
**Passband Return Loss:** >14 dB  
**Rejection:** @ 0-15.36 GHz >50 dB  
**Rejection 2:** @ 15.44-20 GHz >50 dB  
**Power Handling:** 25 W

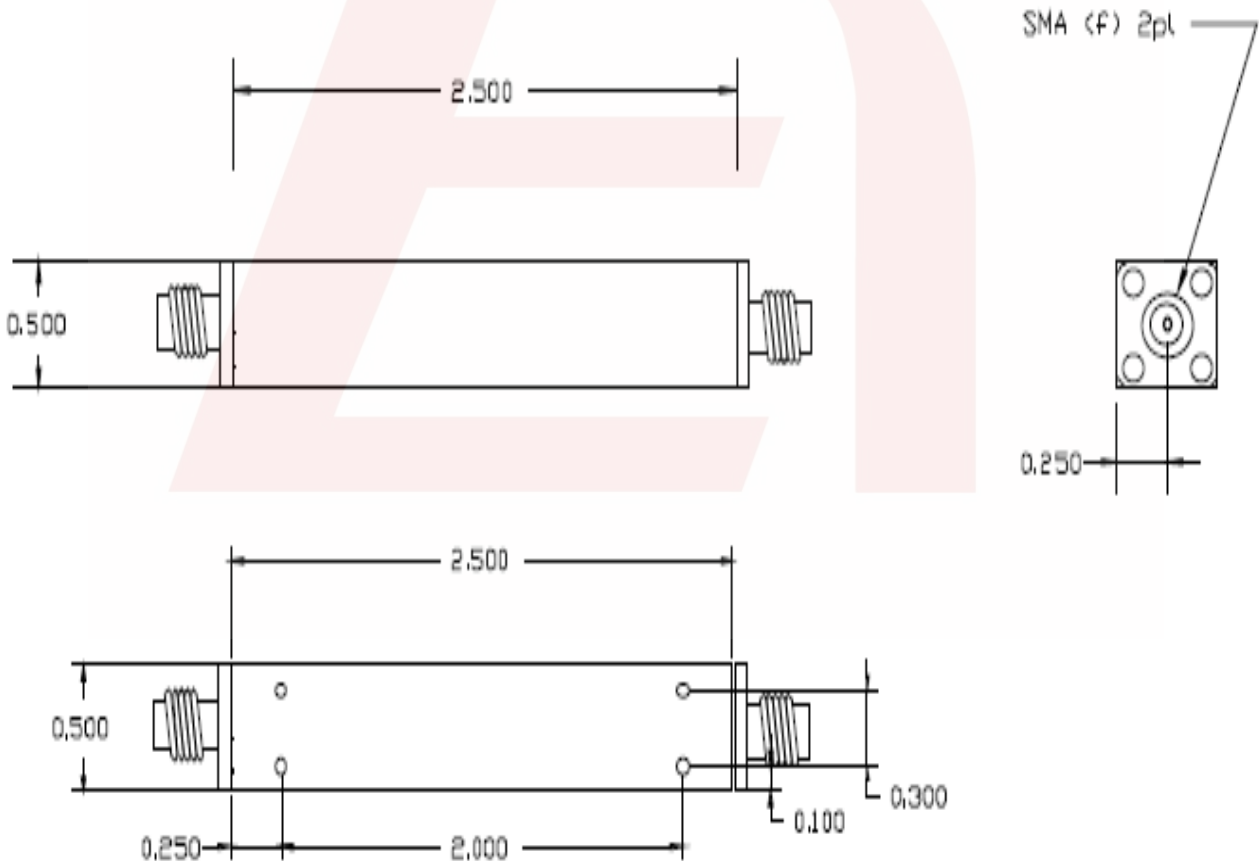
## Mechanical

**Mounting Method:** Panel Receptacle, 4 hole  
**Connector Type:** SMA (M-F)  
**Dimensions:** 2.5" x 0.5" x 0.35"

## Environmental

**Operating Temperature:** -45 to +85 deg.C  
**Storage Temperature:** -55 to +95 deg.C  
**Shock:** 20 G. 11ms  
**Vibration:** 20 G. 5 to 200 MHz

## Outline Drawing:



DS-B677-03152018-Rev0