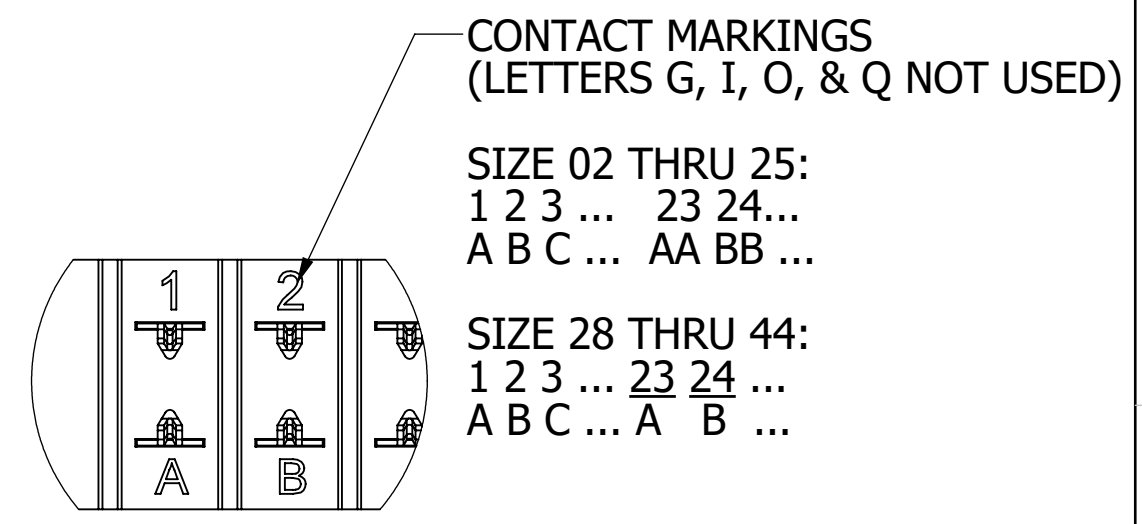
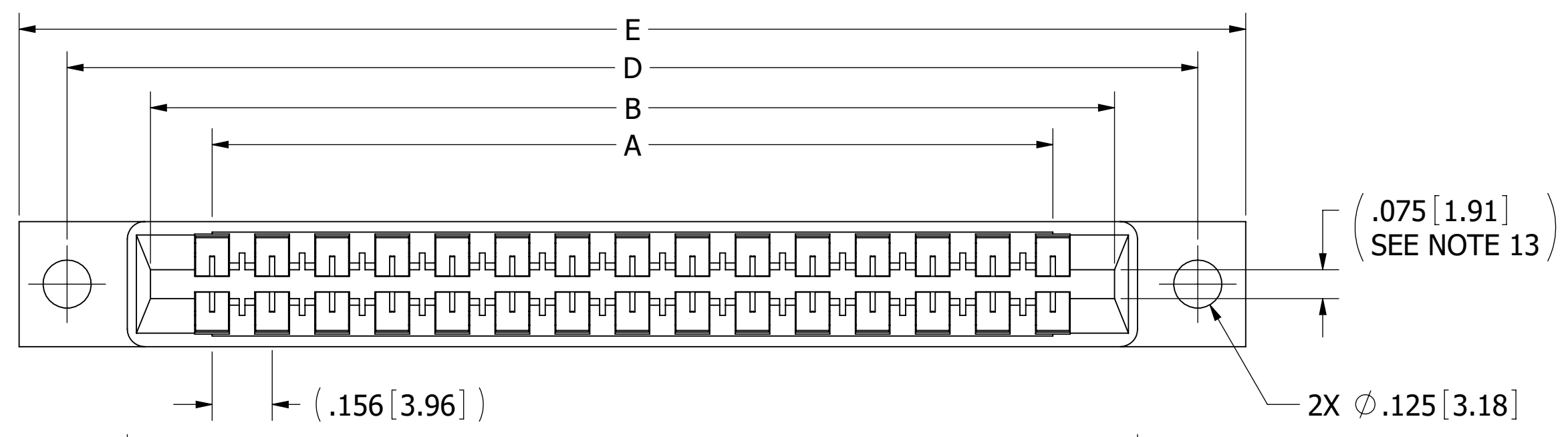
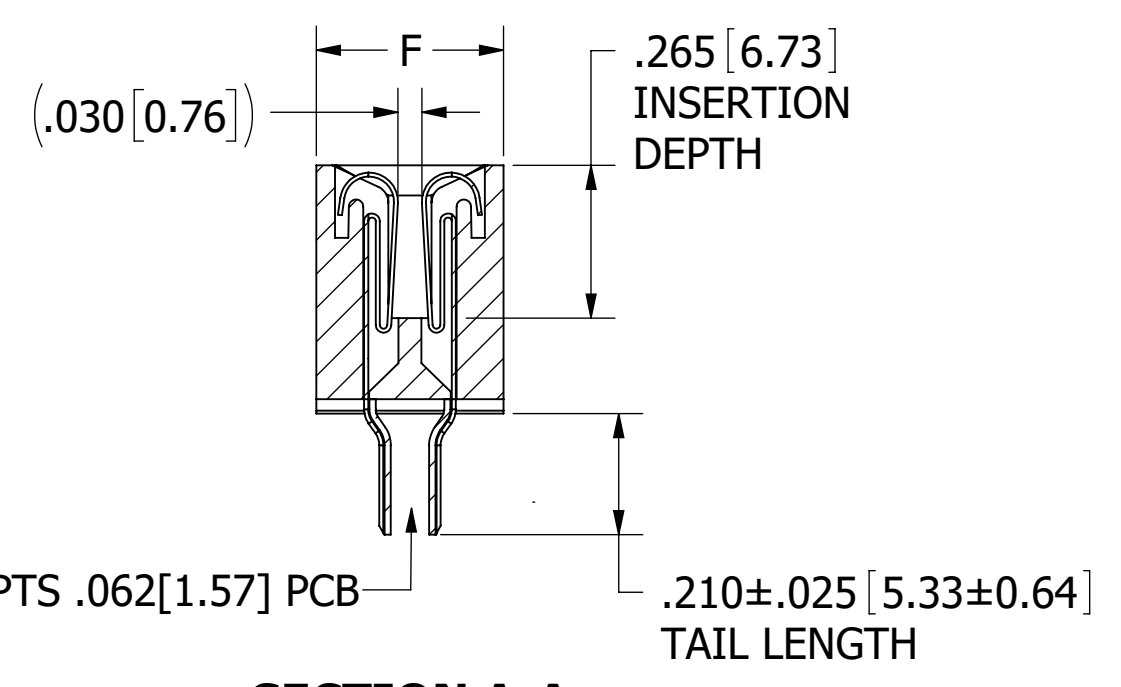
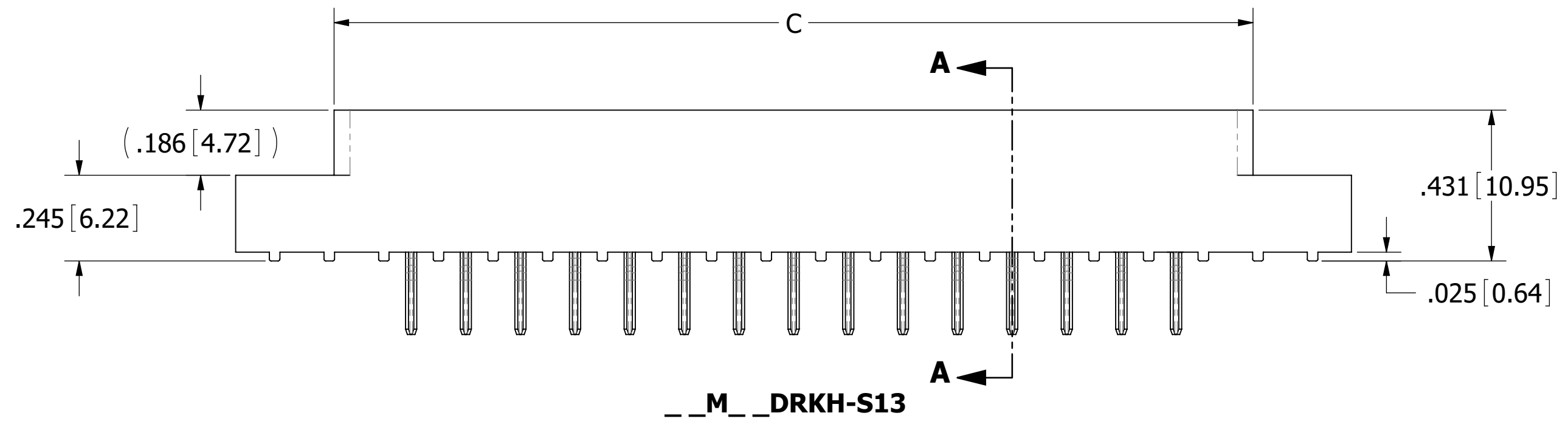


| REVISIONS | | | | |
|-----------|---------|---|------------|----|
| REV. | ECO. NO | DESCRIPTION | DATE | BY |
| D | 2909 | UPDATE DWG FORMAT, ASSY NOTES, DIMS, PART NUMBER CODING INFO, & TABLE | 2/4/2014 | NC |
| E | 4133 | UPDATE NOTE 8 (WAS 3A), REMOVE 'N' MOUNT ONLY IN DIM TABLE FOR POSI 2,3,4, ADD POSI 7, UPDATE PPS PROCESSING TEMP IN P/N CODING | 10/24/2019 | JH |



**CONTACT ID
SCALE 4:1**



SECTION A-A

--M--DRKH-S13

- NOTES:**
1. INSULATOR MATERIAL: SEE PART NUMBER CODING
 2. CONTACT MATERIAL: SEE PART NUMBER CODING
 3. PLATING: SEE PART NUMBER CODING
 4. OPERATING TEMPERATURE: SEE PART NUMBER CODING
 5. PROCESSING TEMP: SEE PART NUMBER CODING
 6. UL FLAMMABILITY RATING: 94V-0
 7. OPERATING VOLTAGE: 950 VAC
 8. CURRENT RATING: 5 AMP
 9. CONTACT RESISTANCE: 30 MILLI OHMS MAX
 10. INSULATION RESISTANCE: 5000 MEGA OHMS
 11. DURABILITY: 500 CYCLES MIN
 12. CONNECTOR IDENTIFICATION: THE PART SHALL BE MARKED WITH A PART NUMBER AND LOT CODE
 13. BOARD THICKNESS ACCOMMODATED: .062 ± .008 [1.57 ± 0.20]
 14. INSERTION FORCE: 16 OZ MAX PER CONTACT PAIR WHEN USING A .062 [1.57] TEST BLADE
INTERNAL INSPECTION TO BE PER SULLIN'S WORK INSTRUCTION WI-8.6-03
 15. WITHDRAWAL FORCE: 1 OZ MIN PER CONTACT PAIR USING .062 [1.57] TEST BLADE
 16. MODIFICATION: CARD EXTENDER BEND FOR .062 [1.57] PCB



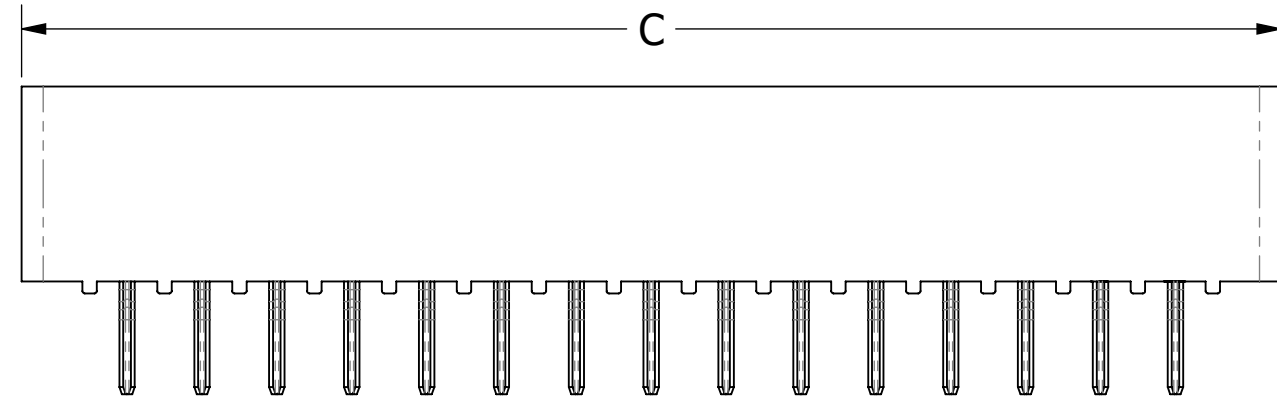
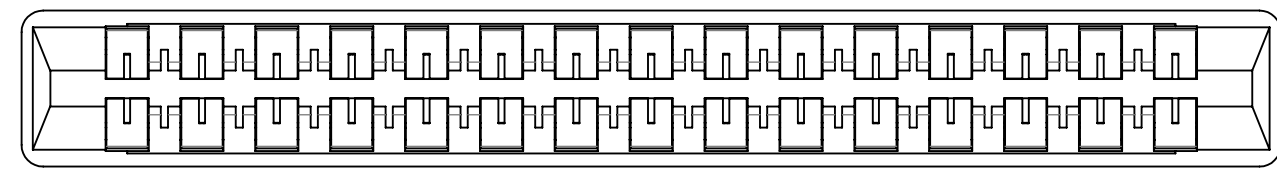
CUSTOMER COPY

| | | | | | | |
|---|--|------------|--------------|---------------|---|--|
| UNLESS OTHERWISE SPECIFIED: DIMENSIONS ARE IN INCHES [MM] | | DRAWN | DATE | NAME | | |
| | | | 2/1/2007 | MV | | |
| TOLERANCES: | | | | | <small>THE INFORMATION HEREIN CONTAINS PROPRIETARY INFORMATION OF SULLINS ELECTRONICS AND IS NOT TO BE REPRODUCED, USED OR DISCLOSED TO OTHERS FOR ANY PURPOSE EXCEPT AS SPECIFICALLY AUTHORIZED IN WRITING BY AN OFFICER OF SULLINS ELECTRONICS.</small> | |
| ANGULAR: ± 1° | | | | | TITLE EDGECARD, .156 CC, LP | |
| DECIMALS .XX = ± .02 [.5] .XXX = ± .005 [.13] .XXXX = ± .0005 [.013] | | | | | PART NUMBER --M--DRK--S13 | |
| | | SIZE | CAGE CODE | DWG. NO. | REV | |
| | | C | 54453 | C10888 | E | |
| | | SCALE: 3:1 | SHEET 1 OF 3 | | | |

8 7 6 5 4 3 2 1

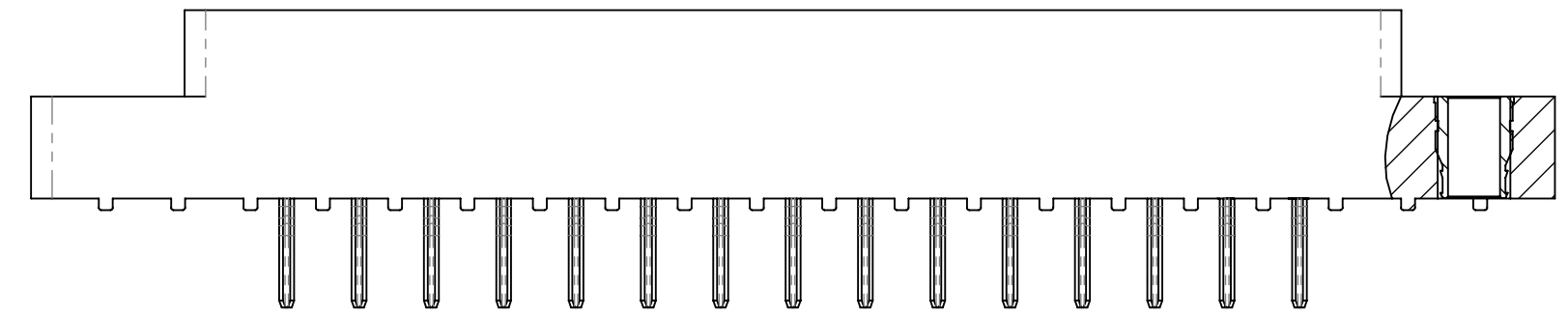
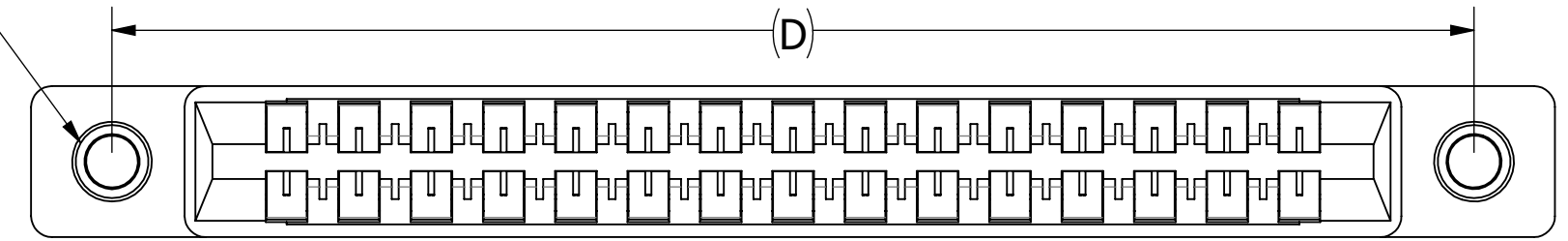
F
E
D
C
B
A

F
E
D
C
B
A

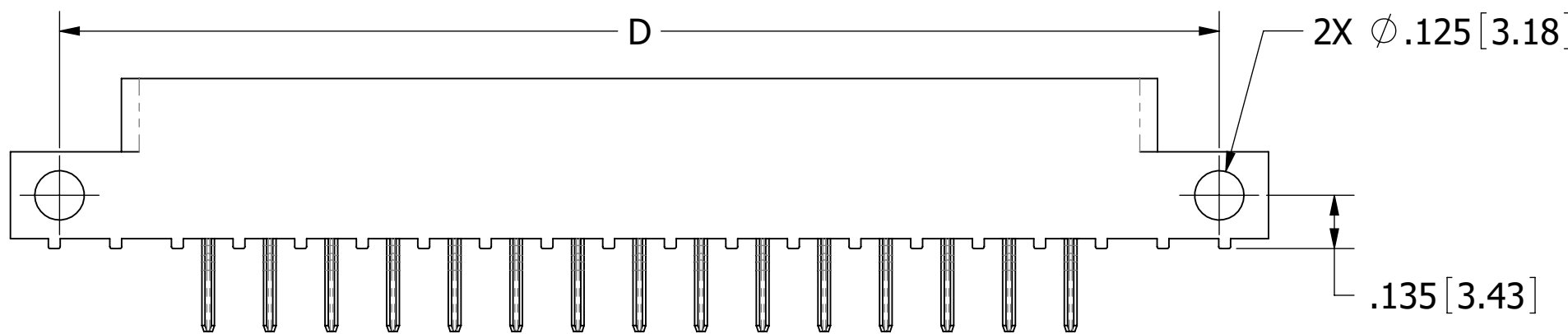
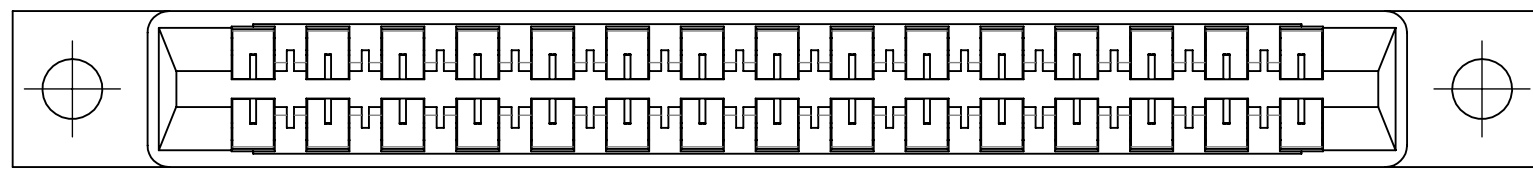


__M__DRKN-S13

2X #4-40
THREADED
INSERT

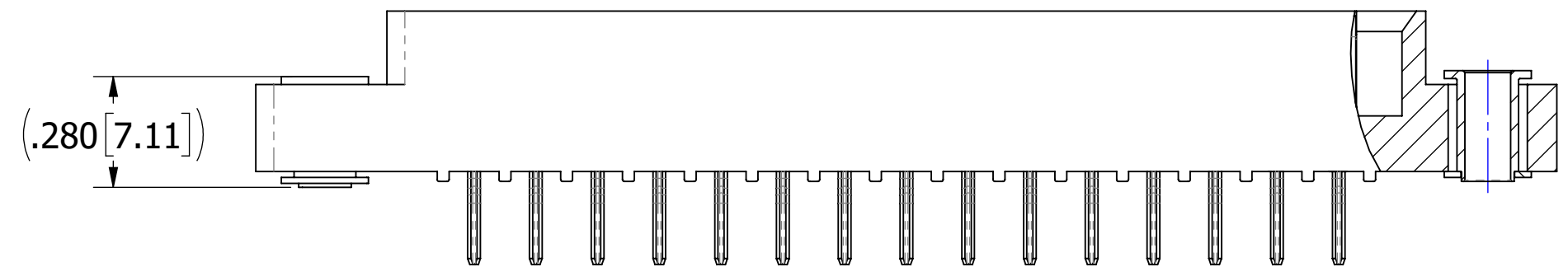
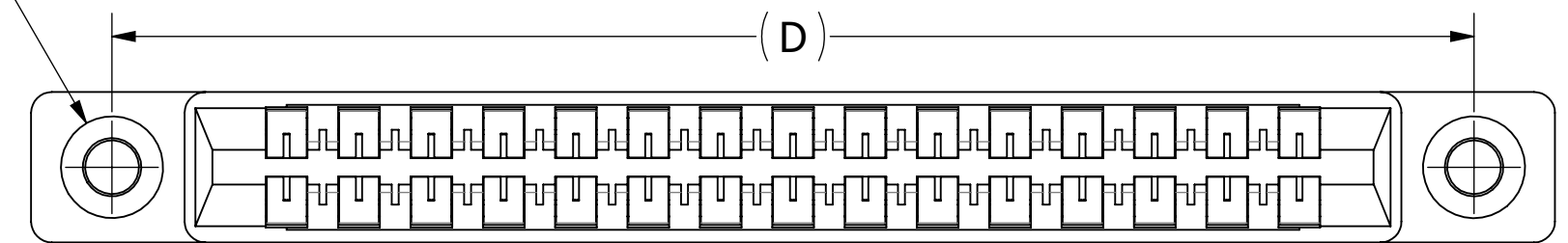


__M__DRKI-S13



__M__DRKS-S13

2X FLOATING BOBBIN
Ø.116 [2.95] CLEARANCE
FOR # 4 SCREW



__M__DRKF-S13

CUSTOMER COPY

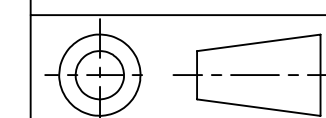


UNLESS OTHERWISE SPECIFIED:
DIMENSIONS ARE IN INCHES [MM]

TOLERANCES:
ANGULAR: ± 1°
DECIMALS
.XX = ± .02 [.5]
.XXX = ± .005 [.13]
.XXXX = ± .0005 [.013]

DRAWN DATE NAME
2/1/2007 MV

THE INFORMATION HEREIN CONTAINS
PROPRIETARY INFORMATION OF
SULLINS ELECTRONICS AND IS NOT
TO BE REPRODUCED, USED OR
DISCLOSED TO OTHERS FOR ANY
PURPOSE EXCEPT AS SPECIFICALLY
AUTHORIZED IN WRITING BY AN
OFFICER OF SULLINS ELECTRONICS.



TITLE
EDGE CARD, .156 CC, LP

PART NUMBER
__M__DRK_-S13

| | | | |
|------------------|---------------------------|---------------------------|-----------------|
| SIZE C | CAGE CODE 54453 | DWG. NO. C10888 | REV E |
|------------------|---------------------------|---------------------------|-----------------|

SCALE: 3:1 SHEET 2 OF 3

| PART NUMBER | NO. OF POS. | A ± .008[0.20] | | B ± .008[0.20] | | C ± .015[0.38] | | D ± .010[0.25] | | E ± .020[0.51] | | E ± .020[0.51] | | F +.005/- .015[+0.13/-0.38] | |
|-------------|-------------|----------------|--------|----------------|--------|----------------|--------|----------------|--------|----------------|--------|----------------|--------|-----------------------------|-------|
| | | IN | MM | IN | MM | IN | MM | IN | MM | IN | MM | IN | MM | IN | MM |
| | | M02DRK -S13 | 2 | 0.156 | 3.96 | 0.476 | 12.09 | 0.596 | 15.14 | 0.909 | 23.09 | 1.158 | 29.41 | 1.258 | 31.95 |
| M03DRK -S13 | 3 | 0.312 | 7.92 | 0.632 | 16.05 | 0.752 | 19.10 | 1.065 | 27.05 | 1.314 | 33.38 | 1.414 | 35.92 | | |
| M04DRK -S13 | 4 | 0.468 | 11.89 | 0.788 | 20.02 | 0.908 | 23.06 | 1.221 | 31.01 | 1.470 | 37.34 | 1.570 | 39.88 | | |
| M06DRK -S13 | 6 | 0.780 | 19.81 | 1.100 | 27.94 | 1.220 | 30.99 | 1.533 | 38.94 | 1.782 | 45.26 | 1.882 | 47.80 | | |
| M07DRK -S13 | 7 | 0.936 | 23.77 | 1.256 | 31.90 | 1.376 | 34.95 | 1.689 | 42.90 | 1.938 | 49.23 | 2.038 | 51.77 | | |
| M08DRK -S13 | 8 | 1.092 | 27.74 | 1.412 | 35.86 | 1.532 | 38.91 | 1.845 | 46.86 | 2.094 | 53.19 | 2.194 | 55.73 | | |
| M10DRK -S13 | 10 | 1.404 | 35.66 | 1.724 | 43.79 | 1.844 | 46.84 | 2.157 | 54.79 | 2.406 | 61.11 | 2.506 | 63.65 | | |
| M11DRK -S13 | 11 | 1.560 | 39.62 | 1.880 | 47.75 | 2.000 | 50.80 | 2.313 | 58.75 | 2.562 | 65.07 | 2.662 | 67.61 | | |
| M12DRK -S13 | 12 | 1.716 | 43.59 | 2.036 | 51.71 | 2.156 | 54.76 | 2.469 | 62.71 | 2.718 | 69.04 | 2.818 | 71.58 | | |
| M15DRK -S13 | 15 | 2.184 | 55.47 | 2.504 | 63.60 | 2.624 | 66.65 | 2.937 | 74.60 | 3.186 | 80.92 | 3.286 | 83.46 | | |
| M18DRK -S13 | 18 | 2.652 | 67.36 | 2.972 | 75.49 | 3.092 | 78.54 | 3.405 | 86.49 | 3.654 | 92.81 | 3.754 | 95.35 | | |
| M22DRK -S13 | 22 | 3.276 | 83.21 | 3.596 | 91.34 | 3.716 | 94.39 | 4.029 | 102.34 | 4.278 | 108.66 | 4.378 | 111.20 | | |
| M24DRK -S13 | 24 | 3.588 | 91.14 | 3.908 | 99.26 | 4.028 | 102.31 | 4.341 | 110.26 | 4.590 | 116.59 | 4.690 | 119.13 | | |
| M25DRK -S13 | 25 | 3.744 | 95.10 | 4.064 | 103.23 | 4.184 | 106.27 | 4.497 | 114.22 | 4.746 | 120.55 | 4.846 | 123.09 | | |
| M28DRK -S13 | 28 | 4.212 | 106.98 | 4.532 | 115.11 | 4.652 | 118.16 | 4.965 | 126.11 | 5.214 | 132.44 | 5.314 | 134.98 | | |
| M36DRK -S13 | 36 | 5.460 | 138.68 | 5.780 | 146.81 | 5.900 | 149.86 | 6.213 | 157.81 | 6.462 | 164.13 | 6.562 | 166.67 | | |
| M43DRK -S13 | 43 | 6.552 | 166.42 | 6.872 | 174.55 | 6.992 | 177.60 | 7.305 | 185.55 | 7.554 | 191.87 | 7.654 | 194.41 | | |
| M44DRK -S13 | 44 | 6.708 | 170.38 | 7.028 | 178.51 | 7.148 | 181.56 | 7.461 | 189.51 | 7.710 | 195.83 | 7.810 | 198.37 | | |

FOR CONNECTORS WITH THREADED INSERTS OR FLOATS

PART NUMBER CODING

MATERIAL (INSULATOR/CONTACT)

- E = BLUE PBT/PHOSPHOR BRONZE**
OPERATING TEMP: -65°C TO +125°C
PROCESSING TEMP: WAVE/MANUAL SOLDER
- R = GREEN PPS/PHOSPHOR BRONZE**
OPERATING TEMP: -65°C TO +125°C
PROCESSING TEMP: 260°C MAX FOR 20 SECS
- G = BLACK PA9T/PHOSPHOR BRONZE**
OPERATING TEMP: -65°C TO +125°C
PROCESSING TEMP: 260°C MAX FOR 20 SECS
- H = BLUE PBT/BERYLLIUM COPPER**
OPERATING TEMP: -65°C TO +125°C
PROCESSING TEMP: WAVE/MANUAL SOLDER
- A = GREEN PPS/BERYLLIUM COPPER**
OPERATING TEMP: -65°C TO +150°C
PROCESSING TEMP: 260°C MAX FOR 20 SECS
- J = BLACK PA9T/BERYLLIUM COPPER**
OPERATING TEMP: -65°C TO +150°C
PROCESSING TEMP: 260°C MAX FOR 20 SECS
- F = GREEN PPS/SPINODAL (CONSULT FACTORY)**
OPERATING TEMP: -65°C TO +200°C
PROCESSING TEMP: 260°C MAX FOR 20 SECS
(CONSULT FACTORY FOR SPECIAL SOLDERING GUIDELINES)
AVAILABLE IN OVERALL GOLD ONLY (S OR M PLATING CODE)
- C = GREEN PPS/BERYLLIUM NICKEL (CONSULT FACTORY)**
OPERATING TEMP: -65°C TO +200°C
PROCESSING TEMP: 260°C MAX FOR 20 SECS
AVAILABLE IN OVERALL GOLD ONLY (M PLATING CODE)
- W = TAN PEEK/BERYLLIUM NICKEL (CONSULT FACTORY)**
OPERATING TEMP: -65°C TO +250°C
PROCESSING TEMP: 260°C MAX FOR 20 SECS
AVAILABLE IN OVERALL GOLD ONLY (M PLATING CODE)

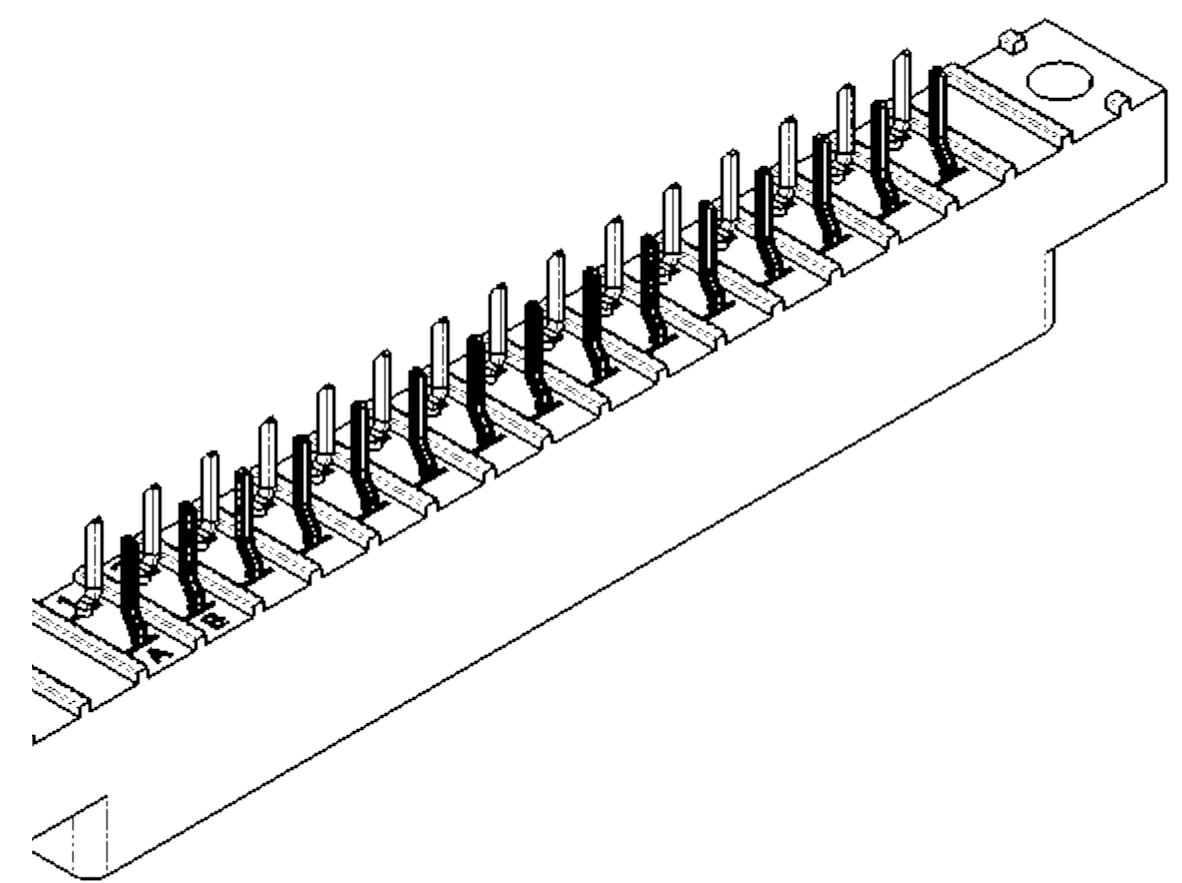
NUMBER OF POSITIONS (CONTACTS PER ROW)

PLATING
ALL PLATINGS ARE LEAD FREE AND HAVE .000050" NICKEL UNDERPLATE

| | |
|--|--------------------------|
| CONTACT SURFACE | TERMINATION |
| B = .000010" GOLD | .000100" PURE TIN, MATTE |
| C = .000030" GOLD | .000100" PURE TIN, MATTE |
| G = .000010" GOLD | .000005" GOLD |
| Y = .000030" GOLD | .000005" GOLD |
| **E = .000100" PURE TIN, MATTE, OVERALL | |
| S = .000010" GOLD OVERALL | |
| M = .000030" GOLD | .000010" GOLD OVERALL |
| ** OVERALL TIN ONLY AVAILABLE ON MATERIAL CODES E, R AND G | |

MOUNTING STYLE

- H = .125" DIA. CLEARANCE HOLES
- N = NO MOUNTING EARS
- S = .125" DIA. SIDE MOUNTING
- I = #4-40 THREADED INSERT
- F = FLOATING BOBBIN



CUSTOMER COPY

| | | | | |
|---|---|--------------|------|------------------------|
| UNLESS OTHERWISE SPECIFIED: DIMENSIONS ARE IN INCHES [MM] | DRAWN | DATE | NAME | |
| | | 2/1/2007 | MV | |
| TOLERANCES: ANGULAR: ± 1° DECIMALS .XX=± .02 [.5] .XXX=± .005 [.13] .XXXX=± .0005 [.013] | <small>THE INFORMATION HEREIN CONTAINS PROPRIETARY INFORMATION OF SULLINS ELECTRONICS AND IS NOT TO BE REPRODUCED, USED OR DISCLOSED TO OTHERS FOR ANY PURPOSE EXCEPT AS SPECIFICALLY AUTHORIZED IN WRITING BY AN OFFICER OF SULLINS ELECTRONICS.</small> | | | TITLE |
| | | | | EDGE CARD, .156 CC, LP |
| PART NUMBER | | | | REV |
| _ M _ DRK _ S13 | | | | E |
| SIZE | CAGE CODE | DWG. NO. | REV | |
| C | 54453 | C10888 | E | |
| SCALE: 3:1 | | SHEET 3 OF 3 | | |

