



PART NUMBER FOR CAGE:
CNU109A-00XX

Series Name
0 = No Heat Sink
1 = 13.5mm H HS (PCI)
2 = 15.8mm H HS (SAN)
3 = 22.8mm H HS (NET)
1 = Standard Cage
2 = Cage with EMI Fingers

SFP MSA COMPLIANT

MATERIALS AND FINISH:

- Cage: Copper Alloy
- Heat Sink Clip: Stainless Steel
- EMI Fingers: Stainless Steel

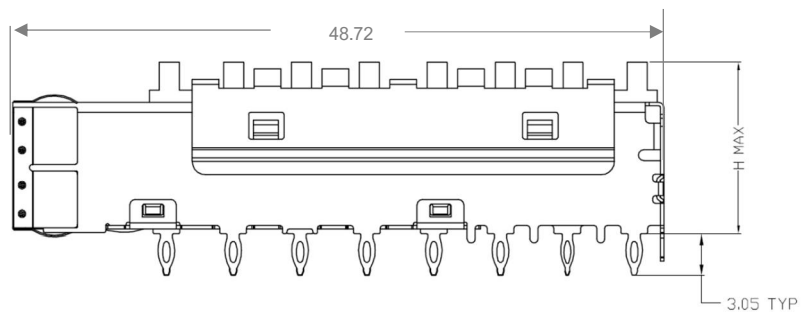
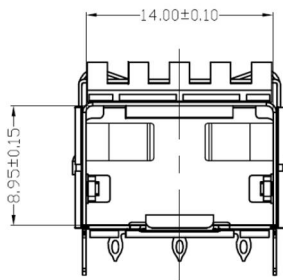
FEATURES:

- SFP Design Guideline Compliant
- Offers various heat sink height configurations
- RoHS and REACH Compliant

SPECIFICATIONS:

- Operating Temp.: - 20°C ~ +85°C
- Insertion Force: 40 N MAX
- Extraction Force: 11.5 N MAX
- Mating Cycle: 100 times

OUTLINE DIMENSIONS (MM, Example – 1x1 Cage, with Heat Sink):



Dim. H		
Part Number	Heat Sink Type	Height
CNU109A-0021	PCI	13.5
CNU109A-0022	SAN	15.8
CNU109A-0023	NET	22.8