



HMI5043L | Advanced HMI Series

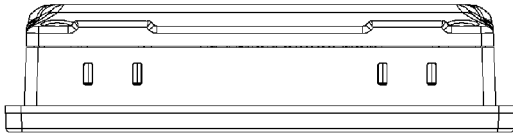
4.3" Light Grey Industrial HMI



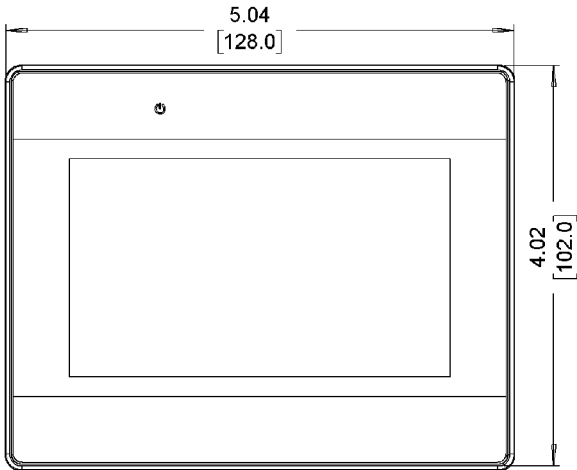
- Enhanced Graphics, Animation
- Enhanced Security
- Email Notification
- Recipe, Data Logging, Pie Charts
- Trend Graphic, Circular Trends
- Remote Access (Easy Access 2.0)



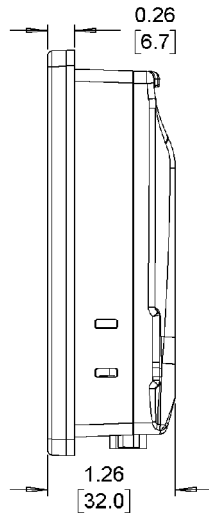
System	CPU	32-bit RISC Cortex-A8, 600 MHz
	Memory (RAM)	128 MB
	Memory (Flash)	128 MB
	RTC	Built-in
I/O Ports	Serial	1 x DE9P COM1: RS-232/RS-485 2 or 4 wire, COM3: RS-485 2 wire
	LAN	1 x 10/100 Base-T RJ-45
	CANbus	N/A
	USB Host	1 x USB 2.0
	USB Client	N/A
	Audio	N/A
	Video	N/A
	Wi-Fi	N/A
	HDMI®	N/A
	SD Card Slot	N/A
Display	Display Type	4.3" TFT LCD
	Size (W x H)	3.70 x 2.10 inches [95 x 54 mm]
	Resolution (pixels)	480 x 272
	Max. Colors	16.7 M
	Luminance (cd/m²)	400
	Viewing Angle (H°/V°)	140/120
	Contrast Ratio	500:1
Backlight Lifetime (hours)	30,000+	
Touch Screen	Type	4-wire resistive touch
	Active Area Accuracy	Length (X) ± 2%, width (Y) ± 2%
Electrical	Input Voltage	24 ± 20% VDC
	Input Current	400 mA @ 24 VDC
	Input Power	9.6 W
	Power Isolation	Built-in
	Isolation Resistance	Exceed 50 MΩ at 500 VDC
Mechanical	Enclosure	Plastic, light grey
	PCB Coating	Yes
	Dimensions (W x H x D)	5.04 x 4.02 x 1.26 inches [128 x 102 x 32 mm]
	Net Weight	Approx. 0.55 lbs. [0.25 kg]
Environmental	Mounting	Panel mounting
	Operating Temperature	32° ~ 122° F (0° ~ 50° C)
	Storage Temperature	-4° ~ 140° F (-20° ~ 60° C)
	Relative Humidity	10% ~ 90% (non-condensing)
	Vibration Endurance	10 to 25 Hz (X, Y, Z direction, 2 G, 30 minutes)
	Ratings	UL Type 4X (indoor use only), NEMA 4, IP65 compliant front panel
Certifications	cULus, CE, RoHS	
Software	EasyBuilder Pro (v6.00.01.174 or later), EasyAccess 2.0 (optional), IIoT Ready, MQTT, Sparkplug, VNC	
Notes	Specifications subject to change without notice	



Top View

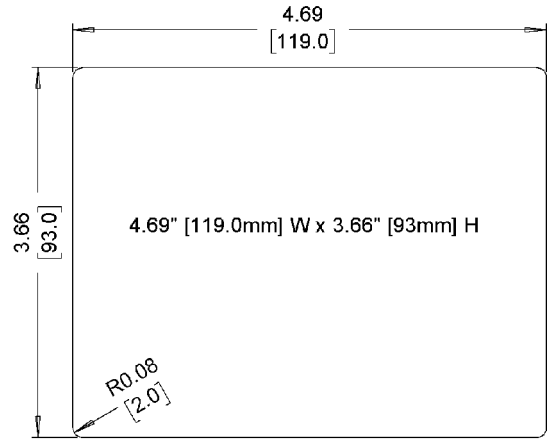


Front View

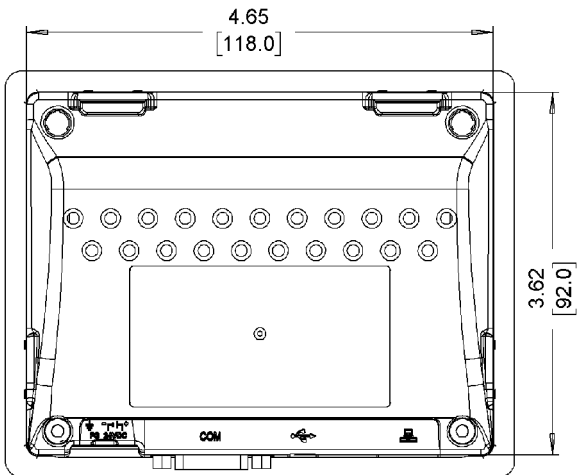


Side View

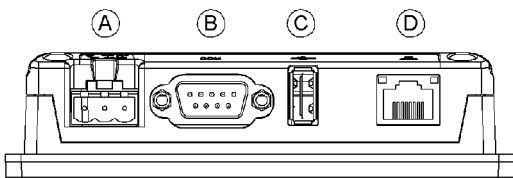
Dimensions are in inches [mm]



Cutout Dimensions



Rear View



Bottom View

- A Power Connector
- B COM Port DE9P
- C USB 2.0 Host Port
- D Ethernet Port