

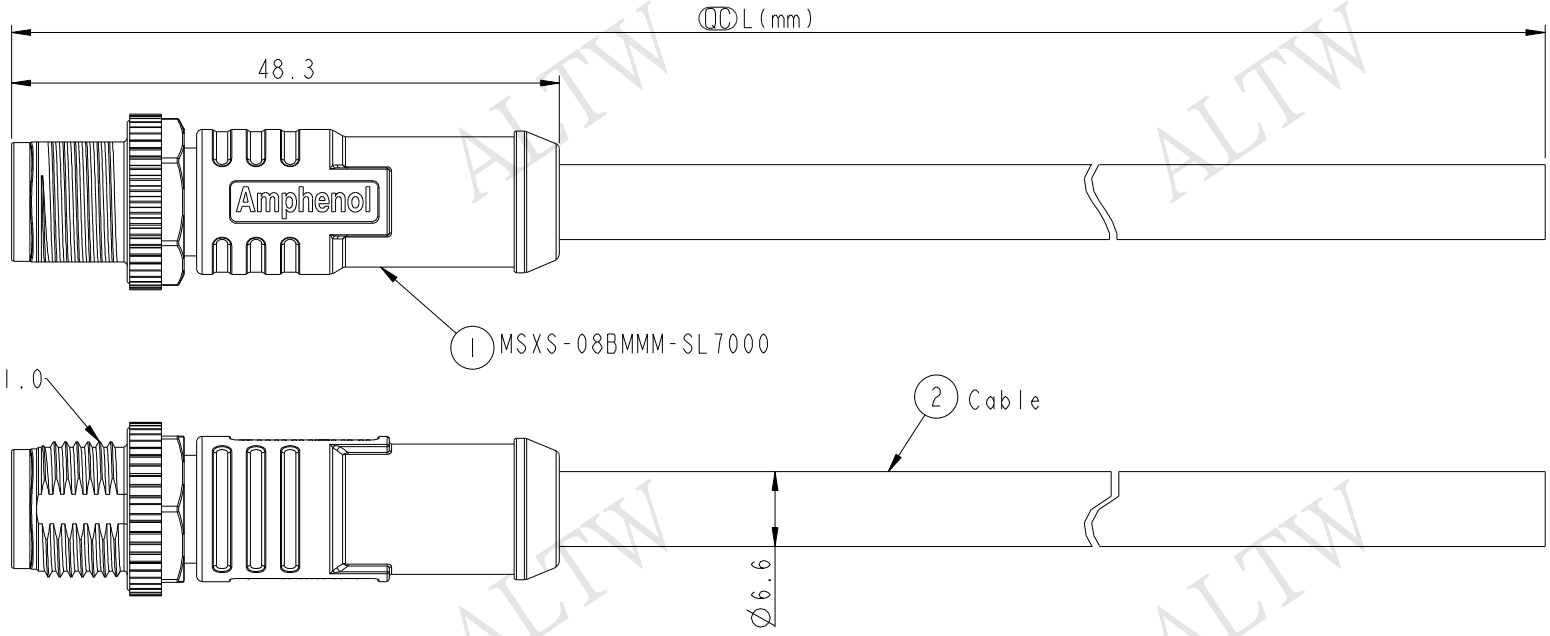
REV.	ECN NO.	DATE	SIGN	DESCRIPTION
A	Initial Release	2016-12-21	Spring Liu	Change Rev.01 To Rev.A
B	CI80009	2018-08-10	Fisher Wang	update drawing

ALTW  
CONFIDENTIAL  
2018-08-10  
R&D DEPT.

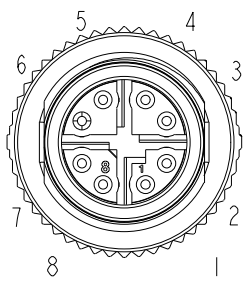
ALTW  
DCC. DEPT.  
CONFIDENTIAL  
2018.08.15  
ISSUED



Conn.



- Note:
- \*  $\varnothing$  Important Dimensions To Check.
  - \* Waterproof Rate: IP67
  - \* Connector: Nylon+GF, Black
  - \* Male Pin: Copper Alloy, Gold Plated
  - \* Screw Nut: Zinc Alloy, Nickel Plated
  - \* Shield: Copper Alloy
  - \* Outer Mold: PU, Black
  - \* Cable: Cat6A, 26AWG\*4P+B, LSZH, UV resistant  
OD 6.6mm, Green Jacket.
  - \* Rated Voltage: 50 V AC, 60 V DC
  - \* Rated Current: 0.5A
  - \* Cable length Tolerance: 01M:  $\pm 40$ mm  
02M~05M  $\pm 60$ mm  
06M~10M  $\pm 100$ mm  
11M~30M  $\pm 200$ mm  
31M~99M  $\pm 500$ mm



Pin Assignment  
Front View

Braid	Shield	
8	Blue	藍
7	White / Blue	白/藍
6	Brown	棕
5	White / Brown	白/棕
4	Green	綠
3	White / Green	白/綠
2	Orange	橙
1	White / Orange	白/橙
Conn.	Wire Color	Pin Out

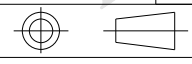
MSXS-08BMMM-SL7X XX

- XX : 01~99Meters
- 01 : 01Meter
- 02 : 02Meters
- 99 : 99Meters

Cable Length(L):01~99Meters

UNIT:mm

TOLERANCE	
.X	$\pm 0.25$
.XX	$\pm 0.1$
.XXX	$\pm 0.05$
ANGLES	$\pm 1^\circ$



TITLE M12 X-code 8Pin Male Shielded Cable Connector			
SCALE 3:2	SIZE A4	SHEET 1 OF 1	
REV. B	WC-REV. A.4	$\varnothing$ : Inspection item	

**Amphenol LTW**  
安費諾亮泰企業股份有限公司

ITEM NO	DRAWN BY Fisher Wang	DATE 2018-08-10
DWG NO MSXS-08BMMM-SL7XXX	CHECKED BY Victor Hung	DATE 2018-08-10
CUSTOMER ALTW	APPROVED BY Kevin Hu	DATE 2018-08-10

THIS DOCUMENT IS SUBJECT TO CHANGE WITHOUT NOTICE. IT IS CONFIDENTIAL AND A PROPERTY OF Amphenol LTW. DISCLOSURE TO THIRD PARTY HAS TO BE AUTHORIZED BY Amphenol LTW.