

4

3

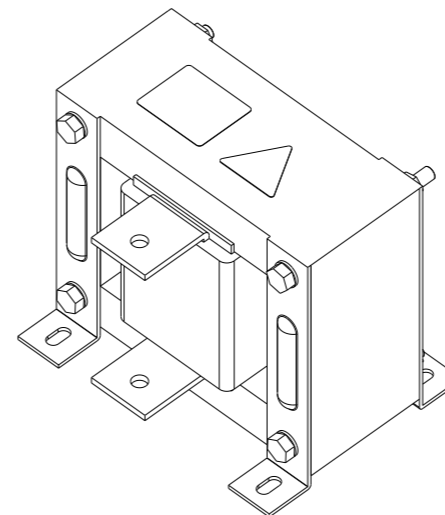
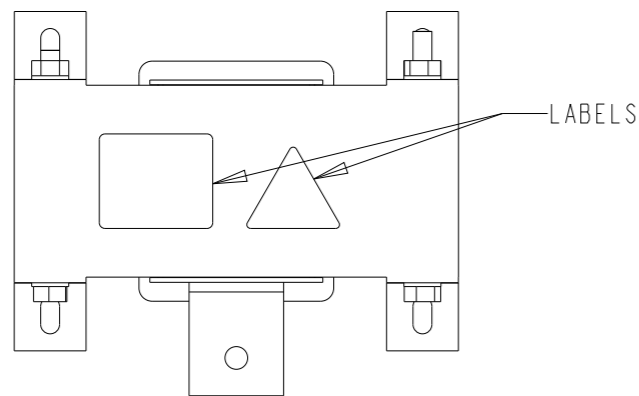
2

1

© 20 BY -

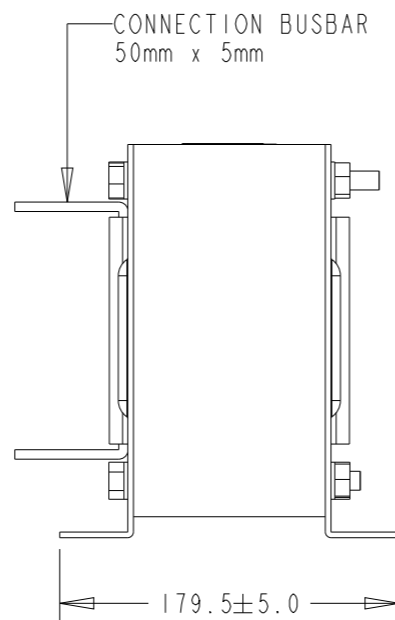
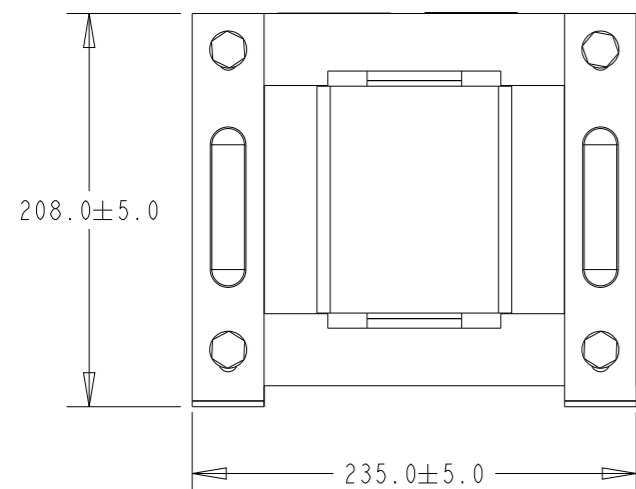
REVISIONS

P	LTR	DESCRIPTION	DATE	DWN	APVD
	A	RELEASED FOR PRODUCTION	10FEB2023	DM	CB
	AI	ADDING PRODUCT DATA	07MAR2023	DM	CB



NOMINAL OPERATING VOLTAGE (VAC)	230
RATED OPERATING VOLTAGE (VAC)	250
FREQUENCY (Hz)	50 / 60
RATED CURRENT (AMPS)	500
OP. TEMP. RANGE @ RATED CURRENT	-45°C to +45°C
RATED POWER @ 230VAC (kW)	103.50
RATED POWER @ 230VAC (HP)	138.74
IMPEDANCE @ 230VAC (%)	4
INDUCTANCE, NOMINAL (mH)	0.059
POWER OVERLOAD, 1 MINUTE EVERY HOUR	1.6
VOLTAGE WITHSTAND 1 MINUTE (kVAC)	2
POLLUTION DEGREE	PD2
COOLING	NATURAL
PROTECTION CLASS	IP00
INSULATION CLASS	N
STORAGE TEMPERATURE RANGE (°C)	-45°C to +100°C
CLIMATIC CATEGORY	45/100/21
DESIGN CORRESPONDING TO	EN61558-2-20, EN60076-6, UL61800-5-1

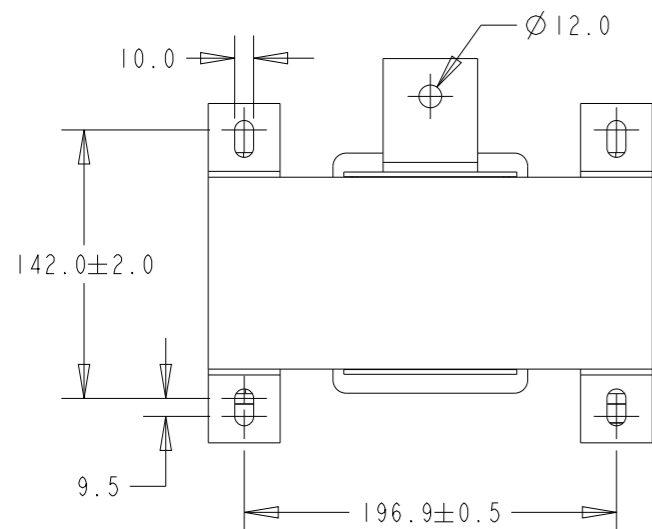
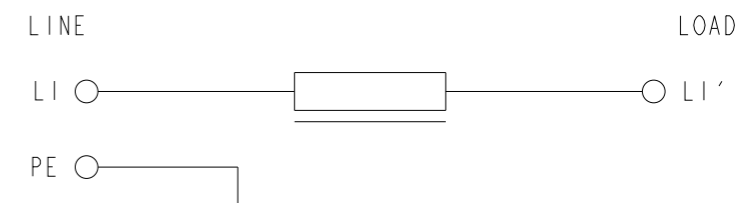
PRODUCT DESIGN NOTE
 DESIGN IN ACCORDANCE WITH UL 508



DE-RATING FORMULAE FOR OPERATION
 ABOVE 45°C AMBIENT CONDITIONS:

$$I = I_n \sqrt{\frac{100 - T_{a\ new}}{100 - 45}}$$

TYPICAL CIRCUIT DIAGRAM



RoHS COMPLIANT

THIS DRAWING IS A CONTROLLED DOCUMENT.		DWN	C. BOLLE	05OCT2022	 TE Connectivity
DIMENSIONS: mm		CHK	C. BOLLE	05OCT2022	
TOLERANCES UNLESS OTHERWISE SPECIFIED:		APVD	L. RAJ	05OCT2022	
0 PLC ±- 1 PLC ±0.1 2 PLC ±0.01 3 PLC ±0.001 4 PLC ±0.0001 ANGLES ±-		PRODUCT SPEC		NAME RPO-1-500 SINGLE LINE REACTOR	
MATERIAL		APPLICATION SPEC		SIZE	
FINISH		WEIGHT		CAGE CODE	DRAWING NO
-		-		A3 00779	©-2-2432408-1
-		-		RESTRICTED TO	
-		CUSTOMER DRAWING		SCALE	SHEET
-		-		1:4	1 OF 1
-		-		REV AI	