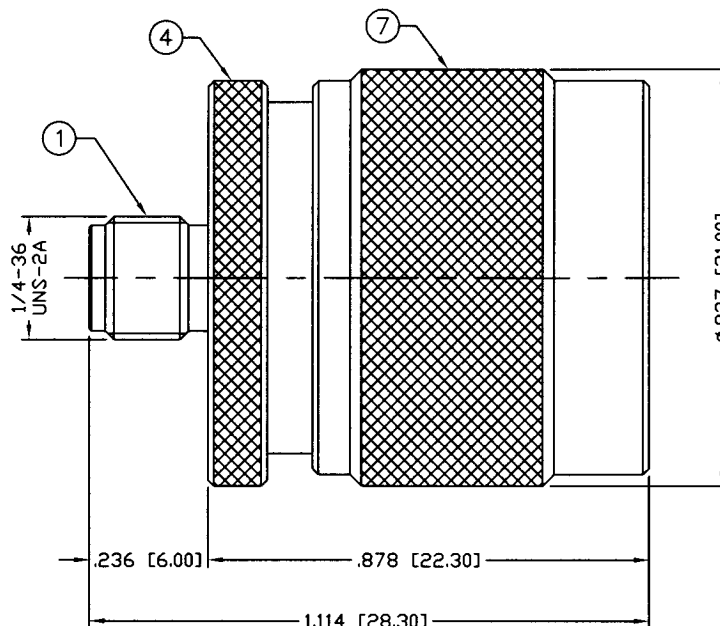


THIS DRAWING CONTAINS INFORMATION PROPRIETARY TO RF INDUSTRIES.  
 ANY UNAUTHORIZED USE OF THIS DRAWING IS EXPRESSLY PROHIBITED  
 WITHOUT WRITTEN PERMISSION FROM RF INDUSTRIES.  
 ANY VIOLATION IS PUNISHABLE UNDER U.S. COPYRIGHT LAWS.

ALL DIMENSIONS ARE REFERENCE ONLY

PART NO.		<b>RSA-3478</b>		
REV	DESCRIPTION	DWN	DATE	APPROVED
B	CHANGE PART # FROM RSA-2382 TO RSA-3478	WD	1/4/94	C. JONES
C	CREATE SECTION DRAWING	KMM	7/15/94	R. RICE
D	CHANGE CONTACT / DIELECTRIC / BODY	KMM	10/20/96	R. RICE
E	CHANGE DIMS THROUGHOUT / UPDATE FORMAT & SPECS	CZS	9/12/02	JDMc
F	ADDED NEW SPECIFICATIONS TO CONNECTOR	JDM	10/29/03	JDMc



SPECIFICATIONS:

IMPEDANCE: 50 Ohms  
 INTERFACE: Per MIL-STD-348  
 FREQUENCY RANGE: 0-11 GHz  
 VSWR: 1.15:1 Max to 6 GHz  
 INSERTION LOSS: -0.1 dB Max 0-4 GHz  
 WORKING VOLTAGE: 375 VRMS @ sea level  
 TEMPERATURE RANGE: -65°C TO 85°C  
 INSULATION RESISTANCE: 5k M Ohms min.  
 RF LEAKAGE: -90 dB Min. between 2 and 3 GHz  
 RF HIGH POTENTIAL: 1k VRMS @ 5~7.5 MHz  
 CONNECTOR DURABILITY: 500 Cycles Min.  
 CONNECTOR REPEATABILITY: IL < -0.1 dB

1	SMA BODY	1	BRASS	NICKEL, 100μ"
2	INSULATOR	1	PTFE	WHITE
3	CONTACT	1	PHOS BRONZE	GOLD, 3μ"
4	BODY	1	BRASS	NICKEL, 100μ"
5	RETAINING RING	1	SST	---
6	GASKET	1	SILICONE	RED
7	SHELL	1	BRASS	NICKEL, 100μ"
8				
9				

008974	
DRAWN	JDMc
CHECKED	JDMc 10/29/03
ORJ DRAWN	C. ZUNIGA
DATE	9/13/93

UNLESS OTHERWISE SPECIFIED:  
 1. REMOVE ALL BURRS  
 2. BREAK ALL CORNERS & EDGES .005 R. MAX.  
 3. CHAMFER 1ST & LAST THREADS 45°  
 4. SURFACE ROUGHNESS 63 FINISH MIL-STD-10  
 5. DIAMETERS ON COMMON CENTERS TO BE CONCENTRIC WITHIN .002 T.I.R.  
 6. ALL DIMENSIONS ARE AFTER PLATING.

DIMENSIONS ARE IN INCHES AND [MILLIMETERS]  
 UNLESS OTHERWISE NOTED TOLERANCES ARE:

DECIMALS	DIAMETER
.xxx±.003 [.08]	.xxx±.001 [.03]
.xx±.005 [.13]	.xx±.003 [.08]

**RF connectors**  
 DIVISION OF RF INDUSTRIES, LTD.

7610 MIRAMAR RD  
 SAN DIEGO, CA 92126  
 (858) 549-6340  
 (858) 549-6345 FAX

<b>SMA JACK TO N PLUG</b>			
ADAPTER			
SIZE	CABLE GROUP	DWG NO.	REV
A	N/A	RSA-3478	F
SCALE: NTS		CAD FILE OUTLINE	SHEET 1 OF 1