



(0.80 mm) .0315" PITCH • DISCRETE WIRE CABLE ASSEMBLY/COMPONENTS

SES DT	POSITIONS PER ROW	32	PLATING OPTION	ASSEMBLED LENGTH	OPTIONS
---------------	--------------------------	-----------	-----------------------	-------------------------	----------------

= Double Row
Blue *Teflon®
Cable
(32 AWG)

-05, -10, -15, -20
(Standard sizes)

-G
= 10 μ" (0.25 μm)
Gold on contact area,
3 μ" (0.08 μm) Gold on tail

-"XX.X"
= Assembled
Length in Inches
(76.2 mm) 03.0" min.

Double Ended Assemblies

- L1**
= Pin 1 to Pin 1
- L2**
= Pin 1 to Pin 2
- L3**
= Pin 1 to Pin N-1
- L4**
= Pin 1 to Pin N

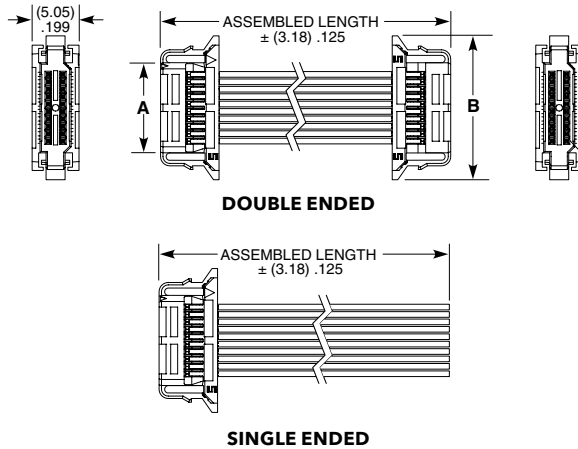
SES DT
Board Mates:
TEM-L1

SPECIFICATIONS

Insulator Material:
Natural Nylon
Contact Material:
BeCu
Plating:
Au over 50 μ" (1.27 μm) Ni
Wire:
Tinned Copper
Wire Insulation:
FEP
Operating Temp Range:
-55 °C to +125 °C
Current Rating:
1.9 A per pin
(2 pins powered)
Voltage Rating:
200 VAC/280 VDC

*DuPont™ Teflon® is a registered trademark of the E.I. du Pont de Nemours and Company or its affiliates.

Note:
Teflon® cable is intended for crimp only. Contact Samtec for solderable cable applications.



Single Ended Assembly

- L**
= Latching

NO. OF POSITIONS	A	B
-05	(5.70) .224	(11.50) .453
-10	(9.70) .382	(15.50) .610
-15	(13.70) .539	(19.50) .768
-20	(17.70) .697	(23.50) .925

View complete specifications at: samtec.com?SES DT

IS DE	POSITIONS PER ROW	D	L	SERIES	WIRE GAUGE	PLATING	REEL OPTIONS
--------------	--------------------------	----------	----------	---------------	-------------------	----------------	---------------------

-05, -10, -15, -20
(Standard sizes)

-D
= Dual Row

-L
= Latch

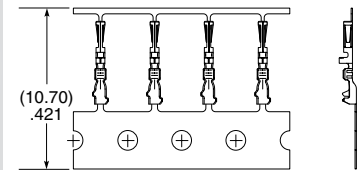
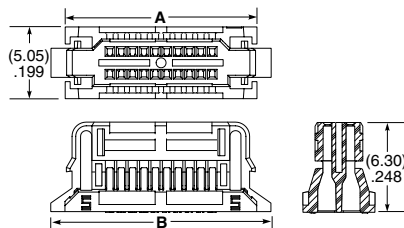
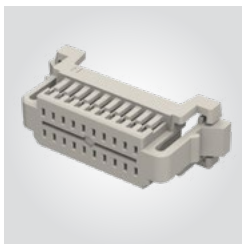
CC396
= Contact

-3234
= 32 to 34 AWG

-G
= 10 μ" (0.25 μm)
Gold on contact area,
3 μ" (0.08 μm)
Gold on tail

- U**
= Micro Reel (4K Contacts)
- M**
= Mini Reel (15K Contacts)
- R**
= Reel (50K Contacts)

POSITIONS PER ROW	A	B
-05	(9.50) .374	(11.50) .453
-10	(13.50) .531	(15.50) .610
-15	(17.50) .689	(19.50) .768
-20	(21.50) .846	(23.50) .925



TOOLING

Hand Tool: CAT-HT-396-3232-12

Mini Applicator: CAT-MC-396-3232-XX-03

Note:
Some lengths, styles and options are non-standard, non-returnable

View complete specifications at: samtec.com?IS DE & samtec.com?CC396