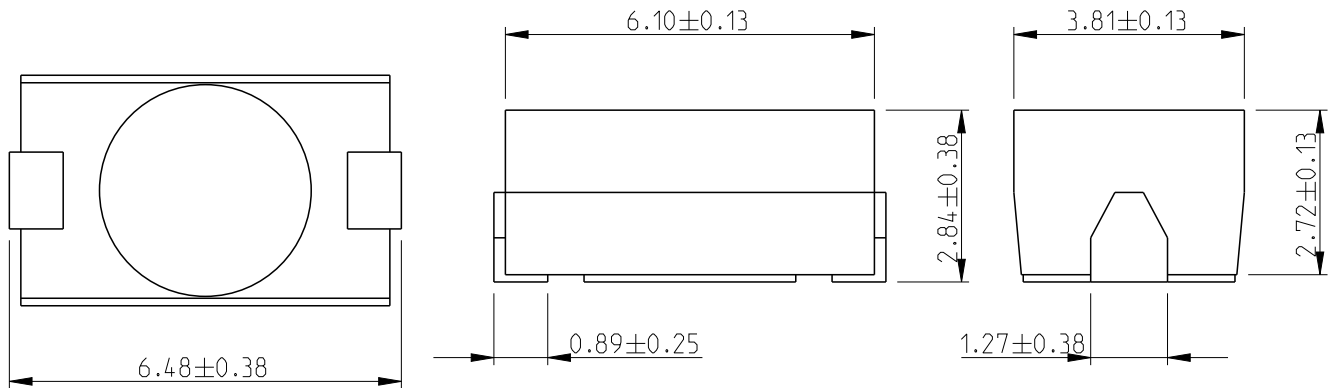
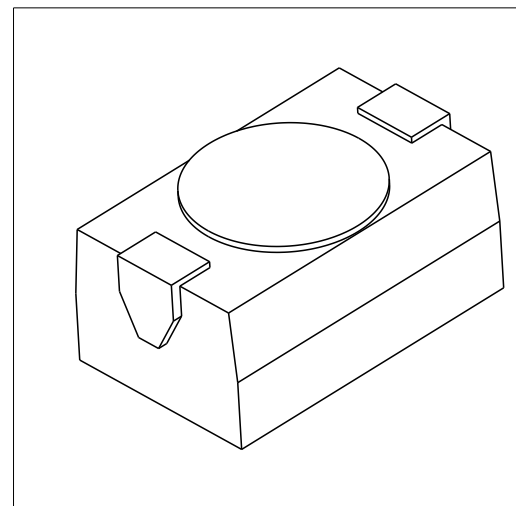
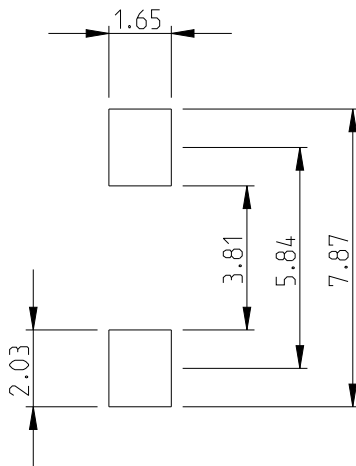


REVISIONS					
P	LTR	DESCRIPTION	DATE	DWN	APVD
	BA	NEW RELEASE	10JULY2010	PT	St.P
	BA1	ECR-13-018622	28NOV2013	KR	TN

FOR FURTHER INFORMATION SEE DATA SHEET FOR SERIES S - SMD MOULDED POWER RESISTOR



RECOMMENDED LAND PATTERN



2008


RELEASED FOR PUBLICATION

ALL RIGHTS RESERVED.

THIS DRAWING IS UNPUBLISHED.

BY -

© COPYRIGHT 2008

DIMENSIONS: mm		DWN PARUSURAM.T 10JULY2010	MATERIAL -	FINISH -		
TOLERANCES UNLESS OTHERWISE SPECIFIED:		CHK ALLAN.P 10JULY2010	 TE Connectivity			
0 PLC $\pm 0.2$ 1 PLC $\pm 0.1$ 2 PLC $\pm$ 3 PLC $\pm$ 4 PLC $\pm$ ANGLES $\pm 5^\circ$		APVD STEPHEN.P 10JULY2010				
		PRODUCT SPEC -	NAME SMD PRECISION CURRENT SENSE RESISTOR SERIES SL1			
		APPLICATION SPEC -	SIZE A4	CAGE CODE 00779	DRAWING NO C=1624262	RESTRICTED TO -
		WEIGHT -	SCALE 8:1		SHEET 1 OF 1	REV BA1
		Customer Drawing				