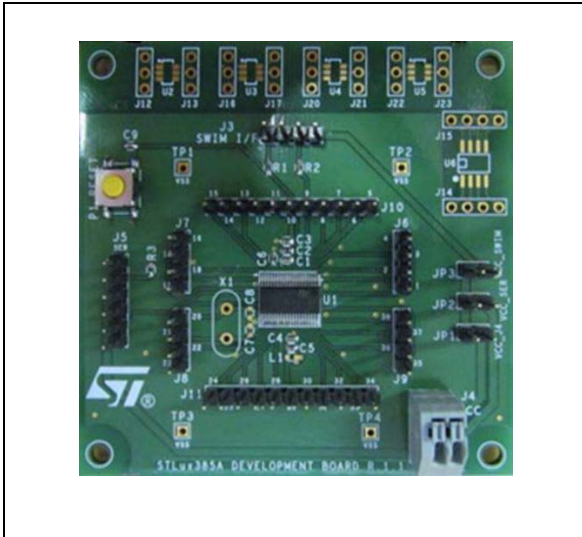


STLUX385A product evaluation board

Data brief

**Features**

- All STLUX385A pins available on connectors
- Convenient tool for testing SMEDs
- USB, external or SWIM power supply
- Four SOT23-6 footprint areas
- One SO8 footprint area available
- One external clock (HSE) footprint area
- Reset button
- Serial USB TTL cable available
- RoHS compliant

Description

The STEVAL-ILL068V1 helps designers to familiarize themselves with the STLUX385A device and the innovative SMED (state machine, event driven) functionality.

A convenient GUI helps to quickly generate the SMED configuration appropriate for the desired application. The external pins make it easy to insert SMED events and capture the SMED-controlled PWM clock. Alternatively, the application circuit can be driven directly from the product evaluation board.

A dedicated UART TTL to USB cable is available for communication with the STLUX385A. The cable is used to connect the board to a PC running a terminal utility.

Application-wise, the serial interface can be used to extend the STLUX communication capabilities via a Bluetooth[®], Wi-Fi or powerline modem.

The STEVAL-ILL068V1 can be powered up in three different ways: using an external power supply, via the USB TTL cable or via the SWIM interface.

The board features several free footprint areas, ideal for connecting power drivers or amplifiers.

An additional free PCB footprint allows the user to connect a quartz clock, which can be used in place of the STLUX385A internal clocks.

1 Schematic diagrams

Figure 1. STEVAL-ILL068V1 circuit schematic (part 1)

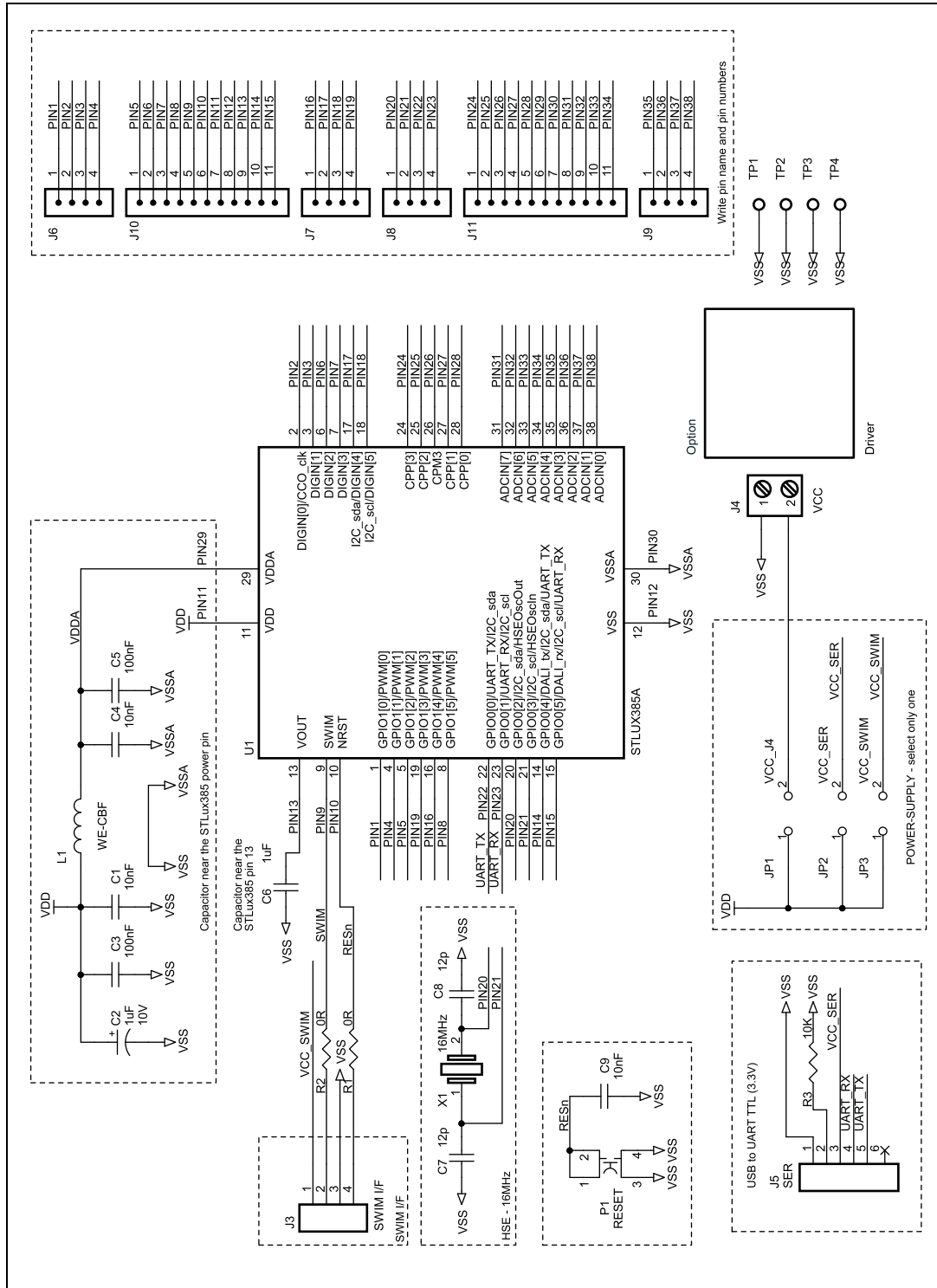
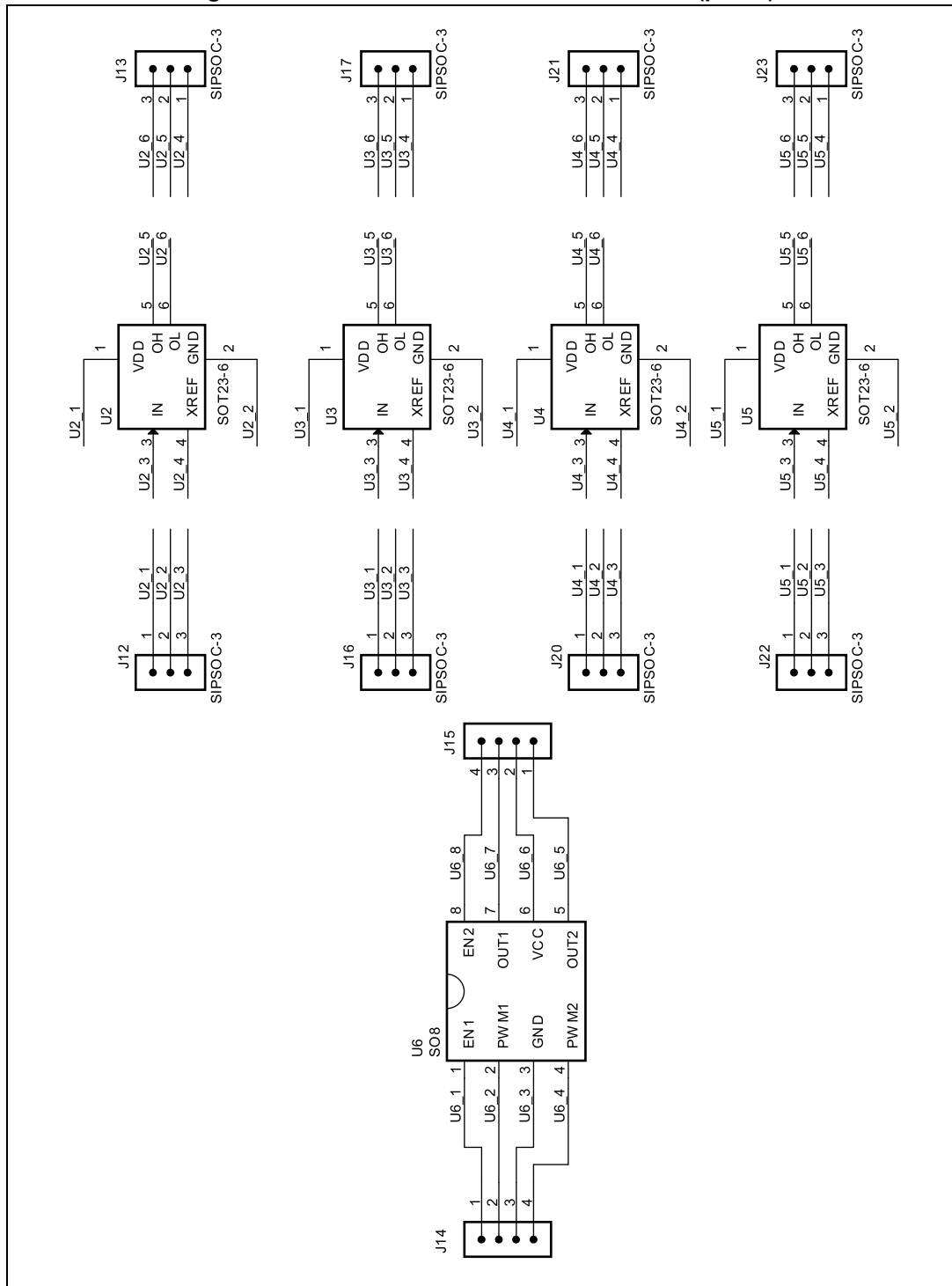


Figure 2. STEVAL-ILL068V1 circuit schematic (part 2)



2 Revision history

Table 1. Document revision history

Date	Revision	Changes
03-Apr-2014	1	Initial release.
03-Jul-2014	2	Updated main title : <i>STLUX385A product evaluation board on page 1.</i> Minor modifications throughout document.

Please Read Carefully:

Information in this document is provided solely in connection with ST products. STMicroelectronics NV and its subsidiaries ("ST") reserve the right to make changes, corrections, modifications or improvements, to this document, and the products and services described herein at any time, without notice.

All ST products are sold pursuant to ST's terms and conditions of sale.

Purchasers are solely responsible for the choice, selection and use of the ST products and services described herein, and ST assumes no liability whatsoever relating to the choice, selection or use of the ST products and services described herein.

No license, express or implied, by estoppel or otherwise, to any intellectual property rights is granted under this document. If any part of this document refers to any third party products or services it shall not be deemed a license grant by ST for the use of such third party products or services, or any intellectual property contained therein or considered as a warranty covering the use in any manner whatsoever of such third party products or services or any intellectual property contained therein.

UNLESS OTHERWISE SET FORTH IN ST'S TERMS AND CONDITIONS OF SALE ST DISCLAIMS ANY EXPRESS OR IMPLIED WARRANTY WITH RESPECT TO THE USE AND/OR SALE OF ST PRODUCTS INCLUDING WITHOUT LIMITATION IMPLIED WARRANTIES OF MERCHANTABILITY, FITNESS FOR A PARTICULAR PURPOSE (AND THEIR EQUIVALENTS UNDER THE LAWS OF ANY JURISDICTION), OR INFRINGEMENT OF ANY PATENT, COPYRIGHT OR OTHER INTELLECTUAL PROPERTY RIGHT.

ST PRODUCTS ARE NOT DESIGNED OR AUTHORIZED FOR USE IN: (A) SAFETY CRITICAL APPLICATIONS SUCH AS LIFE SUPPORTING, ACTIVE IMPLANTED DEVICES OR SYSTEMS WITH PRODUCT FUNCTIONAL SAFETY REQUIREMENTS; (B) AERONAUTIC APPLICATIONS; (C) AUTOMOTIVE APPLICATIONS OR ENVIRONMENTS, AND/OR (D) AEROSPACE APPLICATIONS OR ENVIRONMENTS. WHERE ST PRODUCTS ARE NOT DESIGNED FOR SUCH USE, THE PURCHASER SHALL USE PRODUCTS AT PURCHASER'S SOLE RISK, EVEN IF ST HAS BEEN INFORMED IN WRITING OF SUCH USAGE, UNLESS A PRODUCT IS EXPRESSLY DESIGNATED BY ST AS BEING INTENDED FOR "AUTOMOTIVE, AUTOMOTIVE SAFETY OR MEDICAL" INDUSTRY DOMAINS ACCORDING TO ST PRODUCT DESIGN SPECIFICATIONS. PRODUCTS FORMALLY ESCC, QML OR JAN QUALIFIED ARE DEEMED SUITABLE FOR USE IN AEROSPACE BY THE CORRESPONDING GOVERNMENTAL AGENCY.

Resale of ST products with provisions different from the statements and/or technical features set forth in this document shall immediately void any warranty granted by ST for the ST product or service described herein and shall not create or extend in any manner whatsoever, any liability of ST.

ST and the ST logo are trademarks or registered trademarks of ST in various countries.

Information in this document supersedes and replaces all information previously supplied.

The ST logo is a registered trademark of STMicroelectronics. All other names are the property of their respective owners.

© 2014 STMicroelectronics - All rights reserved

STMicroelectronics group of companies

Australia - Belgium - Brazil - Canada - China - Czech Republic - Finland - France - Germany - Hong Kong - India - Israel - Italy - Japan - Malaysia - Malta - Morocco - Philippines - Singapore - Spain - Sweden - Switzerland - United Kingdom - United States of America

www.st.com

