

U\_B2B\_Connectors  
B2B\_Connectors.SchDoc



Ethernet  
Ethernet.SchDoc



U\_LED\_SW\_BUT  
LED\_SW\_BUT.SchDoc



U\_POWER  
POWER.SchDoc



U\_VG\_CONN  
VG\_CONN.SchDoc



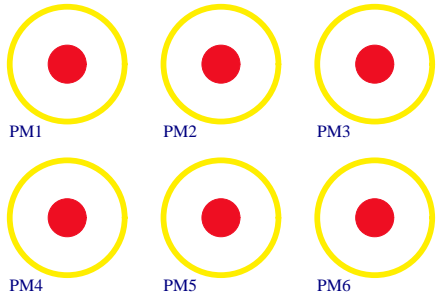
U\_USB  
USB.SchDoc



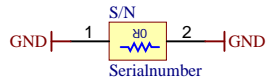
SDCard  
SDCard.SchDoc



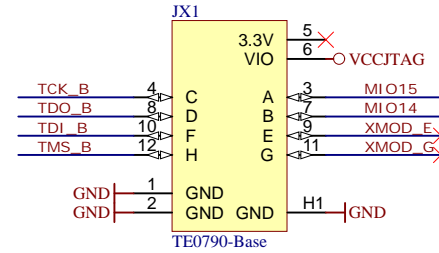
U\_ETH-PHY  
ETH-PHY.SchDoc



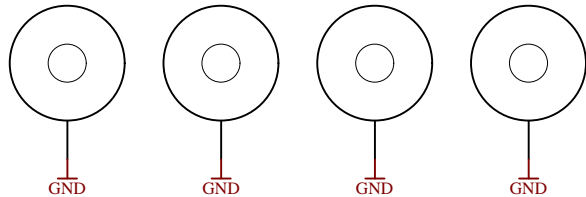
Serial  
Serial  
Serialnumber 6,3 x 6.3mm



XMOD-FT2232H header: JTAG and UART



Mount.Hole 3.2mm Mount.Hole 3.2mm Mount.Hole 3.2mm Mount.Hole 3.2mm



LOGO1  
TE Logo PRINT Layer

LOGO PRINT

	Title: <b>Overview</b>		
	A4	Number: <b>TE0706</b> <b>TE0706</b>	Rev. <b>02</b>
	Date: <b>2016-06-28</b>	Copyright: <b>Trenz Electronic GmbH</b>	Page1 of 10
	Filename: <b>TE0706.SchDoc</b>		

A

B

C

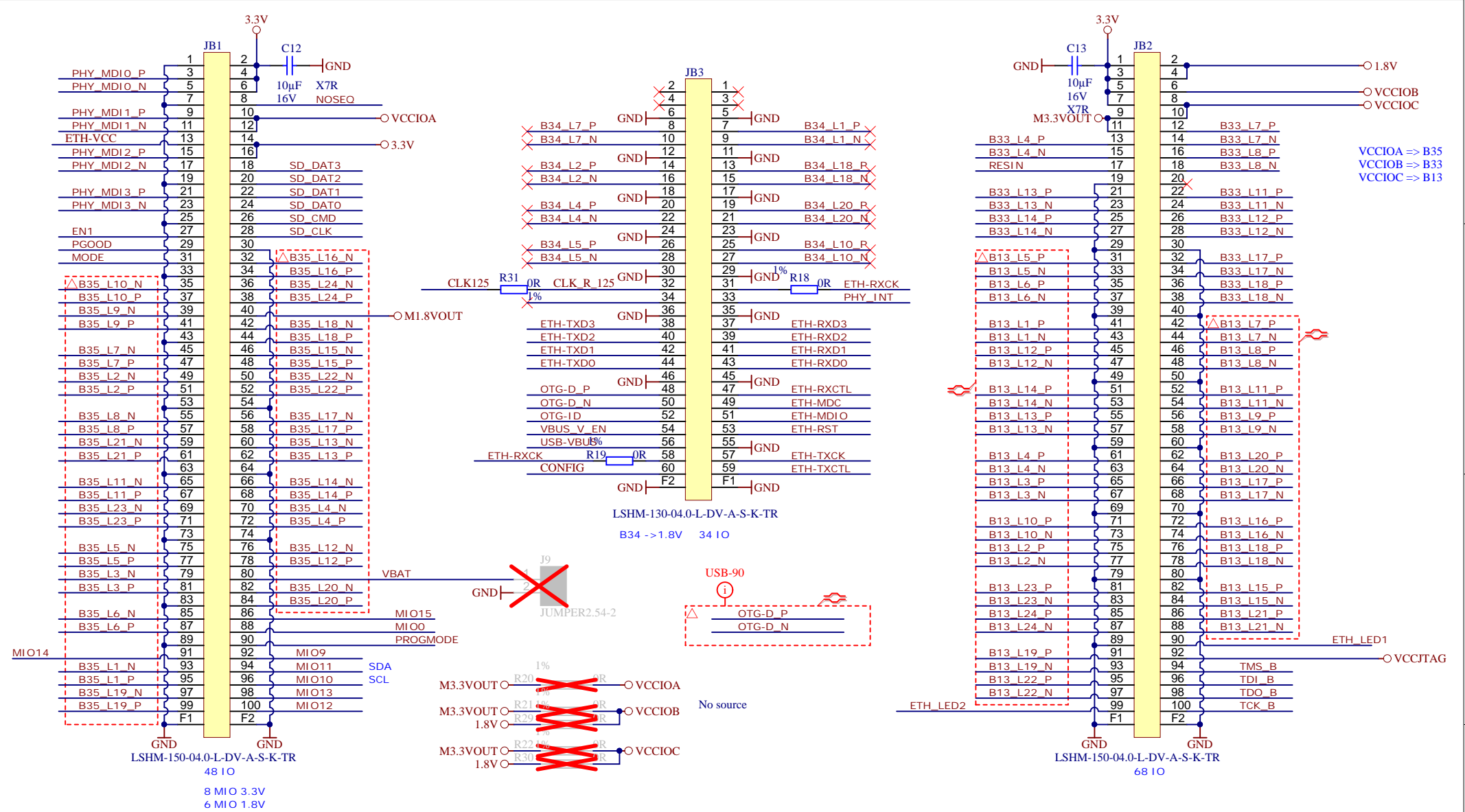
D

A

B

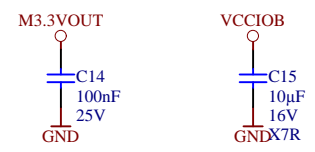
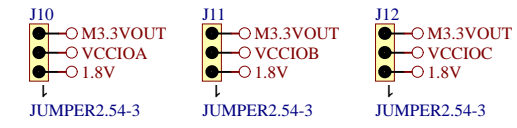
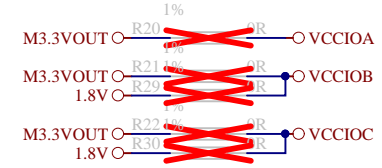
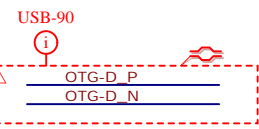
C

D

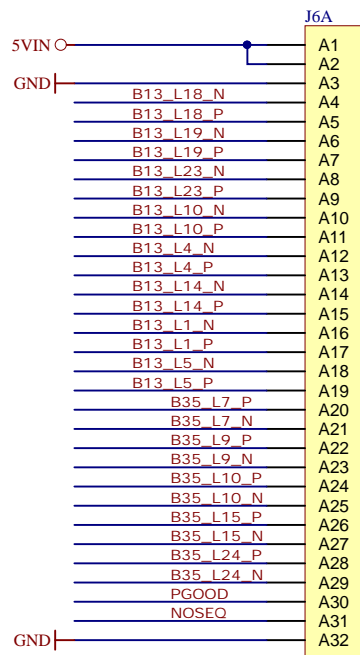


VCCIOA => B35  
VCCIOB => B33  
VCCIOC => B13

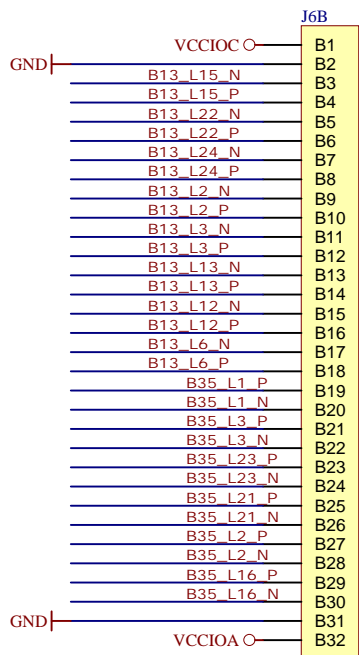
LSHM-130-04.0-L-DV-A-S-K-TR  
B34 -> 1.8V 34 IO



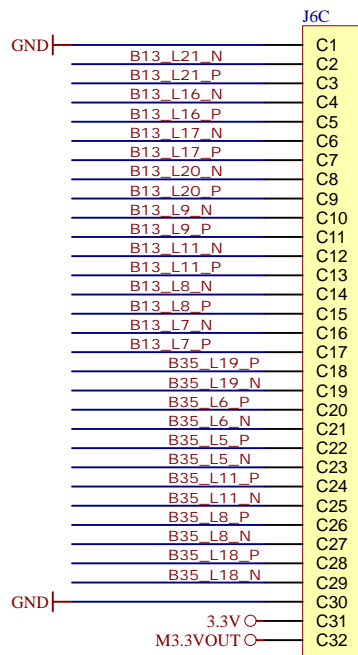
Title: <b>B2B Connector</b>		
A4	Number: <b>TE0706</b> <b>TE0706</b>	Rev. <b>02</b>
Date: <b>2016-06-28</b>	Copyright: <b>Trenz Electronic GmbH</b>	Page <b>2</b> of <b>10</b>
Filename: <b>B2B_Connectors.SchDoc</b>		



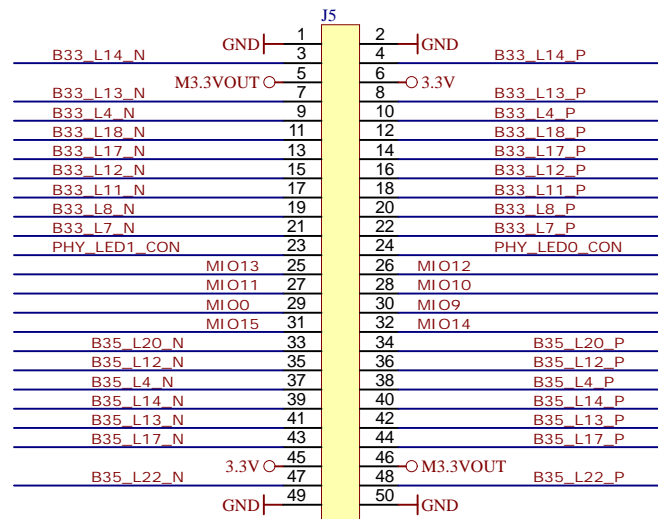
VG96 Buchsenleiste Vertikal



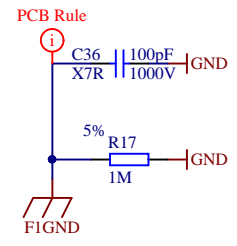
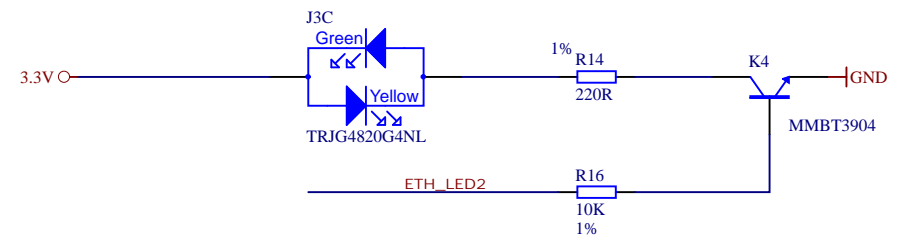
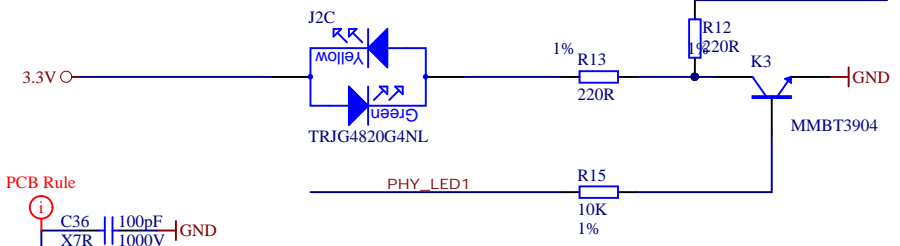
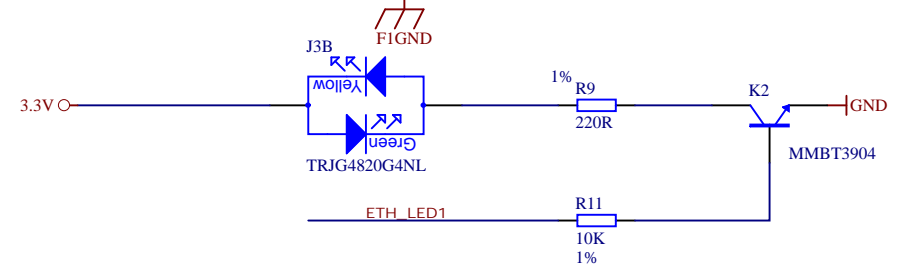
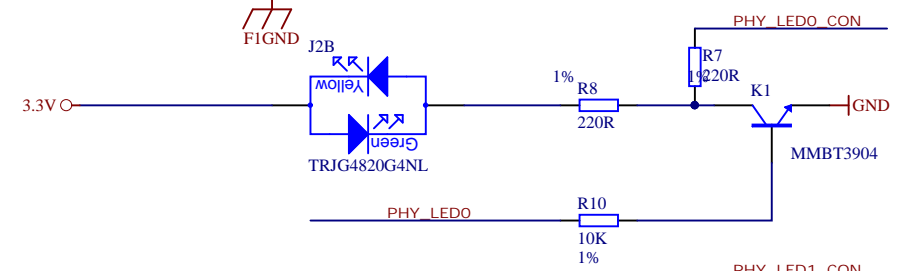
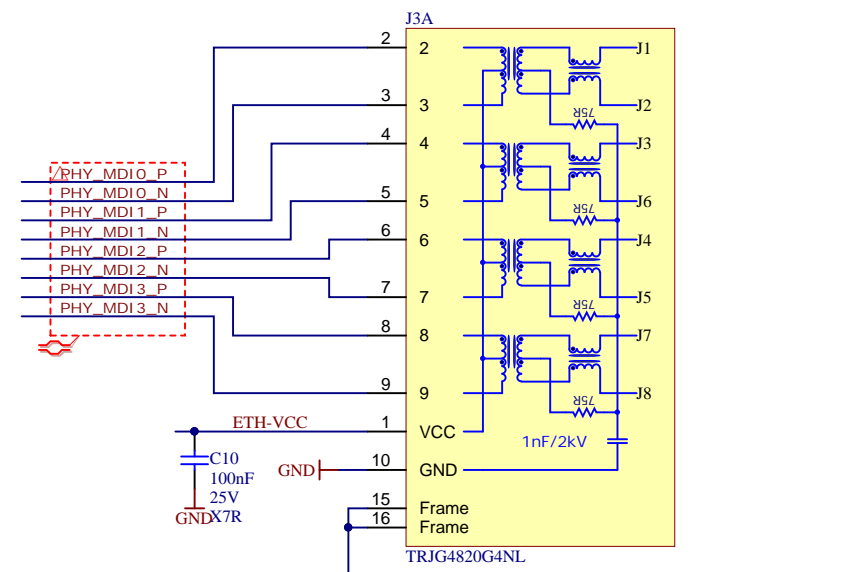
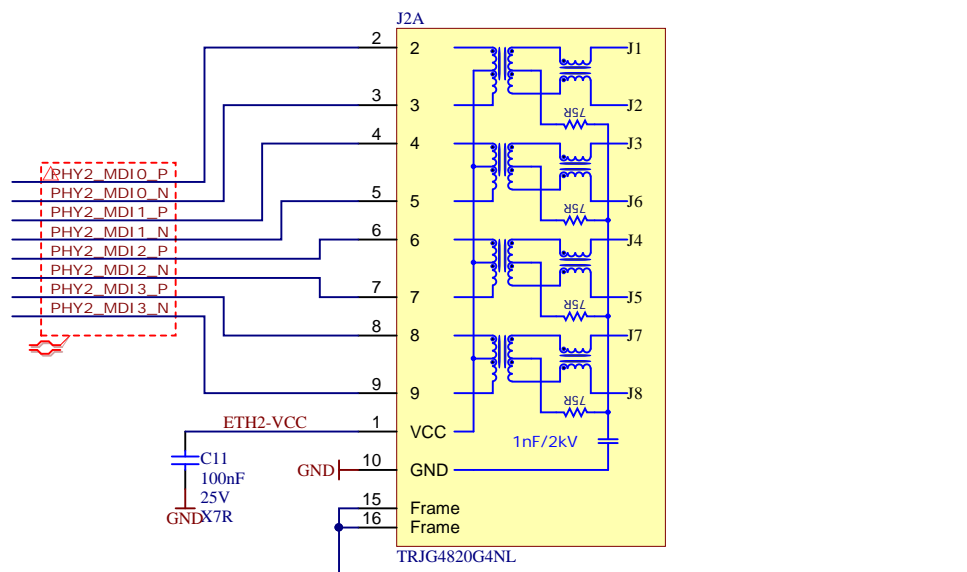

VG96 Buchsenleiste Vertikal



VG96 Buchsenleiste Vertikal



Title: External Connector		
A4	Number: TE0706 TE0706	Rev. 02
Date: 2016-06-28	Copyright: Trenz Electronic GmbH	Page3 of 10
Filename: VG_CONN.SchDoc		

Title: Ethernet		
A4	Number: TE0706 TE0706	Rev. 02
Datum: 2016-06-28	Zeichner: Trenz Electronic GmbH	Blatt 4 von 10
Filename: Ethernet.SchDoc		

A

B

C

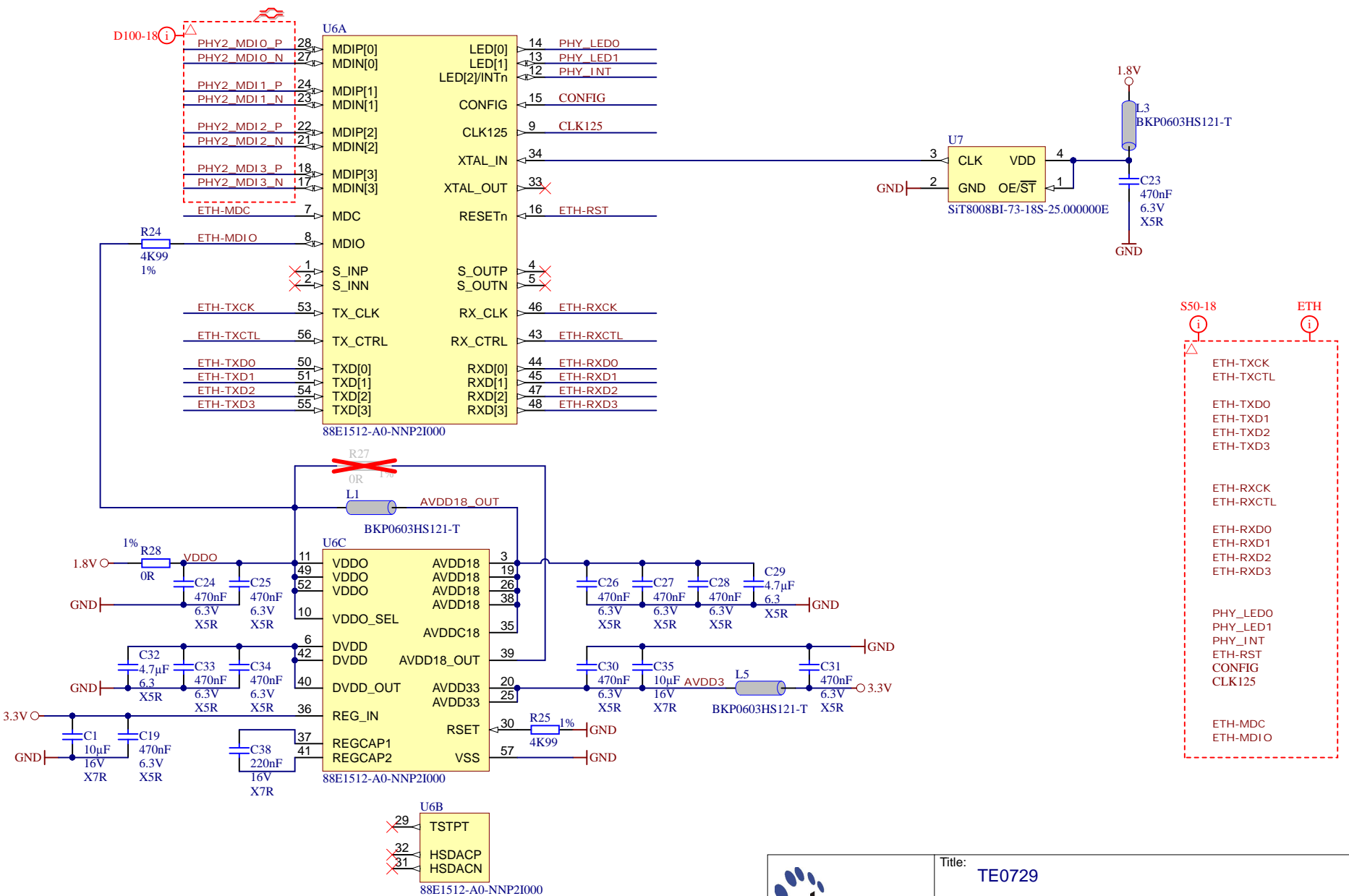
D

A

B

C

D



Title: <b>TE0729</b>		
A4	Number: <b>TE0706</b> <b>TE0706</b>	Rev. <b>02</b>
Date: <b>2016-06-28</b>	Copyright: <b>Trenz Electronic GmbH</b>	Page <b>5</b> of <b>10</b>
Filename: <b>ETH-PHY.SchDoc</b>		

1

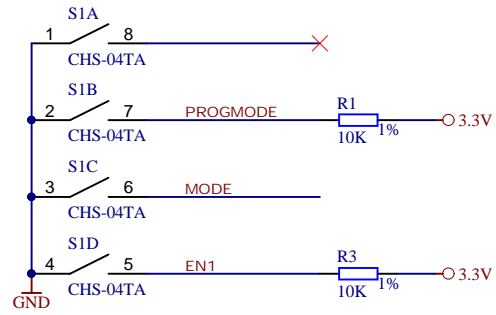
2

3

4

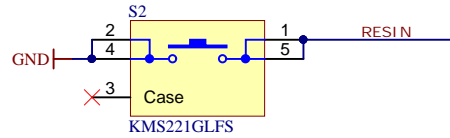
A

A



B

B



C

C

D


D

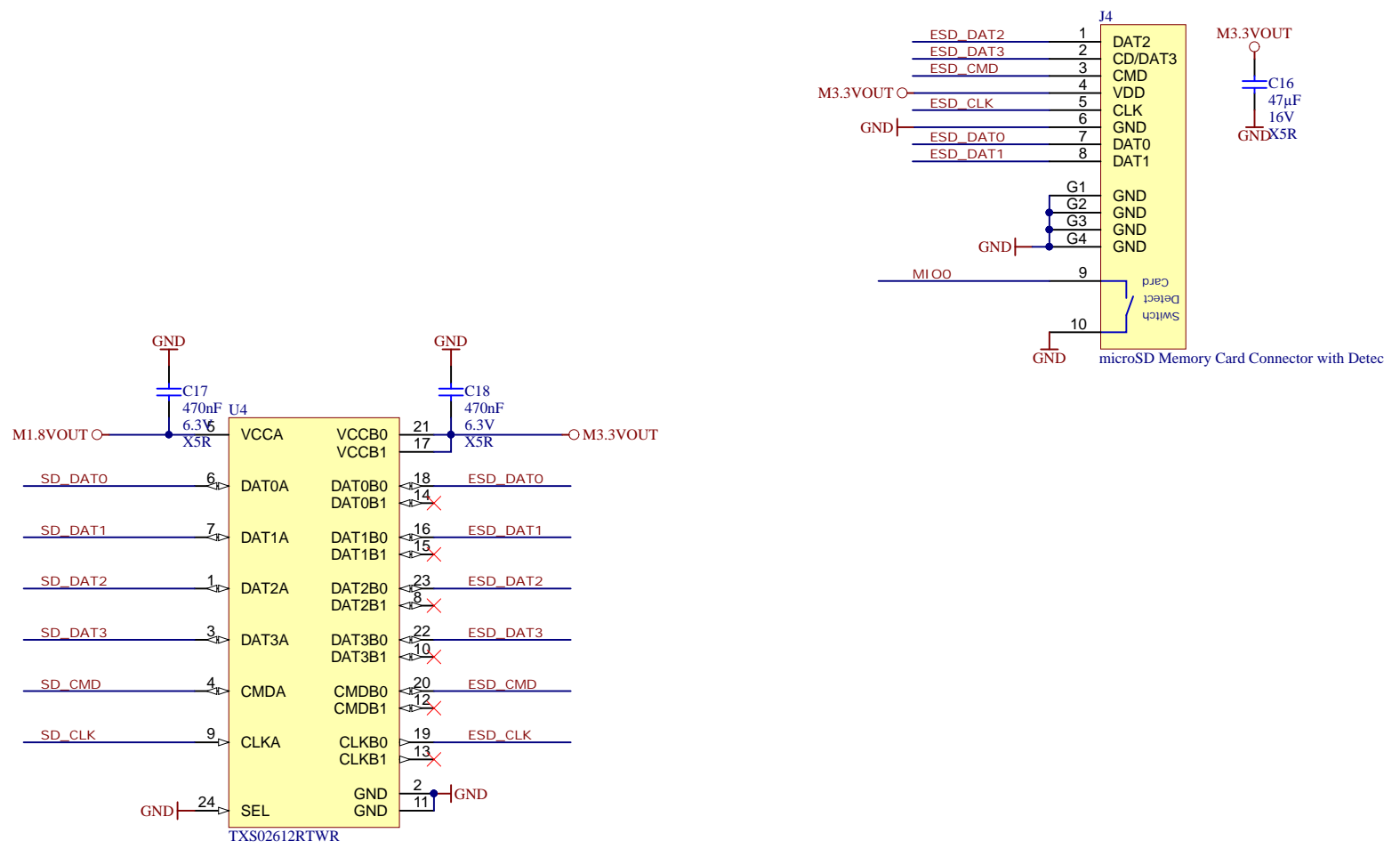
1

2

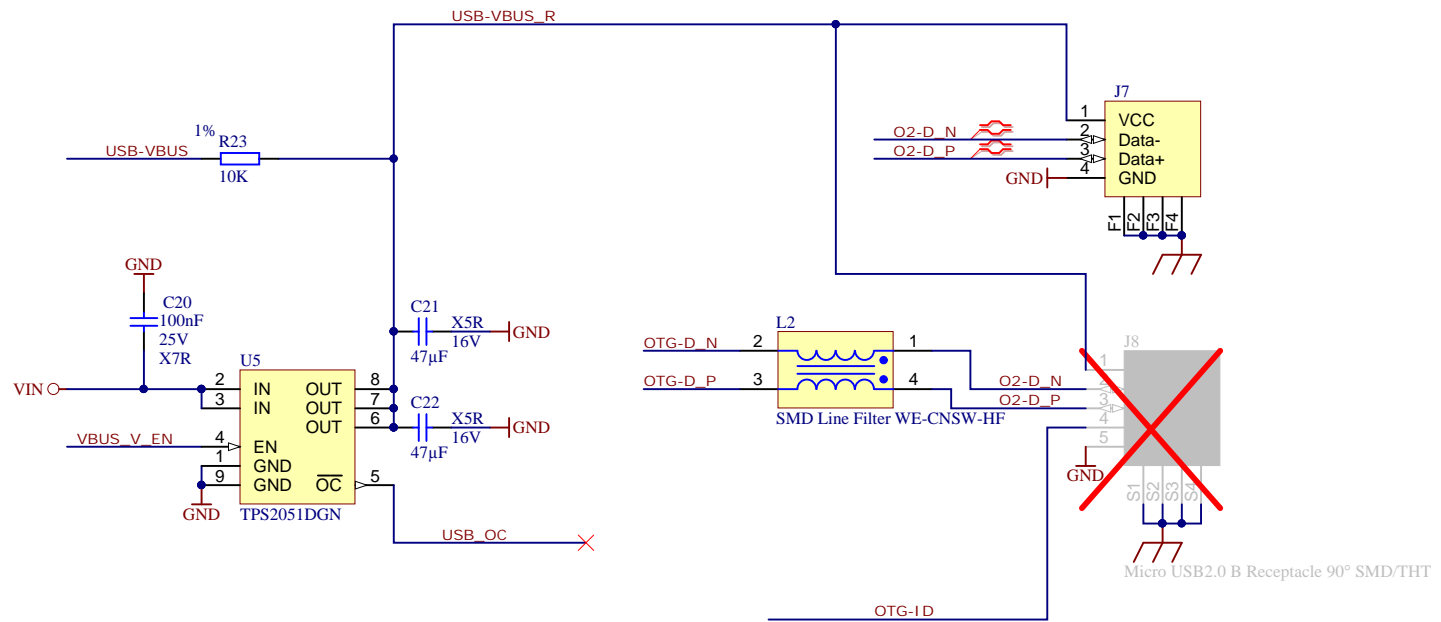
3


4

			Title: LED-Switch	
			A4	Number: TE0706 TE0706
Date: 2016-06-28		Copyright: Trenz Electronic GmbH		Page 6 of 10
Filename: LED_SW_BUT.SchDoc				

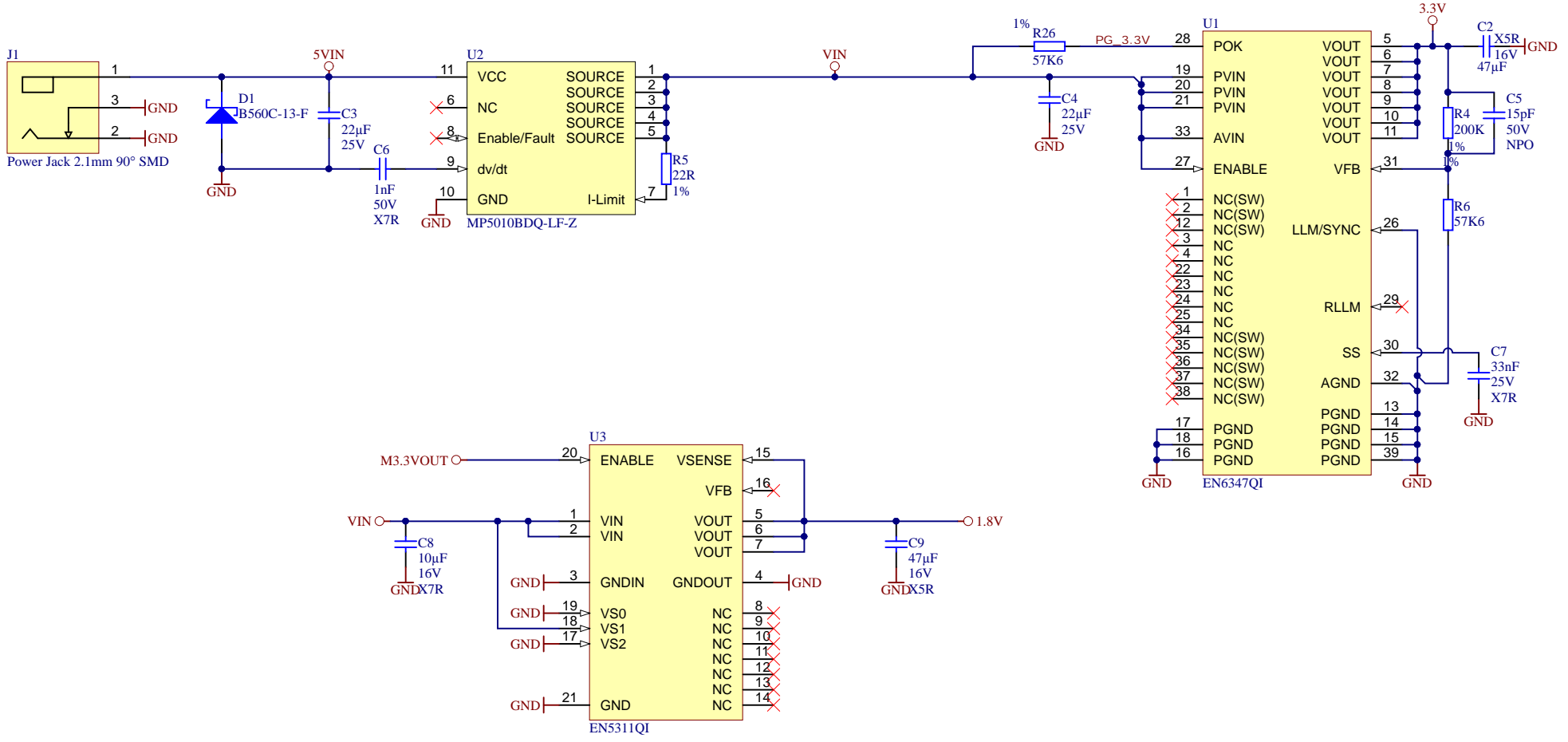


Title: SD Card		
A4	Number: TE0706 TE0706	Rev. 02
Date: 2016-06-28	Copyright: Trenz Electronic GmbH	Page 7 of 10
Filename: SDCard.SchDoc		



	Title: <b>USB</b>		
	A4	Number: <b>TE0706</b> <b>TE0706</b>	Rev. <b>02</b>
	Date: <b>2016-06-28</b>	Copyright: <b>Trenz Electronic GmbH</b>	Page <b>8</b> of <b>10</b>
	Filename: <b>USB.SchDoc</b>		





	Title: <b>Power</b>	
	A4	Number: <b>TE0706</b> <b>TE0706</b>
	Datum: 2016-06-28	Rev. <b>02</b>
	Blatt 9 von 10	
Dateiname: <b>POWER.SchDoc</b>		

1

2

3

4

CHANGES REV01 to REV02

- 1) added support for 1.8V IO TE0715-30 (added 3-pin headers for variable voltage banks )
- 2) PWR connector type changed THT->SMD
- 3) swapped xmod RX <->TX
- 4) added 0 ohm to disconnect CLK125 for GT module compatibility
- 5) changed micro-USB
- 6) add ferrite beads L1
- 7) update Razorbeam Connectors, full update lib
- 8) added serial number (traceability pad)
- 9) added thermal vias to mounting holes

23.11.2017:

- 10) U8 MP5010ADQ-LF-Z replaced to MP5010BDQ-LF-Z

A

A

B


B

C

C

D

D

	Title: TE0706 - Changes list		
	A4	Number: TE0706 TE0706	Rev. 02
	Date: 2016-06-28	Copyright: Trenz Electronic GmbH	Page 10 of 10
	Filename: Revision_Changes.SchDoc		

1

2

3

4