

### Main

Range of Product	Lexium Altivar
Product or Component Type	EMC input filter
Range Compatibility	Altivar 32 Altivar Machine ATV320 Lexium 28 Lexium 32
Product compatibility	ATV32, 200...240 V, 0.18...0.75 kW LXM28A LXM32, single-phase, line current 2.9...5.4 A Variable speed drive ATV320...B 0.18 kW, 200...240 V, single phase Variable speed drive ATV320...B 0.37 kW, 200...240 V, single phase Variable speed drive ATV320...B 0.55 kW, 200...240 V, single phase Variable speed drive ATV320...B 0.75 kW, 200...240 V, single phase
Product Specific Application	Radio interference input filter
Mounting Location	At variable speed drive side
Phase	Single phase

### Complementary

Maximum cable distance between devices	65.62 Ft (20 m) IEC 61800-3 category C1 164.04 ft (50 m) IEC 61800-3 category C2
Line Rated Current	10.1 A
Thermal losses	3.7 W
Network rated voltage	200...240 V
Tolerance	- 15...10 %
Net Weight	1.32 lb(US) (0.6 kg)
Emc filter compatibility	Type 020

### Ordering and shipping details

Category	22152 - ATV320/ATV312/ATV32 (.25 THRU 7.5HP)
Discount Schedule	CP4B
GTIN	3606480166877
Nbr. of units in pkg.	1
Package weight(Lbs)	16.44 oz (466 g)
Returnability	No
Country of origin	TH

### Packing Units

Unit Type of Package 1	PCE
Package 1 Height	1.97 in (5 cm)
Package 1 width	9.13 in (23.2 cm)
Package 1 Length	7.17 in (18.2 cm)
Unit Type of Package 2	S03
Number of Units in Package 2	11
Package 2 Weight	12.26 lb(US) (5.559 kg)
Package 2 Height	11.81 in (30 cm)

Package 2 width	11.81 in (30 cm)
Package 2 Length	15.75 in (40 cm)
Unit Type of Package 3	P06
Number of Units in Package 3	88
Package 3 Weight	123.08 lb(US) (55.828 kg)
Package 3 Height	30.31 in (77 cm)
Package 3 width	31.50 in (80 cm)
Package 3 Length	23.62 in (60 cm)

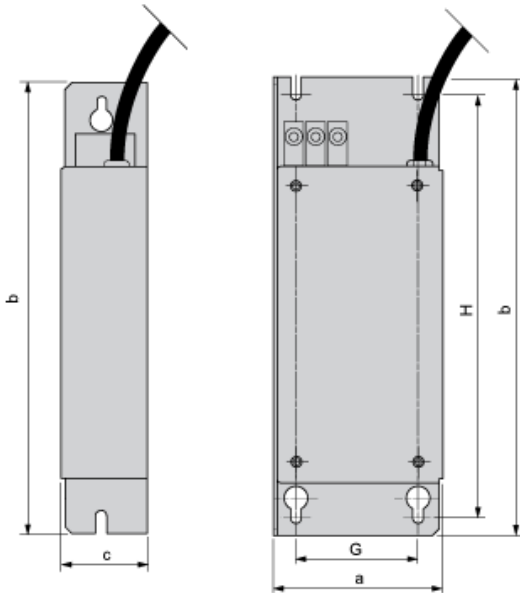
### Offer Sustainability

California proposition 65	WARNING: This product can expose you to chemicals including: Lead and lead compounds, which is known to the State of California to cause cancer and birth defects or other reproductive harm. For more information go to <a href="http://www.P65Warnings.ca.gov">www.P65Warnings.ca.gov</a>
REACH Regulation	<a href="#">REACH Declaration</a>
REACH free of SVHC	Yes
EU RoHS Directive	Pro-active compliance (Product out of EU RoHS legal scope) <a href="#">EU RoHS Declaration</a>
Toxic heavy metal free	Yes
Mercury free	Yes
RoHS exemption information	<a href="#">Yes</a>
China RoHS Regulation	<a href="#">China RoHS Declaration</a>

### Contractual warranty

Warranty	18 months
----------	-----------

Additional EMC Input Filters



Dimensions in mm

a	b	c	G	H	Ø
72	195	37	52	180	4.5

Dimensions in in.

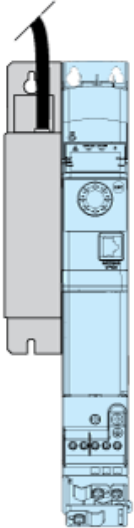
a	b	c	G	H	Ø
2.83	7.68	1.46	2.05	7.09	0.18

---

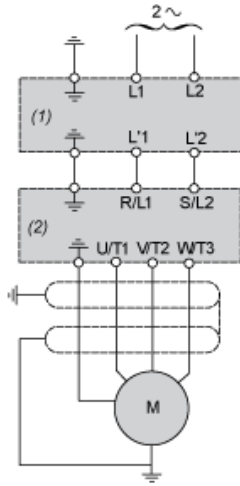
Mounting Recommendations

---

Mounting the Filter on the Side of the Drive



Recommended Schema



- (1) Filter
- (2) Drive