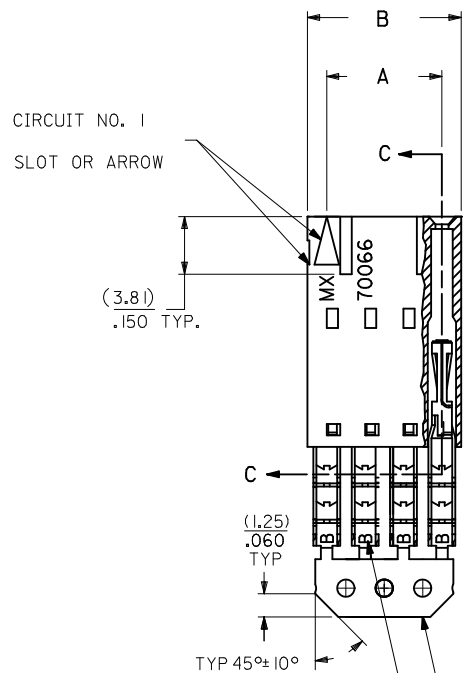
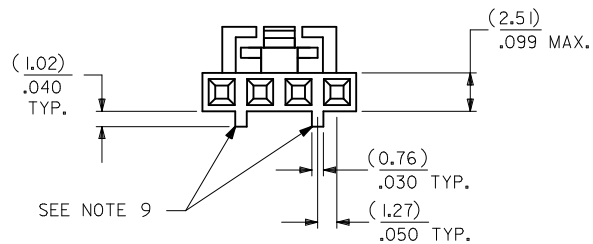


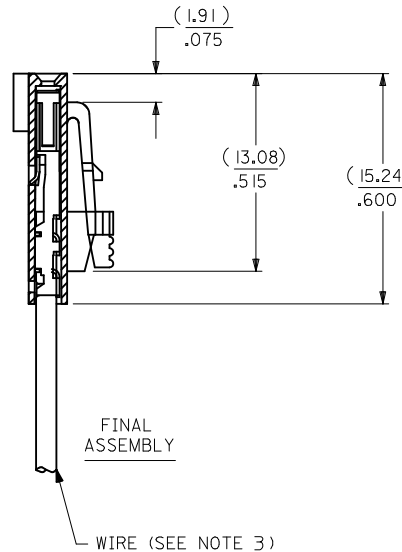
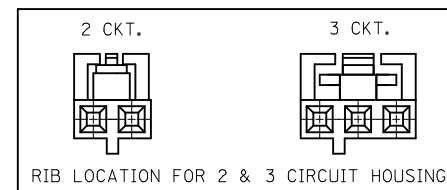
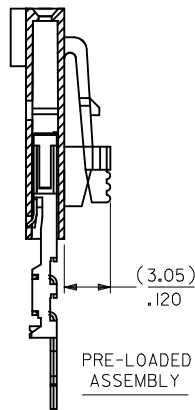
OPTION G



I.D. SLOT CODE TO WIRE GAUGE CHART	
I.D. SLOT CODE	WIRE GAUGE
B	26 AWG.

PLATING CODE (STRIPE ON CARRIER STRIP)	
PLATING	COLOR
15 GOLD	YELLOW

SECTION C-C

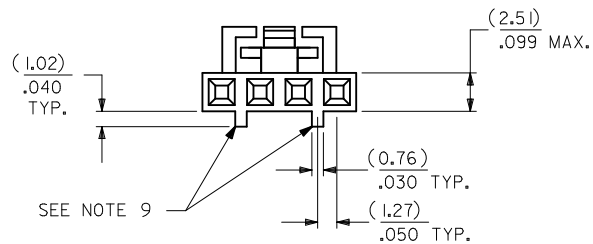


- NOTES:
- MATERIAL:
HOUSING: POLYESTER(PBT), GLASS FILLED, UL94 V-0,
COLOR: BLACK
TERMINAL: PHOSPHOR BRONZE
 - FINISH:
15 GOLD: 0.38 MICROMETERS/15 MICROINCHES MINIMUM GOLD IN
1.91 MICROMETERS/75 MICROINCHES MINIMUM TIN
OVER NICKEL UNDERPLATE OVERALL
 - TO BE USED WITH 26 AWG STRANDED WIRE WITH (1.35)/.053
DIAMETER MAXIMUM INSULATION
 - SEE TABLE FOR AVAILABLE CIRCUIT SIZES
 - STANDARD PACKAGING PER PK-70873-0001. OPTIONAL PACKAGING
MAY BE AVAILABLE, REQUEST DRAWING PK-70400
 - PARTS STACKABLE END TO END ON (2.54)/.100 CENTERS
 - PRODUCT SPECIFICATION: PS-70400
 - SEE DRAWING SDA-70400-**** (SHEET 3) FOR OPTIONAL
HOUSING DETAILS
 - 4 CIRCUIT SHOWN. 3-25 CIRCUITS HAVE 2 RIBS
 - TO MATE WITH MOLEX PART NUMBERS: A-70373-****,
A-70375-****, A-70389-****, A-70391-****,
A-70107-****, A-70018-****, A-70543-****,
A-70553-****, A-70541-****, A-70551-****,
A-70545-****, A-70555-****
 - 2 CIRCUIT ASSEMBLIES SUPPLIED AS GROUPED PAIRS

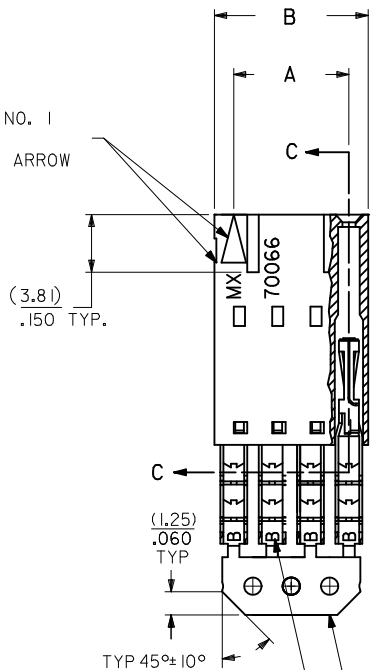
CKT. SIZE	A	B	EDP. NO.
2	(2.54) .100	(5.05) .199	14-56-2024
3	(5.08) .200	(7.59) .299	14-56-2034
4	(7.62) .300	(10.13) .399	14-56-2044
5	(10.16) .400	(12.67) .499	14-56-2054
6	(12.70) .500	(15.21) .599	14-56-2064
7	(15.24) .600	(17.75) .699	14-56-2074
8	(17.78) .700	(20.29) .799	14-56-2084
9	(20.32) .800	(22.83) .899	14-56-2094
10	(22.86) .900	(25.37) .999	14-56-2104
11	(25.54) 1.000	(27.91) 1.099	14-56-2114
12	(27.94) 1.100	(30.45) 1.199	14-56-2124
13	(30.48) 1.200	(32.99) 1.299	14-56-2134
14	(33.02) 1.300	(35.53) 1.399	14-56-2144
15	(35.56) 1.400	(38.07) 1.499	14-56-2154
16	(38.01) 1.500	(40.61) 1.599	14-56-2164
17	(40.64) 1.600	(43.15) 1.699	14-56-2174
18	(43.18) 1.700	(45.69) 1.799	14-56-2184
19	(45.72) 1.800	(48.23) 1.899	14-56-2194
20	(48.26) 1.900	(50.77) 1.999	14-56-2204
21	(50.80) 2.000	(53.31) 2.099	14-56-2214
22	(53.34) 2.100	(55.85) 2.199	14-56-2224
23	(55.88) 2.200	(58.39) 2.299	14-56-2234
24	(58.42) 2.300	(60.93) 2.399	14-56-2244
25	(60.96) 2.400	(63.47) 2.499	14-56-2254

REMOVE ENG NO. EC NO: UCP2011-110 DRWIN:MSIBARRA 2010/10/19 CHKD:JMORGAN 2010/10/19 APPR:SMILLER 2010/11/24	QUALITY SYMBOLS ▽=0 ▽=0 ▽=0	GENERAL TOLERANCES (UNLESS SPECIFIED) mm INCH 4 PLACES ± --- ± --- 3 PLACES ± --- ± .010 2 PLACES ± 0.25 ± .014 1 PLACE ± 0.35 ± --- ANGULAR ± 1/2°	DIMENSION STYLE MM/IN	SCALE	DESIGN UNITS INCH	THIRD ANGLE PROJECTION
			DRAWN BY MSIBARRA	DATE 2010/10/19	TITLE ASSEMBLY, SL CONNECTOR SINGLE ROW 2.54/.100 GRID	
DRAFT WHERE APPLICABLE MUST REMAIN WITHIN DIMENSIONS			APPROVED BY SMILLER	DATE 2010/11/24	MATERIAL NO. SEE TABLE	
			DOCUMENT NO. SDA-70400-0841-0864		SHEET NO. 1 OF 1	
THIS DRAWING CONTAINS INFORMATION THAT IS PROPRIETARY TO MOLEX INCORPORATED AND SHOULD NOT BE USED WITHOUT WRITTEN PERMISSION						

OPTION G



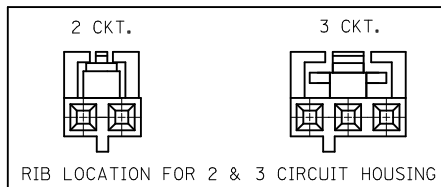
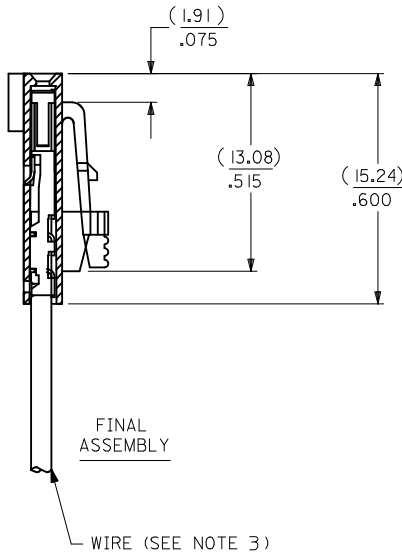
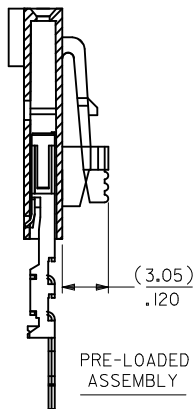
CIRCUIT NO. 1
SLOT OR ARROW



I.D. SLOT CODE TO WIRE GAUGE CHART	
I.D. SLOT CODE	WIRE GAUGE
B	26 AWG.

PLATING CODE (STRIPE ON CARRIER STRIP)	
PLATING	COLOR
15 GOLD	YELLOW

SECTION C-C



- NOTES:
1. MATERIAL:
HOUSING: POLYESTER(PBT), GLASS FILLED, UL94 V-0,
COLOR: BLACK
TERMINAL: PHOSPHOR BRONZE
2. FINISH:
15 GOLD: 0.38 MICROMETERS/15 MICROINCHES MINIMUM GOLD IN
1.91 MICROMETERS/75 MICROINCHES MINIMUM TIN
OVER NICKEL UNDERPLATE OVERALL
3. TO BE USED WITH 26 AWG STRANDED WIRE WITH (1.35)/.053
DIAMETER MAXIMUM INSULATION
4. SEE TABLE FOR AVAILABLE CIRCUIT SIZES
5. STANDARD PACKAGING PER PK-70873-0001. OPTIONAL PACKAGING
MAY BE AVAILABLE, REQUEST DRAWING PK-70400
6. PARTS STACKABLE END TO END ON (2.54)/.100 CENTERS
7. PRODUCT SPECIFICATION: PS-70400
8. SEE DRAWING SDA-70400-**** (SHEET 3) FOR OPTIONAL
HOUSING DETAILS
9. 4 CIRCUIT SHOWN. 3-25 CIRCUITS HAVE 2 RIBS
10. TO MATE WITH MOLEX PART NUMBERS: A-70373-****,
A-70375-****, A-70389-****, A-70391-****,
A-70107-****, A-70018-****, A-70543-****,
A-70553-****, A-70541-****, A-70551-****,
A-70545-****, A-70555-****
11. 2 CIRCUIT ASSEMBLIES SUPPLIED AS GROUPED PAIRS

CKT. SIZE	A	B	EDP. NO.
2	(2.54) .100	(5.05) .199	14-56-2024
3	(5.08) .200	(7.59) .299	14-56-2034
4	(7.62) .300	(10.13) .399	14-56-2044
5	(10.16) .400	(12.67) .499	14-56-2054
6	(12.70) .500	(15.21) .599	14-56-2064
7	(15.24) .600	(17.75) .699	14-56-2074
8	(17.78) .700	(20.29) .799	14-56-2084
9	(20.32) .800	(22.83) .899	14-56-2094
10	(22.86) .900	(25.37) .999	14-56-2104
11	(25.54) 1.000	(27.91) 1.099	14-56-2114
12	(27.94) 1.100	(30.45) 1.199	14-56-2124
13	(30.48) 1.200	(32.99) 1.299	14-56-2134
14	(33.02) 1.300	(35.53) 1.399	14-56-2144
15	(35.56) 1.400	(38.07) 1.499	14-56-2154
16	(38.01) 1.500	(40.61) 1.599	14-56-2164
17	(40.64) 1.600	(43.15) 1.699	14-56-2174
18	(43.18) 1.700	(45.69) 1.799	14-56-2184
19	(45.72) 1.800	(48.23) 1.899	14-56-2194
20	(48.26) 1.900	(50.77) 1.999	14-56-2204
21	(50.80) 2.000	(53.31) 2.099	14-56-2214
22	(53.34) 2.100	(55.85) 2.199	14-56-2224
23	(55.88) 2.200	(58.39) 2.299	14-56-2234
24	(58.42) 2.300	(60.93) 2.399	14-56-2244
25	(60.96) 2.400	(63.47) 2.499	14-56-2254

REMOVE ENG NO. EC NO: UCP2011-110 DRWIN:MSIBARRA 2010/10/19 CHKD:JMORGAN 2010/10/19 APPR:SMILLER 2010/11/24	QUALITY SYMBOLS ▽=0 ▽=0 ▽=0	GENERAL TOLERANCES (UNLESS SPECIFIED)	DIMENSION STYLE MM/IN	SCALE	DESIGN UNITS INCH	THIRD ANGLE PROJECTION
		4 PLACES ± --- ± --- 3 PLACES ± --- ± .010 2 PLACES ± 0.25 ± .014 1 PLACE ± 0.35 ± --- ANGULAR ± 1/2°	DRAWN BY MSIBARRA 2010/10/19 CHECKED BY WAZ 1984/10/10 APPROVED BY SMILLER 2010/11/24	TITLE ASSEMBLY, SL CONNECTOR SINGLE ROW 2.54/.100 GRID	MOLEX INCORPORATED	
DRAFT WHERE APPLICABLE MUST REMAIN WITHIN DIMENSIONS		SEE TABLE	THIS DRAWING CONTAINS INFORMATION THAT IS PROPRIETARY TO MOLEX INCORPORATED AND SHOULD NOT BE USED WITHOUT WRITTEN PERMISSION			