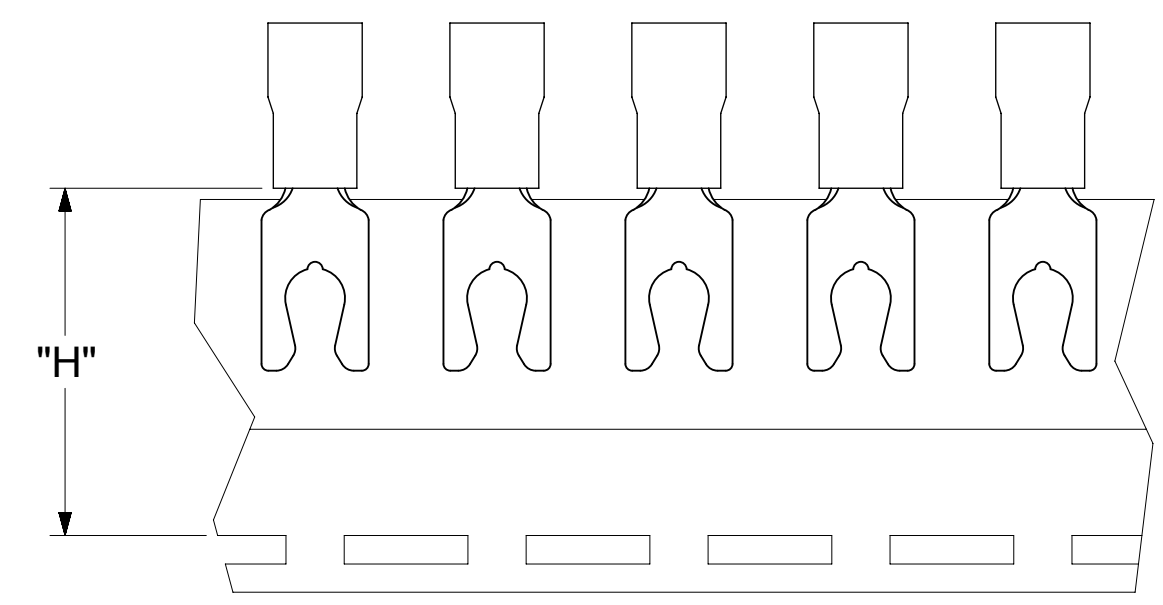
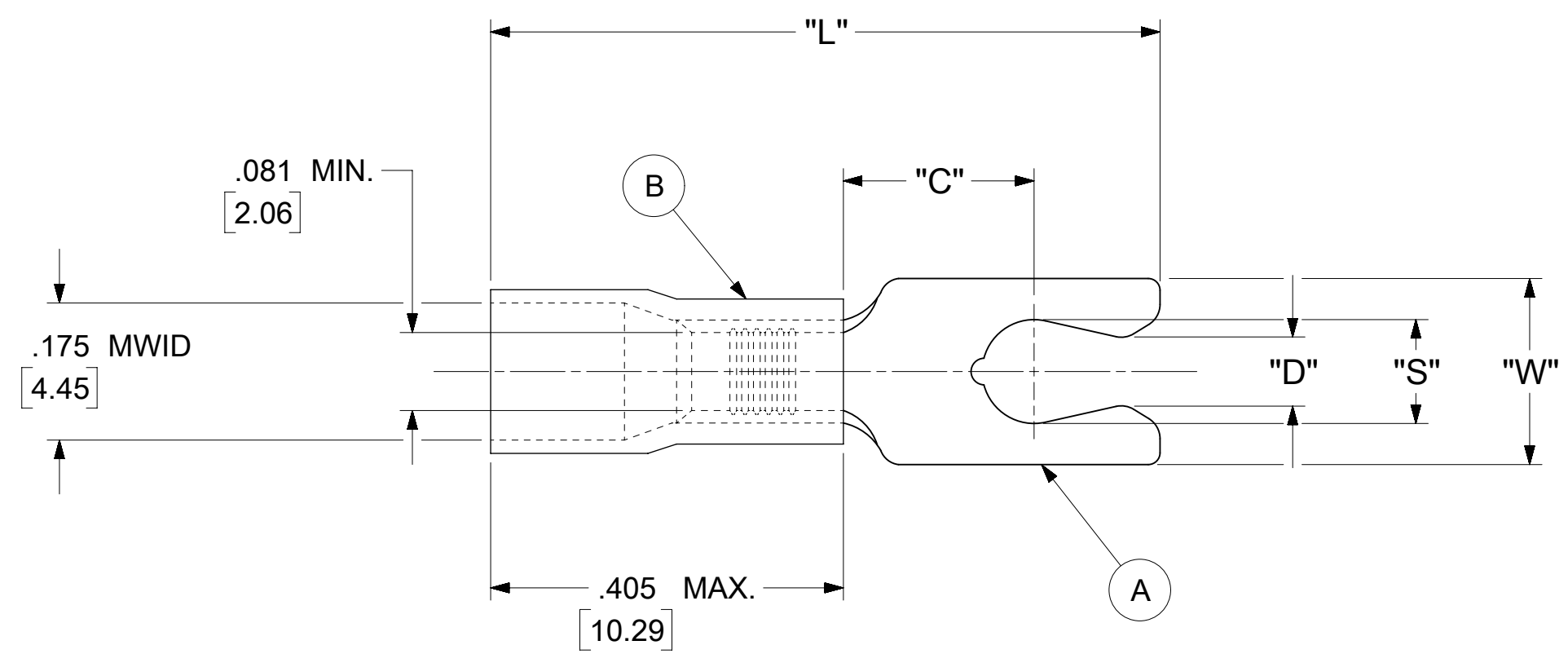


LOOSE PIECE		TAPE MOUNTED		SPECIFICATIONS						
MATERIAL NUMBER	ENGINEERING NUMBER	MATERIAL NUMBER	ENGINEERING NUMBER	STUD SIZE	"S" ±.005 [0.13]	"W" ±.010 [0.25]	"C" MIN.	"L" MAX.	"D" ±.005 [0.13]	"H"
190990025	BB-2707-05X	190990026	BB-2707-05XT	5	.127 [3.23]	.250 [6.35]	.230 [5.84]	.810 [20.57]	.105 [2.67]	.980 [24.89]
190990027	BB-2707-06X	190990028	BB-2707-06XT	6	.146 [3.71]	.250 [6.35]	.230 [5.84]	.810 [20.57]	.114 [2.90]	.980 [24.89]



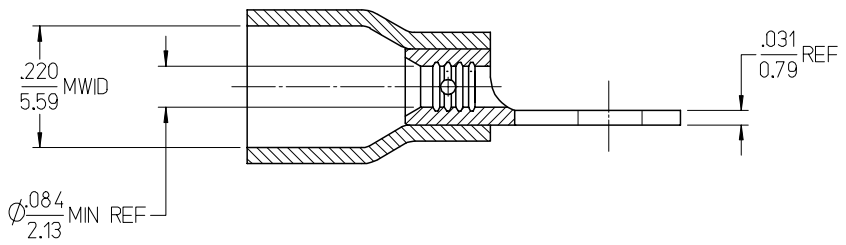
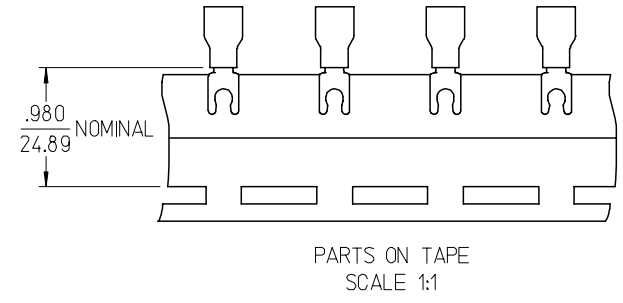
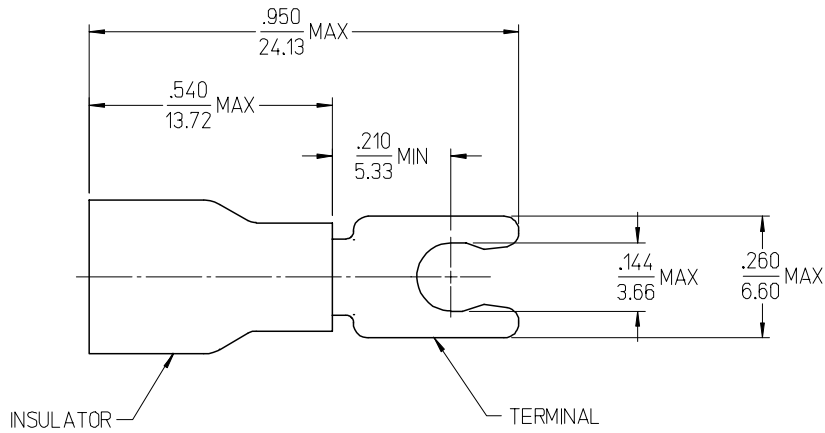
PARTS ON TAPE

NOTES:

- MATERIAL:
 - (A). TERMINAL: COPPER (STOCK THICKNESS .031±.001 [0.79])
PLATING: ELECTRO-TIN (.0003 MIN.)
 - (B). INSULATION: MOLDED PVC (BLUE)
- MWID: MAXIMUM WIRE INSULATION DIAMETER
- WIRE SIZE: 16 -14 AWG
1.0 -2.5 MM²
- "UL" LISTING #E32244
"CSA" LISTING #18689
- ALL DIMENSIONS IN INCHES/[MM].
- PARTS ARE ROHS COMPLIANT.
- DIMS. SHOWN ARE FOR REFERENCE ONLY.

SYMBOLS DIMENSION UNITS SCALE CURRENT REV DESC: MIGRATION TO ECTR/NX EC NO: 620958 DRWN: ABENJAMINLW 2019/07/16 CHK'D: GROJAS01 2019/07/19 APPR: JMACNEIL 2019/08/05 INITIAL REVISION: DRWN: JJ 1984/11/07 APPR: JMACNEIL 2019/08/05 THIRD ANGLE PROJECTION DRAWING SERIES C-SIZE 19099	THIS DRAWING CONTAINS INFORMATION THAT IS PROPRIETARY TO MOLEX ELECTRONIC TECHNOLOGIES, LLC AND SHOULD NOT BE USED WITHOUT WRITTEN PERMISSION			
	INCH/MM NTS		molex SNAP SPADE TONGUE TERMINAL INSULKRIMP 200 SERIES PRODUCT CUSTOMER DRAWING	
	GENERAL TOLERANCES (UNLESS SPECIFIED)			
	4 PLACES ± --- ± --- 3 PLACES ± --- ± 0.005 2 PLACES ± 0.13 ± 0.01 1 PLACE ± 0.25 ± --- 0 PLACES ± --- ± --- ANGULAR TOL ± 0.5 °	DOCUMENT NUMBER 190990025 MATERIAL NUMBER SEE TABLE		
DRAFT WHERE APPLICABLE MUST REMAIN WITHIN DIMENSIONS	THIRD ANGLE PROJECTION 	DOC TYPE PSD	DOC PART 000	REVISION A
DOCUMENT STATUS P1	RELEASE DATE 2019/08/05 20:30:06	MATERIAL NUMBER SEE TABLE	CUSTOMER GENERAL MARKET	SHEET NUMBER 1 OF 1

10	9	8	7	6	5	4	3	2	1	
MATERIAL NO. LOOSE PC	ENGINEERING NO. LOOSE PC	MATERIAL NO. ON TAPE	ENGINEERING NO. ON TAPE	WIRE SIZE	STUD SIZE	INSULATOR COLOR				
190990077	BB-2707-06XX	190990029	BB-2707-06XXT	16-14 AWG	6	BLUE				



- NOTES:
1. TERMINAL MATERIAL: COPPER
 2. TERMINAL FINISH: TIN PLATED
 3. INSULATOR MATERIAL: PVC
 4. MWID = MAXIMUM WIRE INSULATION DIAMETER.
 5. ASSEMBLY IS ROHS COMPLIANT.

INITIAL RELEASE
EC NO: ETC2007-0317
DRW: NEHLE 2007/03/14
CHKD: 2007/03/14
APPR: JMACNEIL 2007/03/15

REV	DESCRIPTION
A	

QUALITY SYMBOLS	
	=0
	=0
DRAFT WHERE APPLICABLE MUST REMAIN WITHIN DIMENSIONS	

GENERAL TOLERANCES (UNLESS SPECIFIED)	
	INCH
4 PLACES	± .005
3 PLACES	± .004
2 PLACES	± .003
1 PLACE	± .002
ANGULAR ± .005°	

DIMENSION STYLE IN/MM	SCALE 4:1	DESIGN UNITS INCH	THIRD ANGLE PROJECTION
DRAWN BY EHILE	DATE 2007/02/26	TITLE SNAP SPADE TERMINAL, 16-14 AWG, INSULKRIMP, EXPANDED	
CHECKED BY JMACNEIL	DATE 2007/02/26	APPROVED BY JMACNEIL	
MATERIAL NO. SEE CHART		DOCUMENT NO. SD-19099-002	SHEET NO. 1 OF 1
THIS DRAWING CONTAINS INFORMATION THAT IS PROPRIETARY TO MOLEX INCORPORATED AND SHOULD NOT BE USED WITHOUT WRITTEN PERMISSION			