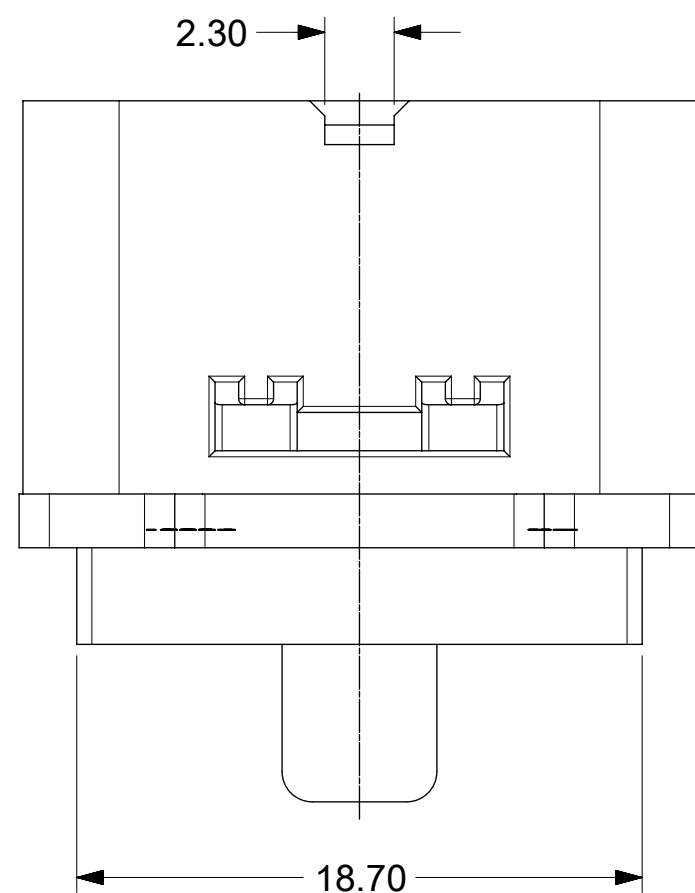
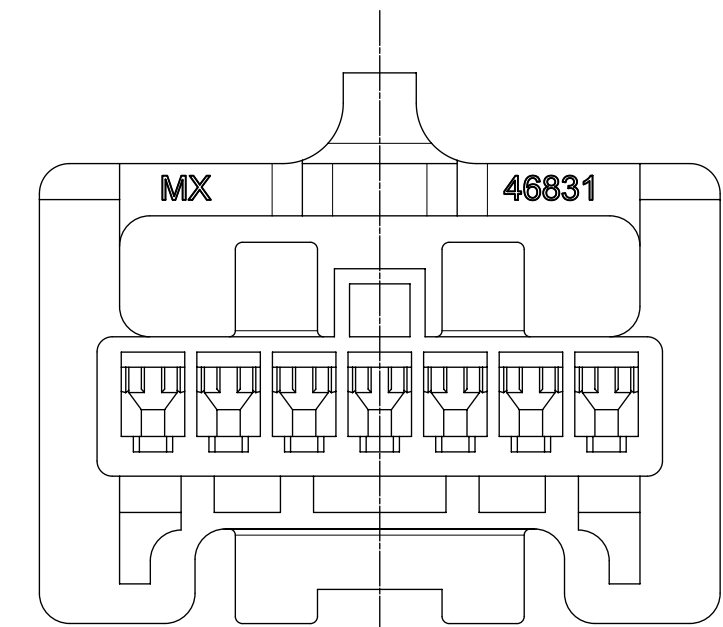
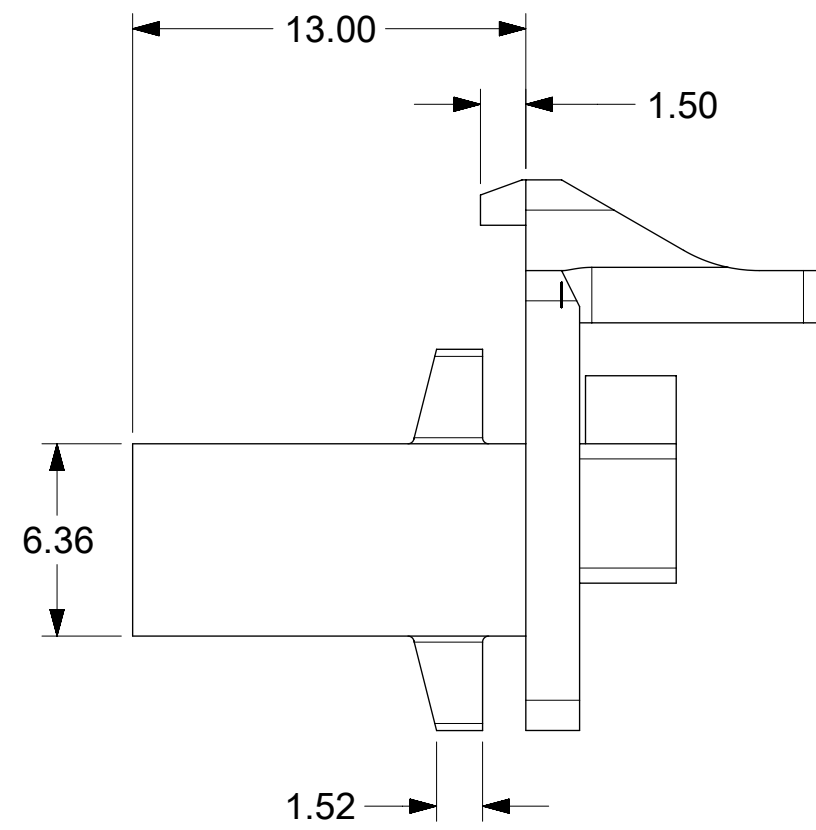
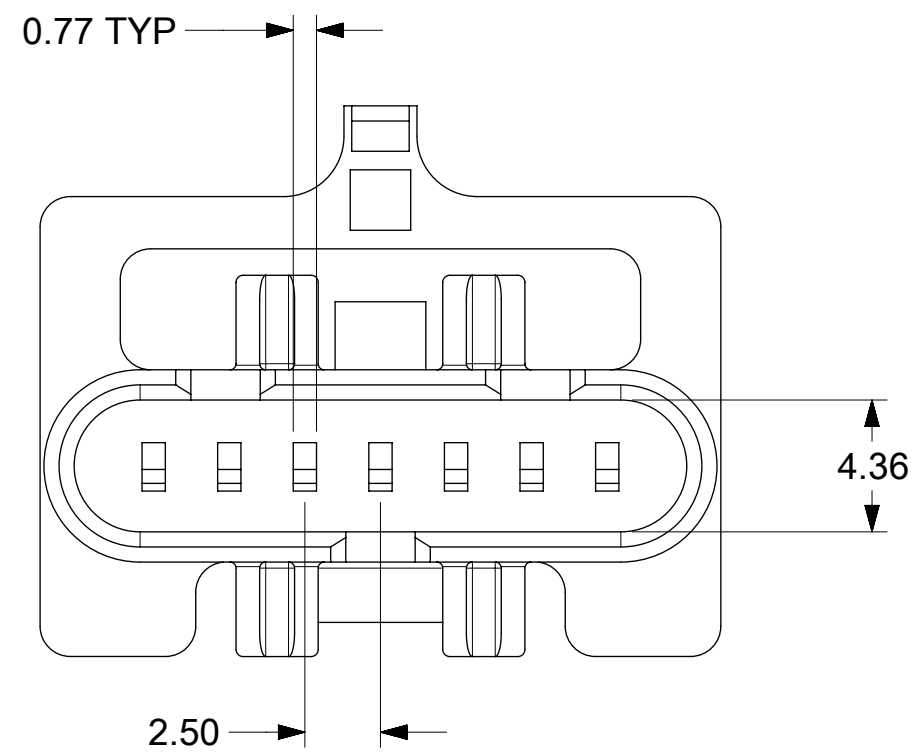
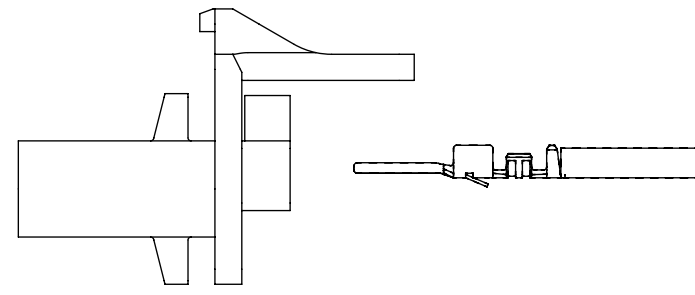
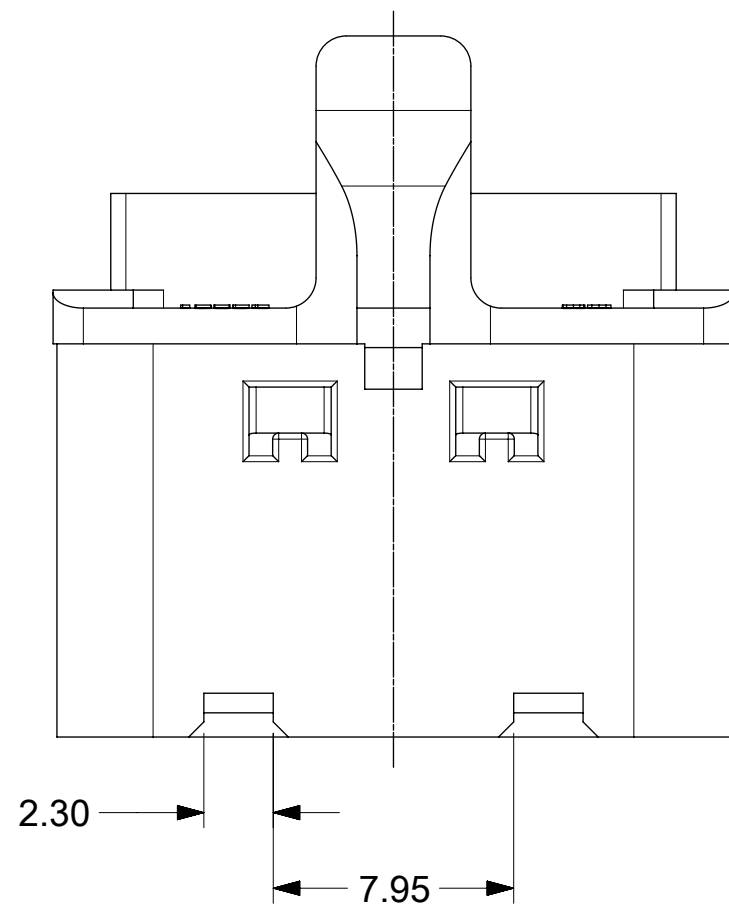


TERMINALS TO BE ORIENTED AND LOADED INTO THE HOUSING AS SHOWN BELOW

NOTES:

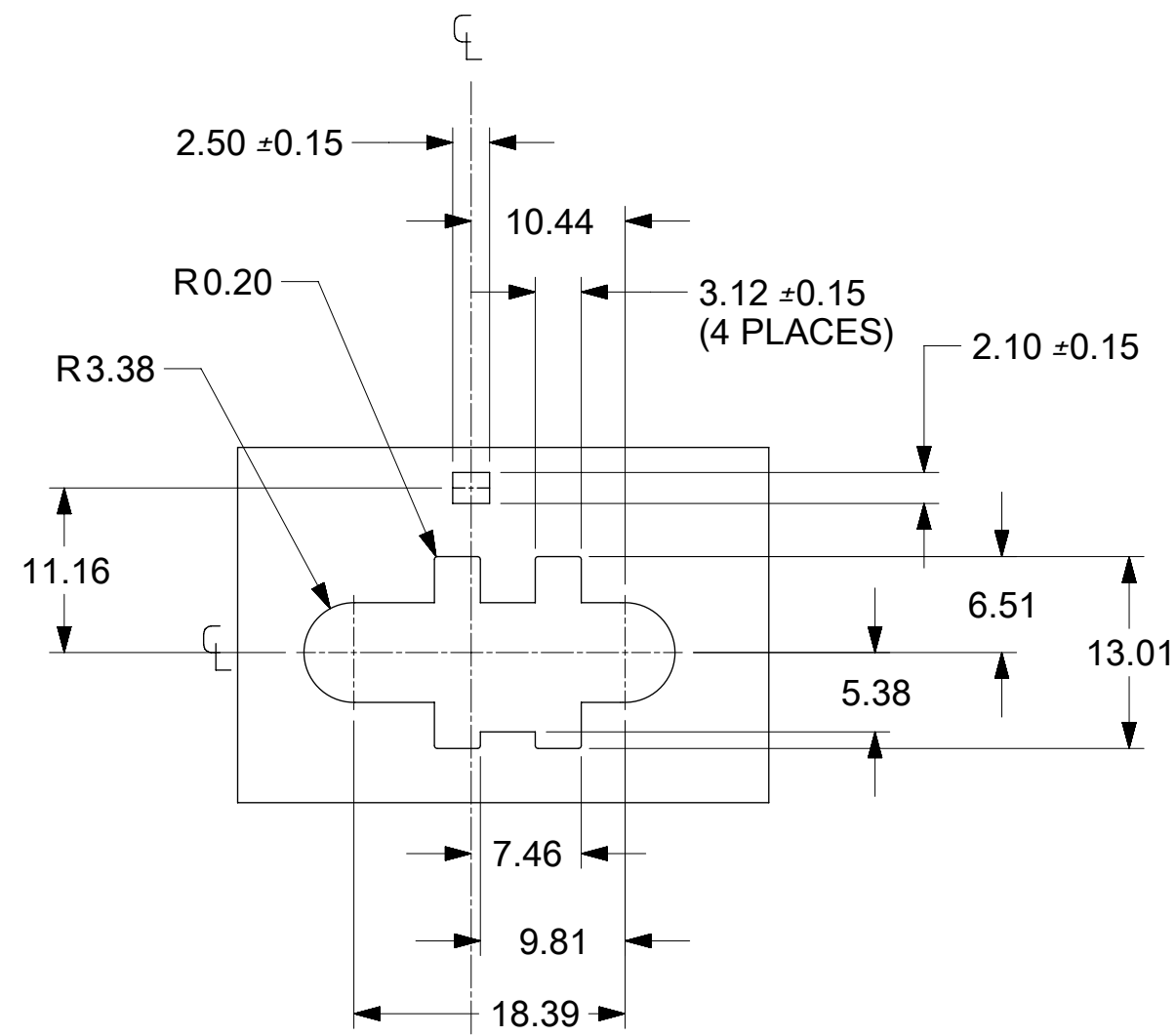
1. MATERIAL: HALOGEN-FREE PBT. COLOR: BLACK.
2. PRODUCT CONFORMS TO PRODUCT SPECIFICATION PS-45579-001.
3. USES MALE CRIMP TERMINALS SERIES 45627.
4. PART MATES WITH MOLEX RECEPTACLE 46528-0007.
5. PACKAGING: 2,500 PCS PER MOLEX SHIPPING CARTON 96707-0007.
6. SEE PAGE 2 OF 2 FOR PANEL CUTOUT DIMENSIONS AND THE ALLOWED PANEL TO PANEL MISALIGNMENT.
7. USE MOLEX EXTRACTION TOOL 63813-1400 TO REMOVE TERMINAL WITHOUT DAMAGING THE PLUG CORE. RELOAD PLUG CORE WITH NEW TERMINAL ONLY. REMOVED TERMINAL AFTER EXTRACTION IS NOT USABLE.



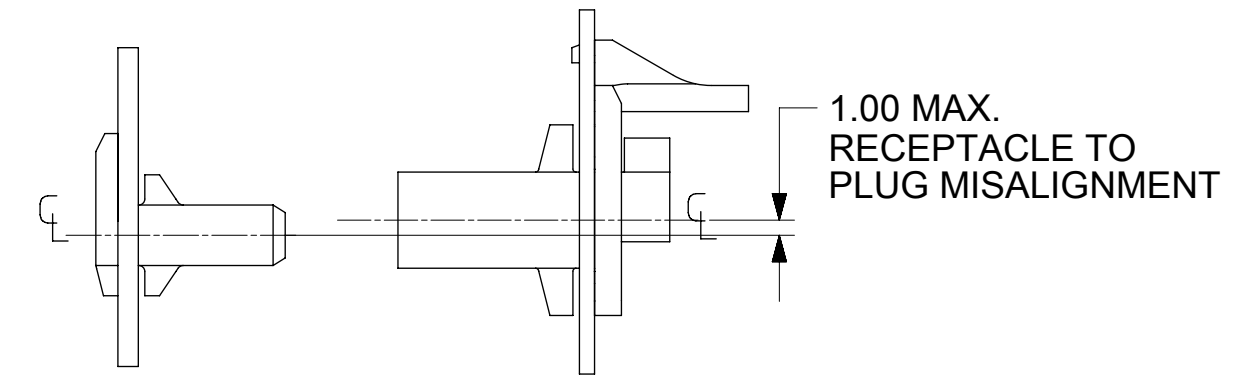
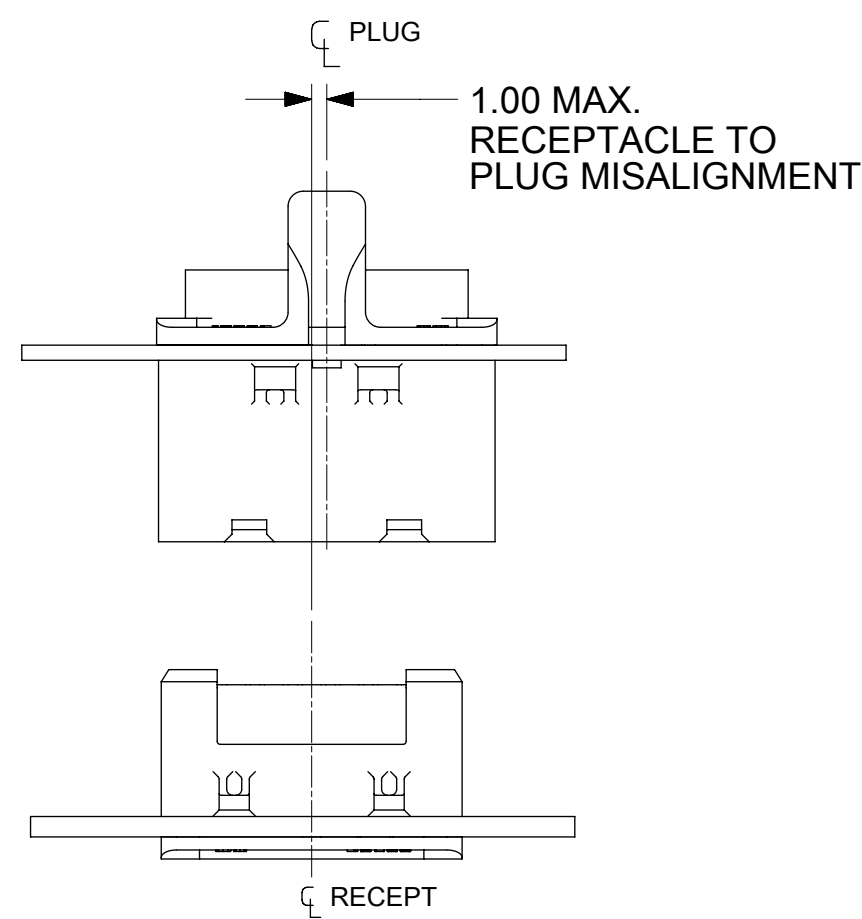
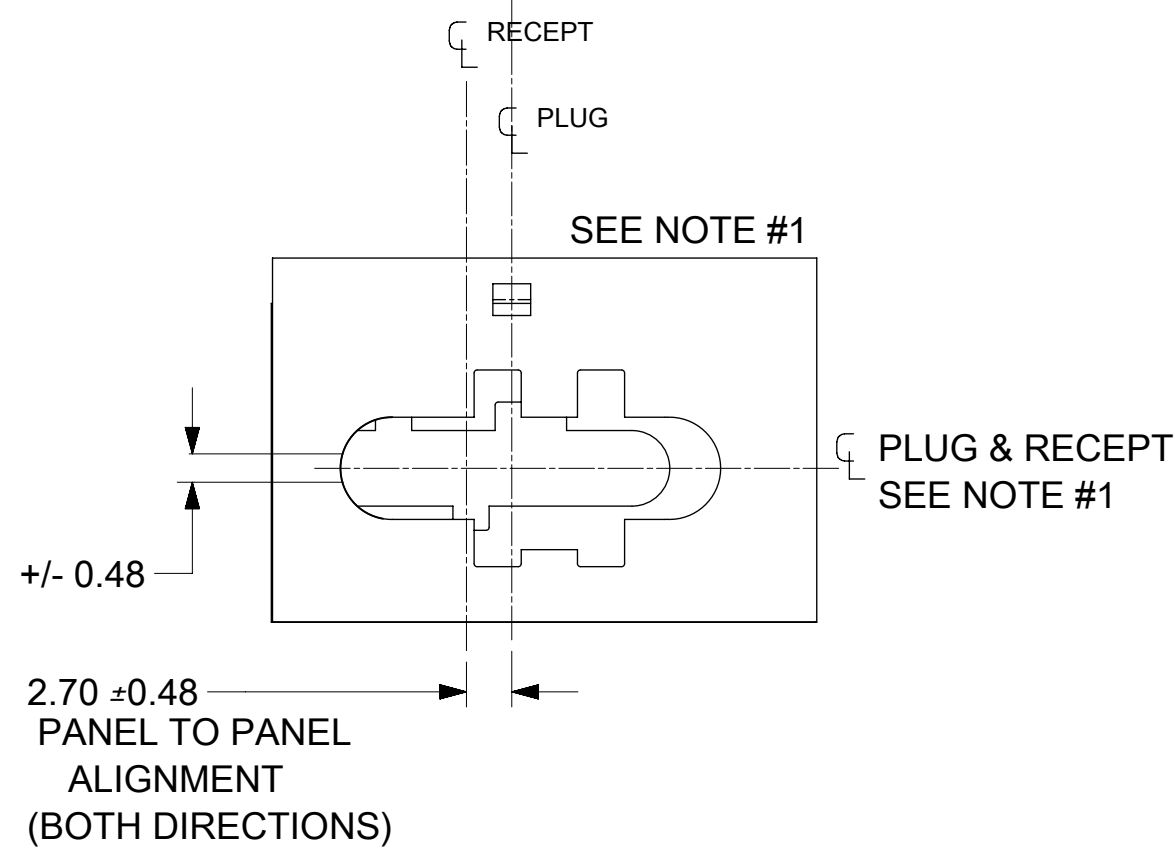
THIS DRAWING CONTAINS INFORMATION THAT IS PROPRIETARY TO MOLEX ELECTRONIC TECHNOLOGIES, LLC AND SHOULD NOT BE USED WITHOUT WRITTEN PERMISSION

DIMENSION UNITS		SCALE		CURRENT REV DESC:				molex			
MM		4:1									
GENERAL TOLERANCES (UNLESS SPECIFIED)				EC NO: 625546				SPOX BMI 1X7 PLUG HOUSING			
				DRWN: CMN 2017/08/12							
4 PLACES ±				CHK'D: ISHWARG 2019/10/18				PRODUCT CUSTOMER DRAWING			
3 PLACES ±				APPR: ISHWARG 2019/10/18							
2 PLACES ± 0.13				INITIAL REVISION:				DOCUMENT NUMBER			
1 PLACE ± 0.25				DRWN: DROSCA 2010/03/29							
0 PLACES ±				APPR: JCOMERCI 2010/10/29				SD-46831-002			
ANGULAR TOL ± 0.5 °				THIRD ANGLE PROJECTION				DOC TYPE			
DRAFT WHERE APPLICABLE MUST REMAIN WITHIN DIMENSIONS				DRAWING				DOC PART			
				C-SIZE				REVISION			
				SERIES				MATERIAL NUMBER			
				46831				CUSTOMER			
								GENERAL MARKET			
								SHEET NUMBER			
								1 OF 2			

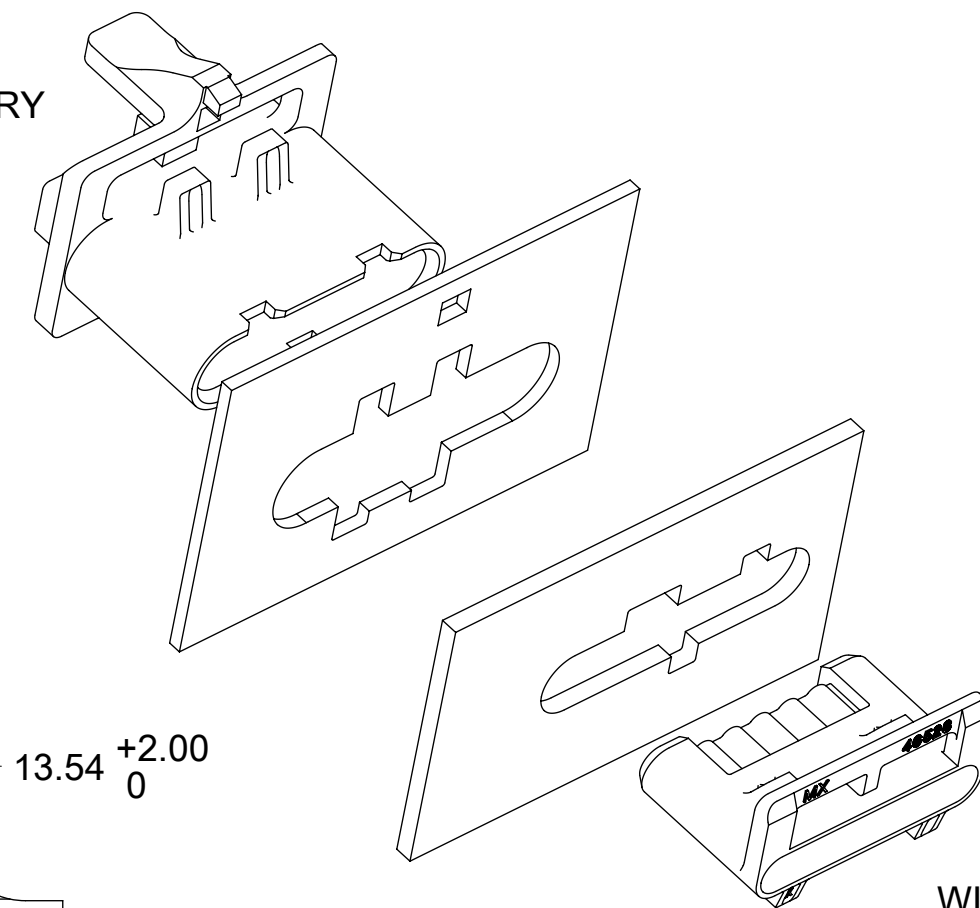
DOCUMENT STATUS	P1	RELEASE DATE	2019/10/18 08:26:00
-----------------	----	--------------	---------------------



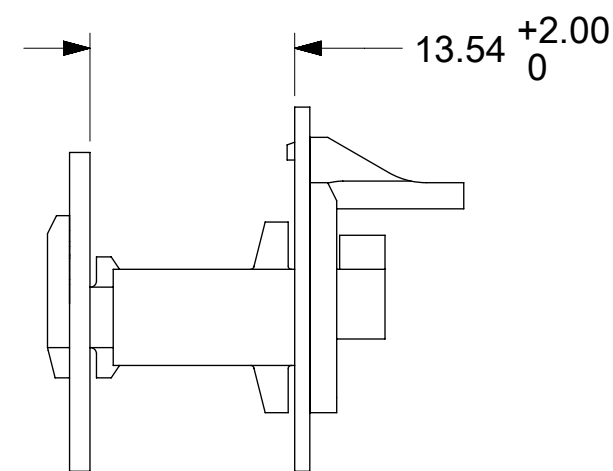
PANEL CUTOUT
WIRE ENTRY SIDE VIEW
PANEL THICKNESS 1.00mm +/-0.15



WIRE SIDE ENTRY



WIRE SIDE ENTRY



PANEL TO PANEL STACK HEIGHT

NOTES:

1. TO ALIGN 46831 PANEL CUTOUT WITH 46528 PANEL CUTOUT, ALIGN HORIZONTAL CENTERLINES AND KEEP 2.70MM BETWEEN VERTICAL CENTERLINES OF THE PANEL CUTOUT IN THE DRAWING SD-46528-077.
2. TERMINALS MUST BE ALLOWED TO FLOAT FREELY WITHIN EACH CORE DO NOT TIE WIRES TOGETHER TIGHTLY, ALLOW WIRE TO MOVE.

THIS DRAWING CONTAINS INFORMATION THAT IS PROPRIETARY TO MOLEX ELECTRONIC TECHNOLOGIES, LLC AND SHOULD NOT BE USED WITHOUT WRITTEN PERMISSION

DIMENSION UNITS		SCALE		CURRENT REV DESC:							
MM		2:1									
GENERAL TOLERANCES (UNLESS SPECIFIED)				EC NO: 625546				SPOX BMI 1X7 PLUG HOUSING PRODUCT CUSTOMER DRAWING DOCUMENT NUMBER: SD-46831-002 DOC TYPE: PSD DOC PART: 001 REVISION: B MATERIAL NUMBER: 468310002 CUSTOMER: GENERAL MARKET SHEET NUMBER: 2 OF 2			
4 PLACES	±		±	DRWN: CMN 2017/08/12							
3 PLACES	±		±	CHK'D: ISHWARG 2019/10/18							
2 PLACES	±	0.13	±	APPR: ISHWARG 2019/10/18							
1 PLACE	±	0.25	±	INITIAL REVISION:							
0 PLACES	±		±	DRWN: DROSCA 2010/03/29							
ANGULAR TOL ± 0.5°				APPR: JCOMERCI 2010/10/29							
DRAFT WHERE APPLICABLE MUST REMAIN WITHIN DIMENSIONS				THIRD ANGLE PROJECTION		DRAWING		SERIES			
						C-SIZE		46831			