

MATERIALS AND FINISHES

BODY, JAM NUT BRASS
PLATED GOLD

CENTER CONTACT BERYLLIUM COPPER
PLATED GOLD

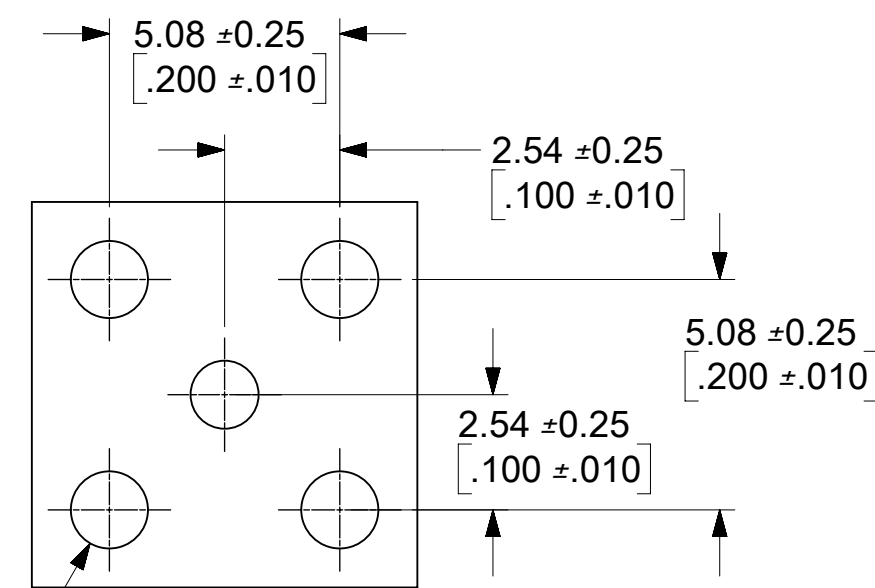
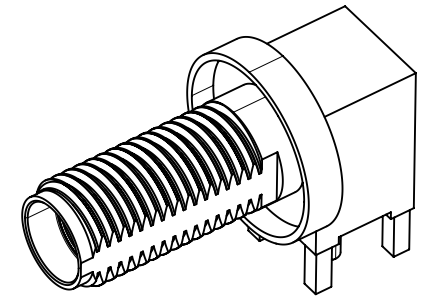
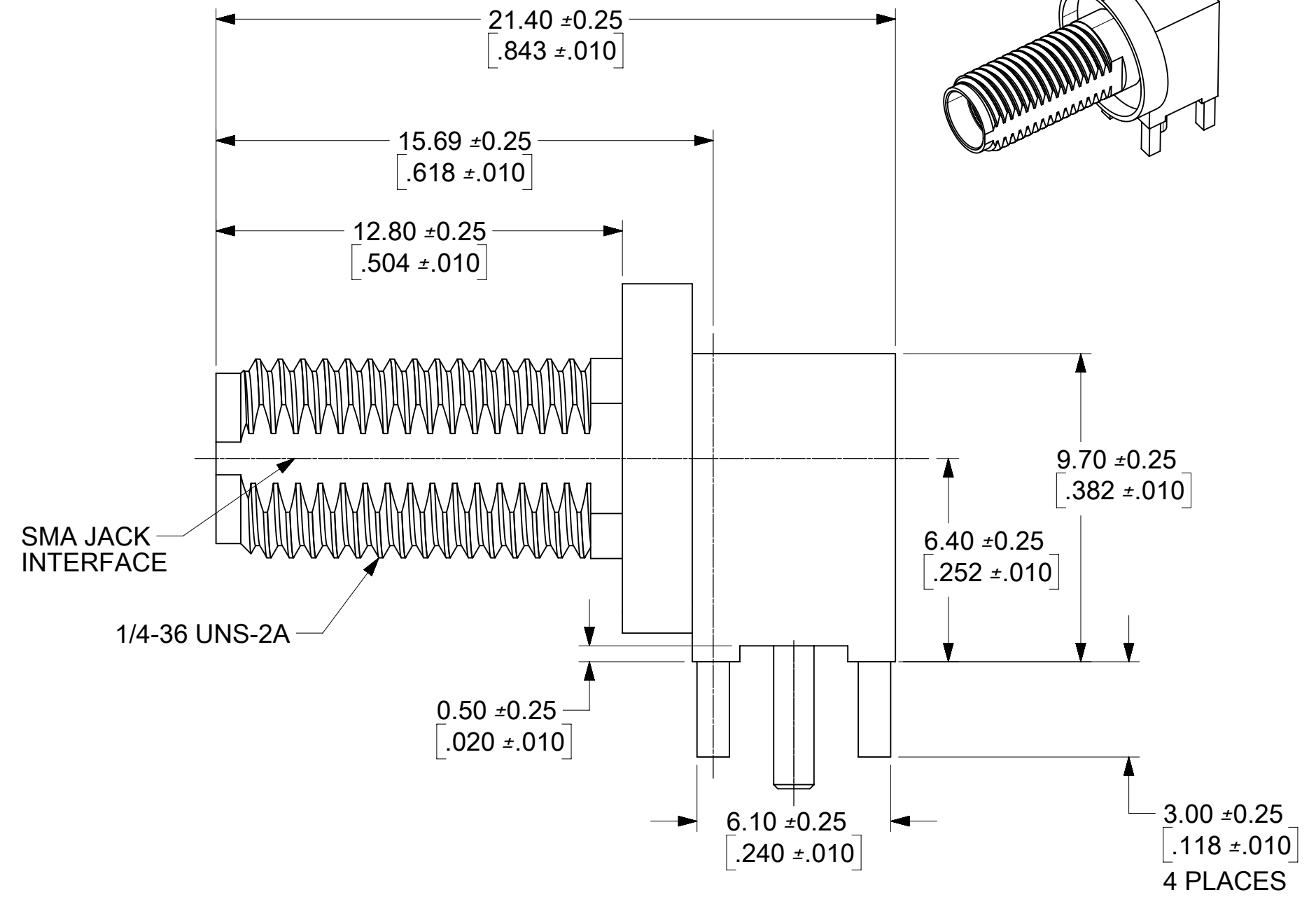
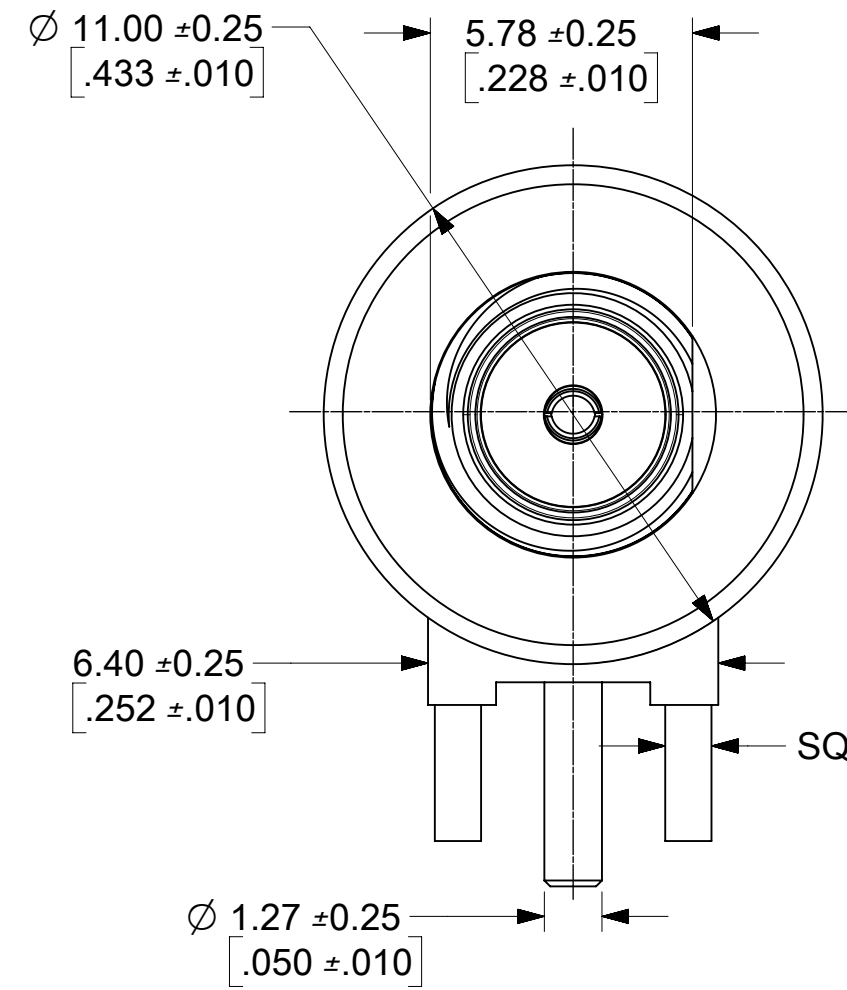
INSULATOR TEFLON

GASKET SILICONE RUBBER

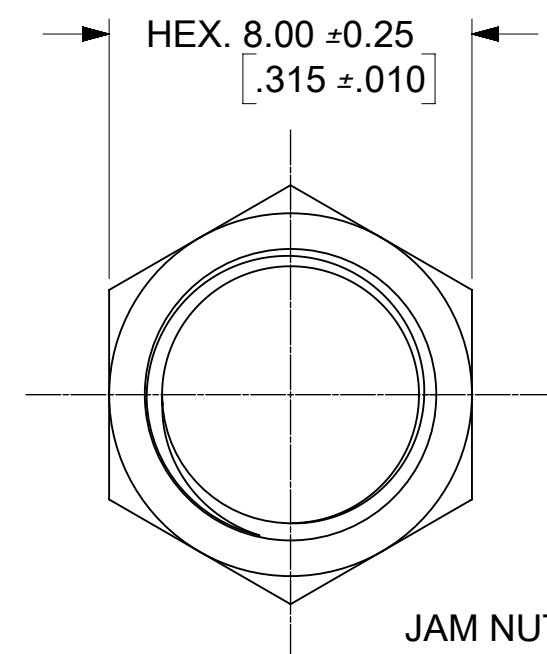
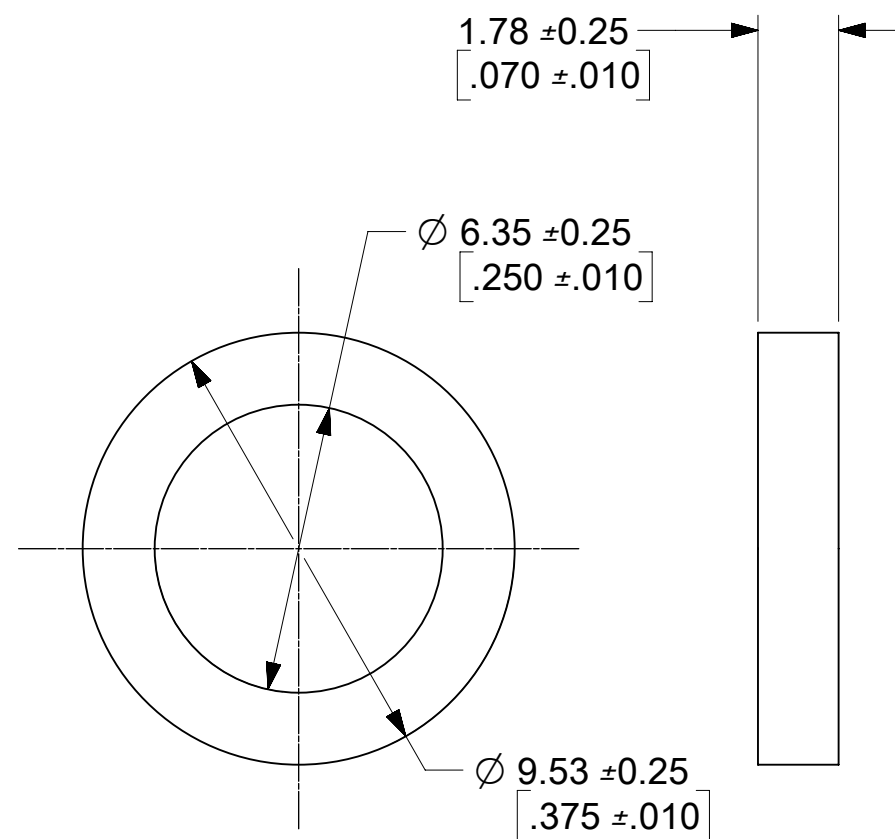
LOCKWASHER PHOSPHOR BRONZE
PLATING GOLD

NOTES:

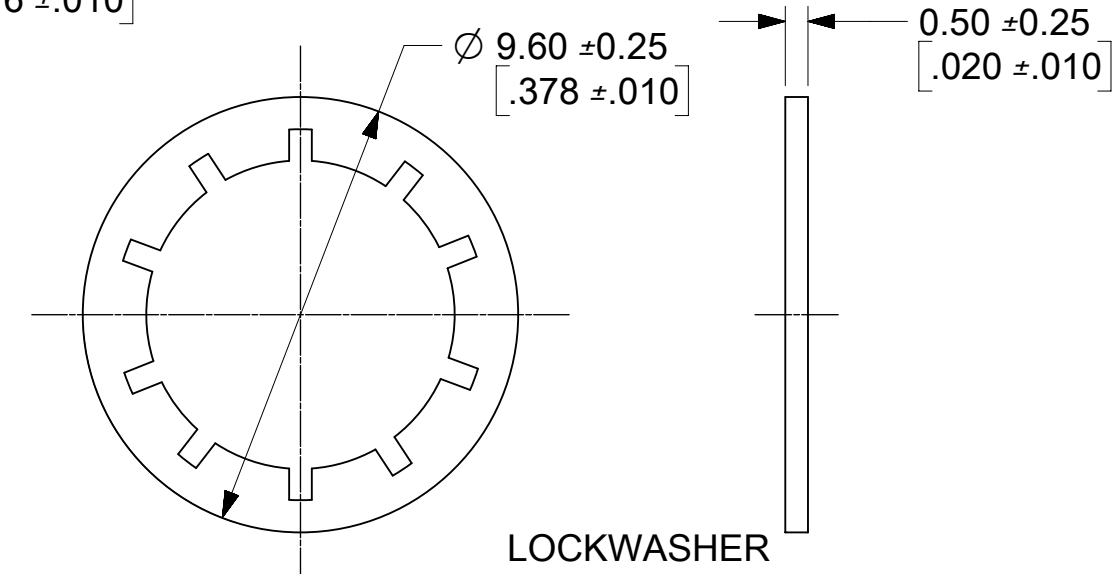
1. FREQUENCY RANGE 0~12.4GHZ
2. THE CONNECTOR MEET 48 HOURS SALT SPRAY.
3. THE CONNECTOR IS ROHS COMPLIANT PART



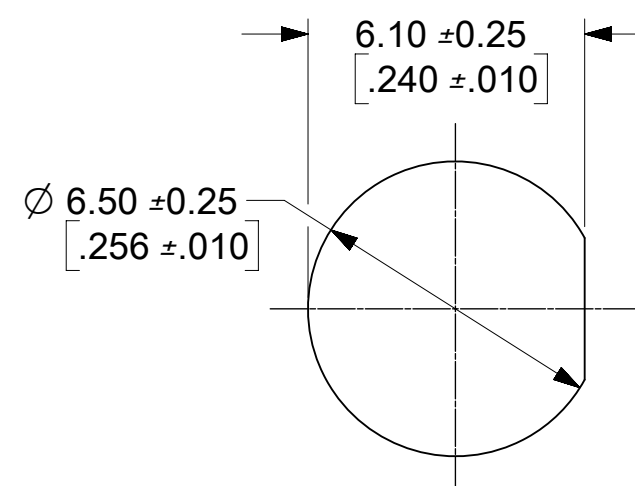
RECOMMENDED PCB HOLE CONFIGURATION



JAM NUT



LOCKWASHER



RECOMMENDED PCB HOLE CONFIGURATION

PS-89675-3460	PRODUCT SPEC.
SPECIFICATION	DESCRIPTION

SYMBOLS		THIS DRAWING CONTAINS INFORMATION THAT IS PROPRIETARY TO MOLEX ELECTRONIC TECHNOLOGIES, LLC AND SHOULD NOT BE USED WITHOUT WRITTEN PERMISSION	
▽ = 0	DIMENSION UNITS	SCALE	CURRENT REV DESC: MIGRATED TO NX
▽ = 0	HYBRID		
▽ = 0	GENERAL TOLERANCES (UNLESS SPECIFIED)		
▽ = 0	ANGULAR TOL	± 2.0°	
▽ = 0	4 PLACES	±	EC NO: 175545
▽ = 0	3 PLACES	±	DRWN: SMAHESHBABU 2018/03/26
▽ = 0	2 PLACES	±	CHK'D: CWEI02 2018/04/25
▽ = 0	1 PLACE	±	APPR: YCHENG 2018/04/26
▽ = 0	0 PLACES	±	INITIAL REVISION:
▽ = 0	DRAFT WHERE APPLICABLE MUST REMAIN WITHIN DIMENSIONS		DRWN: ELIN 2010/03/03
▽ = 0	THIRD ANGLE PROJECTION		APPR: MHUANG 2010/03/13
▽ = 0	DRAWING		SERIES
▽ = 0	C-SIZE		73251
DOCUMENT STATUS		DOCUMENT NUMBER	DOC TYPE DOC PART REVISION
P1	RELEASE DATE 2018/04/26 01:26:11	SD-73251-523	PSD 001 A1
MATERIAL NUMBER		CUSTOMER	SHEET NUMBER
732515230		GENERAL MARKET	1 OF 1

molex

SMA JACK R/A PCB
FOR IP66 SMA-J/RA PCB

PRODUCT CUSTOMER DRAWING