

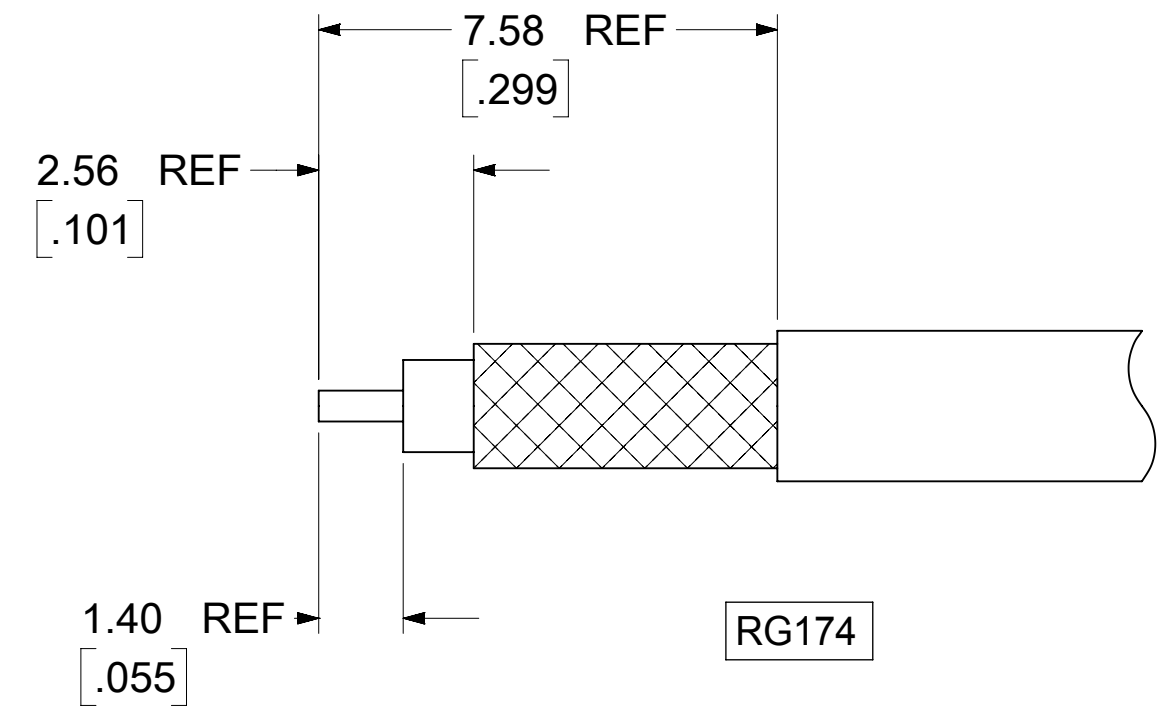
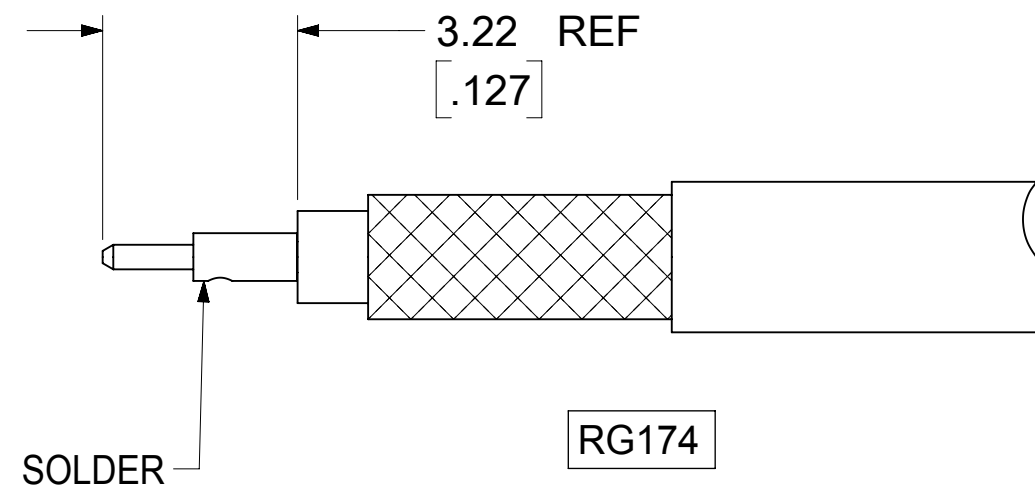
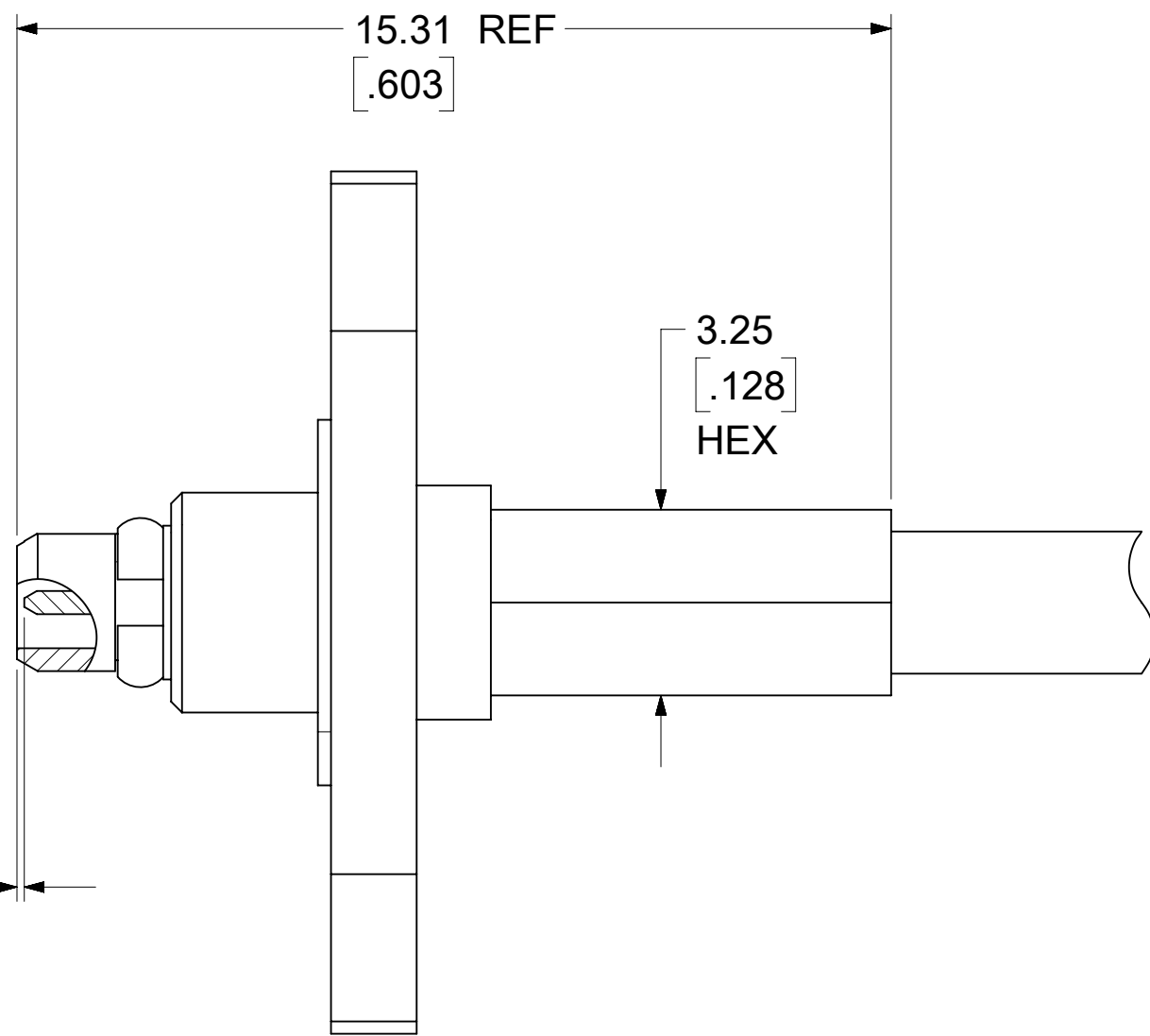
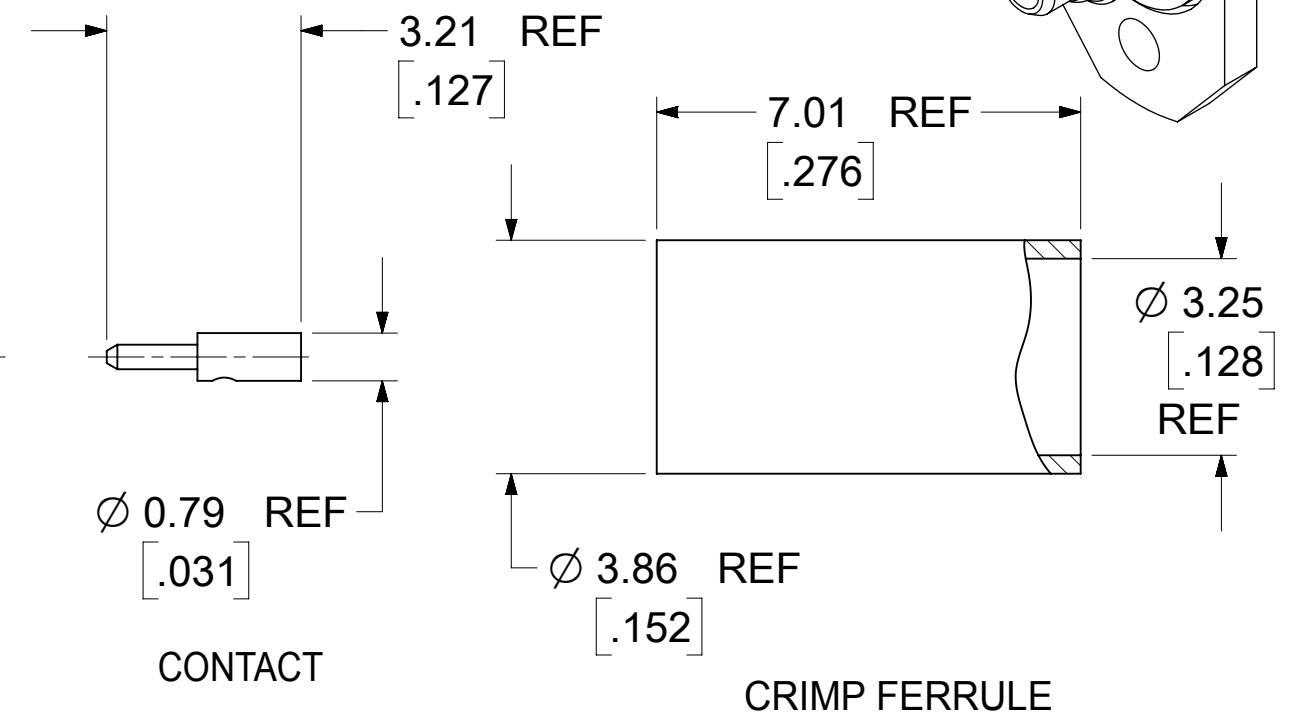
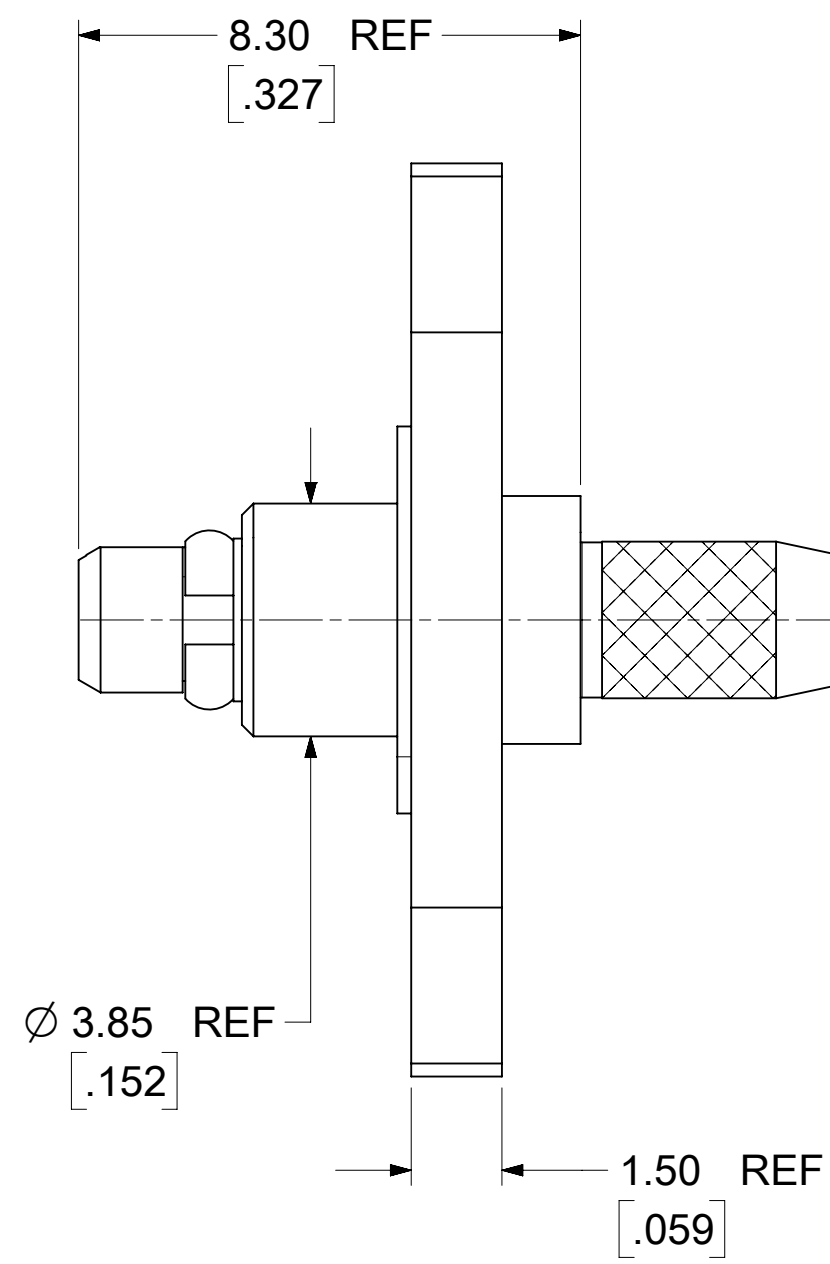
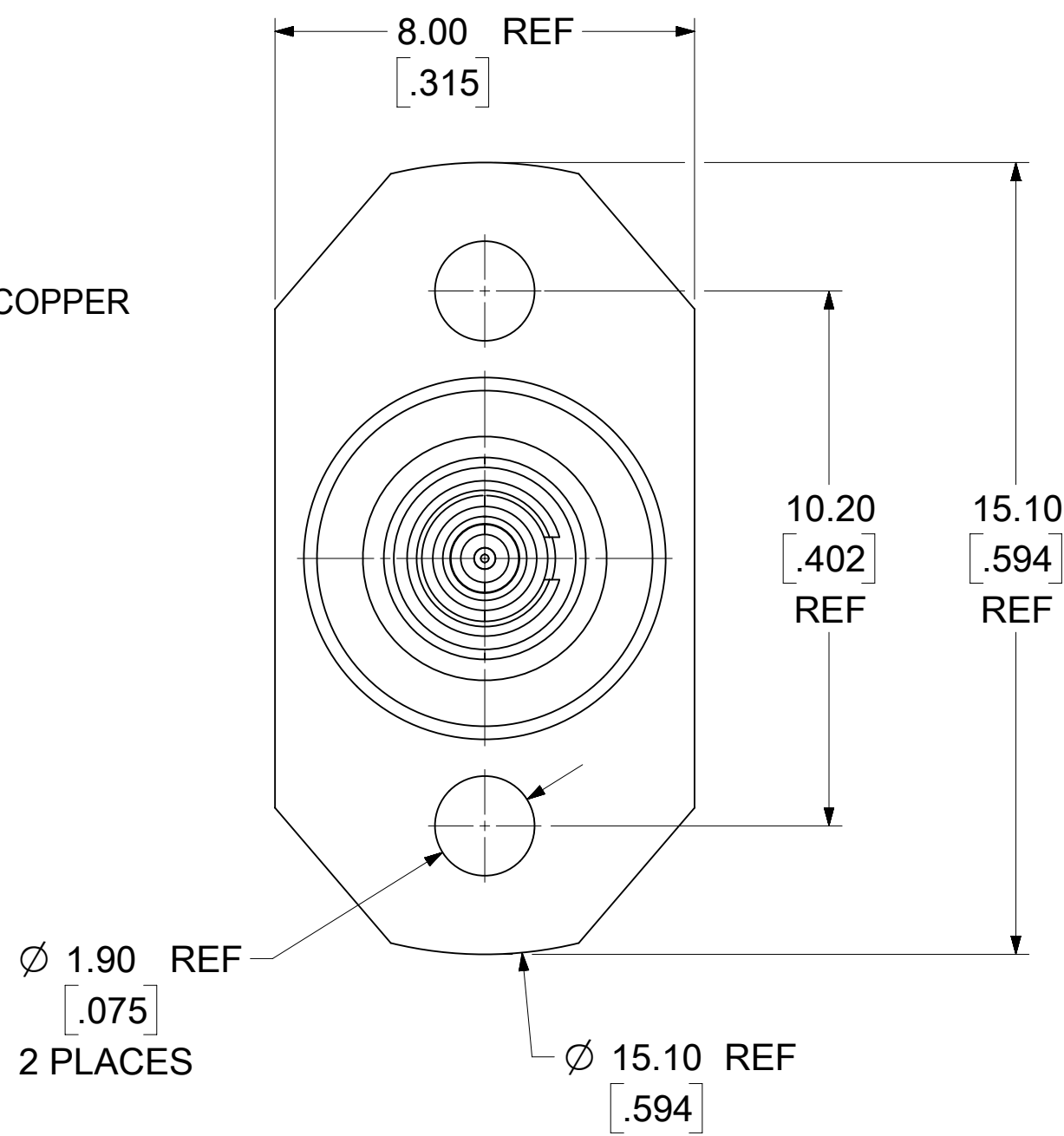
MATERIALS AND FINISHES

BODY BRASS  
PLATED GOLD

CENTER CONTACT BERYLLIUM COPPER  
PLATED GOLD

INSULATOR TEFLON

GASKET SILICONE RUBBER



CECC-22-340	INTERFACE
PS-89675-1920	ELECTRO/MECH PERFORM.
SPECIFICATION	DESCRIPTION

FUNCTIONAL SYMBOLS	THIS DRAWING CONTAINS INFORMATION THAT IS PROPRIETARY TO MOLEX ELECTRONIC TECHNOLOGIES, LLC AND SHOULD NOT BE USED WITHOUT WRITTEN PERMISSION		CURRENT REV DESC:		<b>molex</b>		
	DIMENSION UNITS	SCALE	ADDED FRONT VIEW AND DIMENSION				
$\frac{F}{A} = 0$	MM/INCH	NTS	EC NO: 659575		MMCX PLUG STRAIGHT FOR RG174/316 CABLE MMCX-P		
$\frac{F}{C} = 0$	GENERAL TOLERANCES (UNLESS SPECIFIED)		DRWN: JSU18 2021/03/26				
$\frac{F}{P} = 0$	ANGULAR TOL ± 2.0°		CHK'D: YCHENG 2021/03/30				
DIVISIONAL SYMBOLS	4 PLACES	±	APPR: YCHENG 2021/03/30		PRODUCT CUSTOMER DRAWING		
	3 PLACES	±	INITIAL REVISION:				
	2 PLACES	±	DRWN: ELIN 2014/08/18				
1 PLACE	±	APPR: YCHENG 2014/09/18		DOCUMENT NUMBER	DOC TYPE	DOC PART	REVISION
0 PLACES	±	DRAFT WHERE APPLICABLE MUST REMAIN WITHIN DIMENSIONS		SD-73414-070	PSD	001	A1
THIRD ANGLE PROJECTION		DRAWING	SERIES	MATERIAL NUMBER	CUSTOMER	SHEET NUMBER	
		C-SIZE	73414	GENERAL MARKET	1 OF 1		