

NOTES

1. MATERIAL:

EMI GASKET: CONDUCTIVE ELASTOMER  
 CAGE: NICKEL SILVER, THICKNESS: 0.25mm  
 CONNECTOR HOUSING: GLASS FILLED LIQUID CRYSTAL POLYMER (LCP), UL 94V-0, COLOR: BLACK  
 OVERMOLD TERMINAL HOUSING: GLASS FILLED LIQUID CRYSTAL POLYMER (LCP), UL 94V-0, COLOR: BLACK  
 TERMINALS: TIN BRASS

2. FINISHES:

TERMINALS: CONTACT AREA: 0.76 MICROMETERS MINIMUM HARD GOLD OVER 1.27 MICROMETERS MINIMUM NICKEL.  
 COMPLIANT TAIL - MATTE TIN/LEAD OPTION: 0.76 TO 1.52 MICROMETERS 90/10 MATTE TIN-LEAD OVER 0.76 MICROMETERS MINIMUM NICKEL.  
 COMPLIANT TAIL - MATTE TIN OPTION: 0.76 TO 1.52 MICROMETERS MATTE TIN OVER 0.76 MICROMETERS MINIMUM NICKEL.

3. REFER TO PS-75310-001 PRODUCT SPEC FOR ALL ELECTRICAL, MECHANICAL, AND ENVIRONMENTAL SPECIFICATIONS.

4. REFER TO PK-75462-001 FOR ALL PACKAGING SPECIFICATIONS.

5. ALL EXTERIOR SURFACES TO BE CLASS "B" SURFACE EXCEPT THE UNDER SIDE OF THE CAGE WHERE THE PCB WOULD BE LOCATED AND AS NOTED. THE SURFACES TO CONFORM TO THE MOLEX COSMETIC DOC PS-45499-002.

6. REFER TO AS-76090-001 FOR HIGH SPEED ROUTING RECOMMENDATIONS.

7. DATE CODE LOCATION IS SHOWN ABOVE.

DATE CODE FORMAT: DDDY MX A1

DDD = DAY OF THE YEAR

Y = YEAR

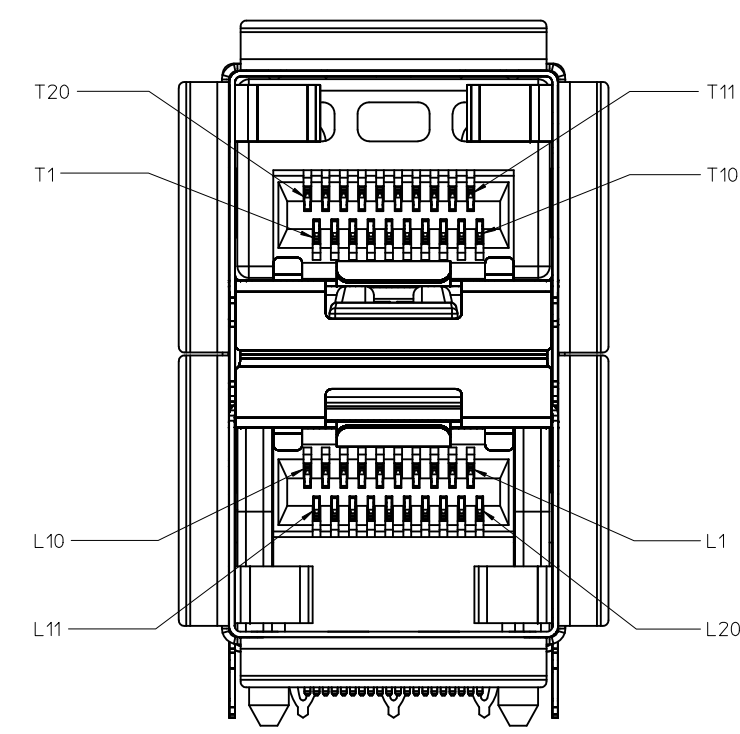
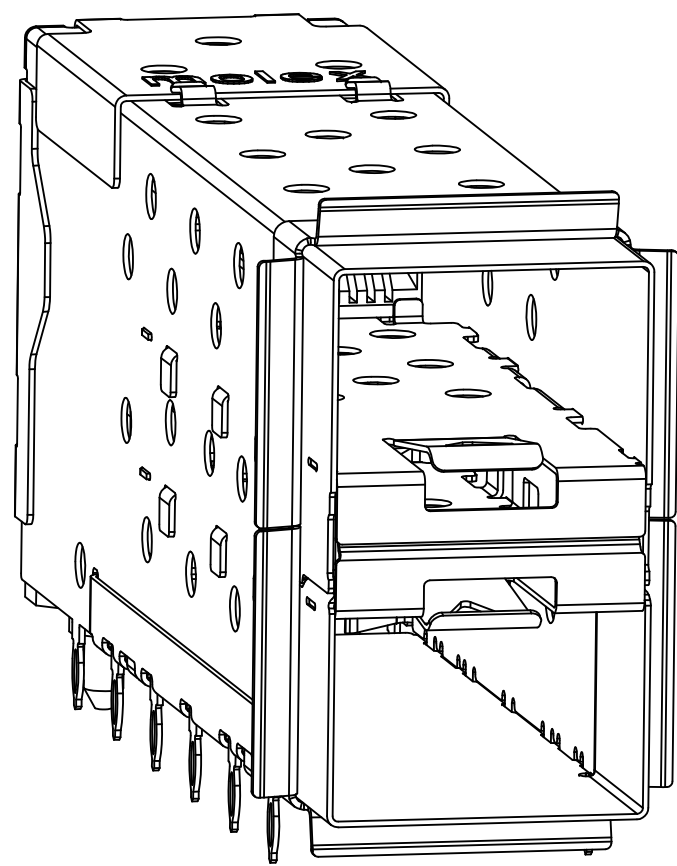
MX = MOLEX

A = ALPHA CHARACTER - INDICATES MANUFACTURING LINE

1 = NUMERIC CHARACTER - INDICATES PRODUCTION SHIFT

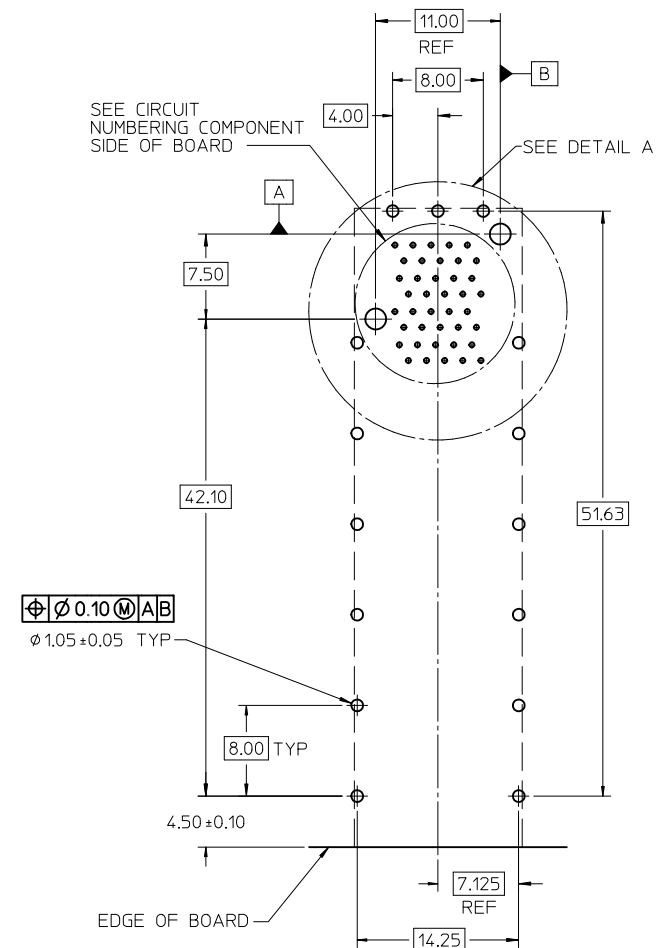
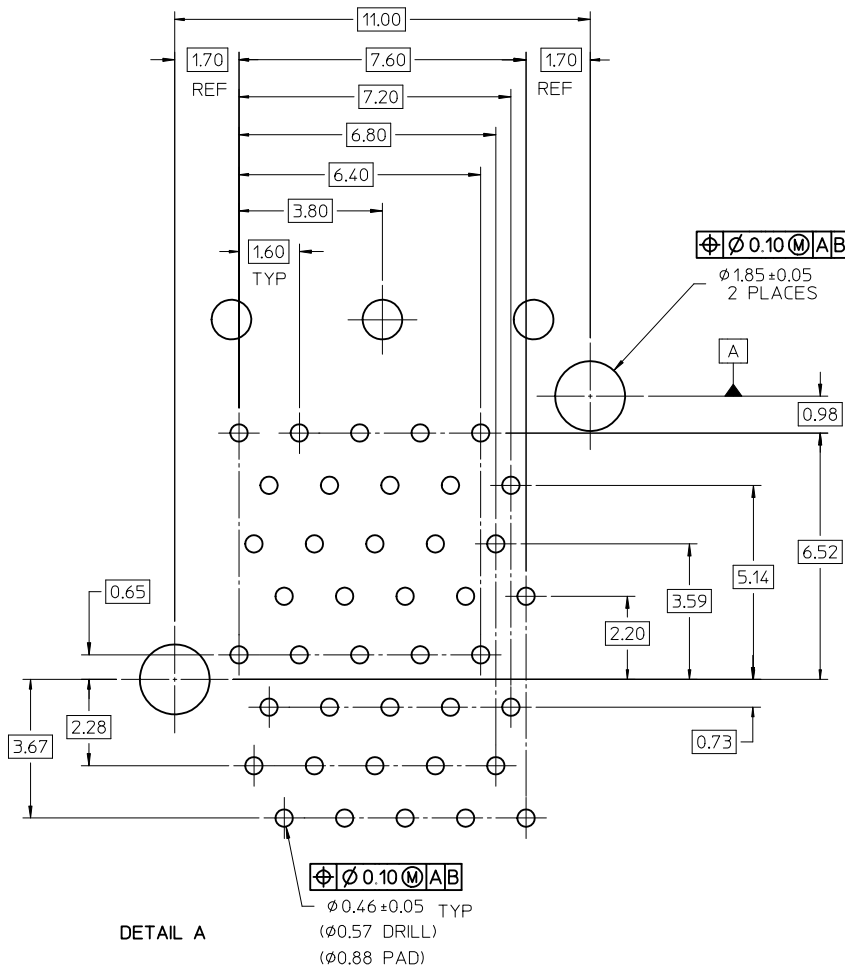
PART NUMBER	COMPLIANT TAIL PLATING
761000001	MATTE TIN / LEAD
761005001	MATTE TIN

<b>ADD NOTE 6 &amp; 7</b> EC NO: UCP2011-2594 DRWN: MWOLFE 2011/02/28 CHKD: BBARKER 2011/02/28 APPR: SMILLER 2011/09/20	QUALITY SYMBOLS 	GENERAL TOLERANCES (UNLESS SPECIFIED)		DIMENSION STYLE <b>MM ONLY</b>	SCALE <b>3:1</b>	DESIGN UNITS <b>METRIC</b>	THIRD ANGLE PROJECTION	
		m/m INCH	DRAWN BY JJANTELEZ10	DATE 01-18-2007	TITLE <b>STACKED SFP+ 2X1 ASS'Y WITH ELASTOMERIC GASKET</b>	MATERIAL NO. <b>SEE TABLE</b>	DOCUMENT NO. <b>SD-76100-001</b>	SHEET NO. <b>1 OF 4</b>
		4 PLACES ± --- ± --- 3 PLACES ± --- ± --- 2 PLACES ± 0.13 ± --- 1 PLACE ± 0.25 ± --- ANGULAR ± 5 °	CHECKED BY MSANDBERG	DATE 01-18-2007	APPROVED BY <b>MOLEX INCORPORATED</b>	THIS DRAWING CONTAINS INFORMATION THAT IS PROPRIETARY TO MOLEX INCORPORATED AND SHOULD NOT BE USED WITHOUT WRITTEN PERMISSION	MOLEX INCORPORATED	MOLEX INCORPORATED
		DRAFT WHERE APPLICABLE MUST REMAIN WITHIN DIMENSIONS	APPROVED BY RNELSON	DATE 01-18-2007	MOLEX INCORPORATED	MOLEX INCORPORATED	MOLEX INCORPORATED	MOLEX INCORPORATED

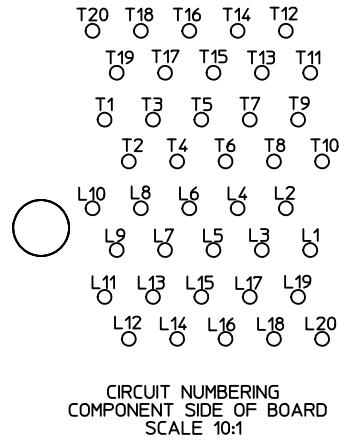


CIRCUIT NUMBERING

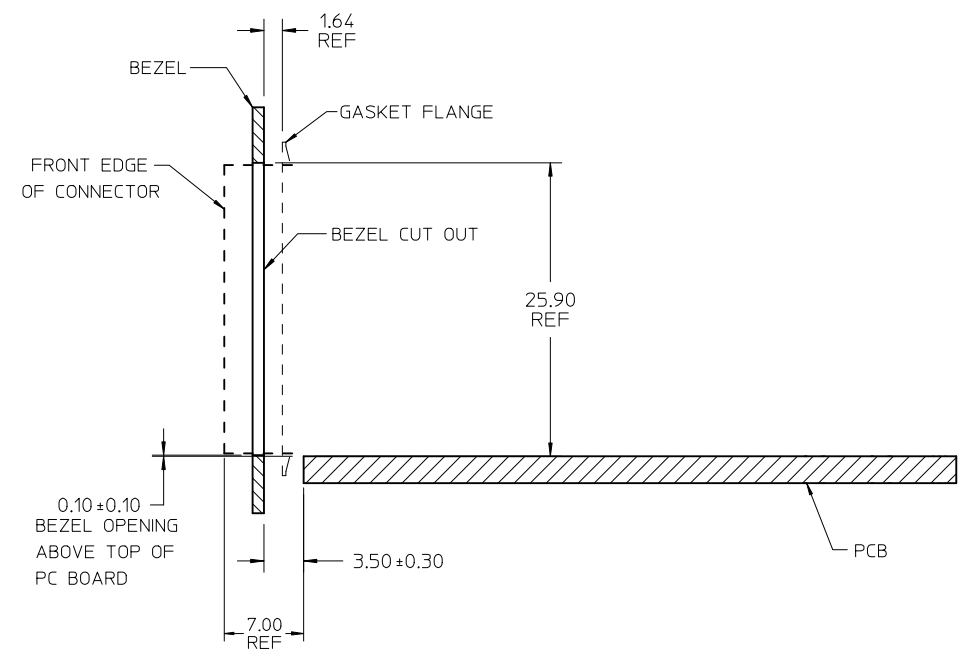
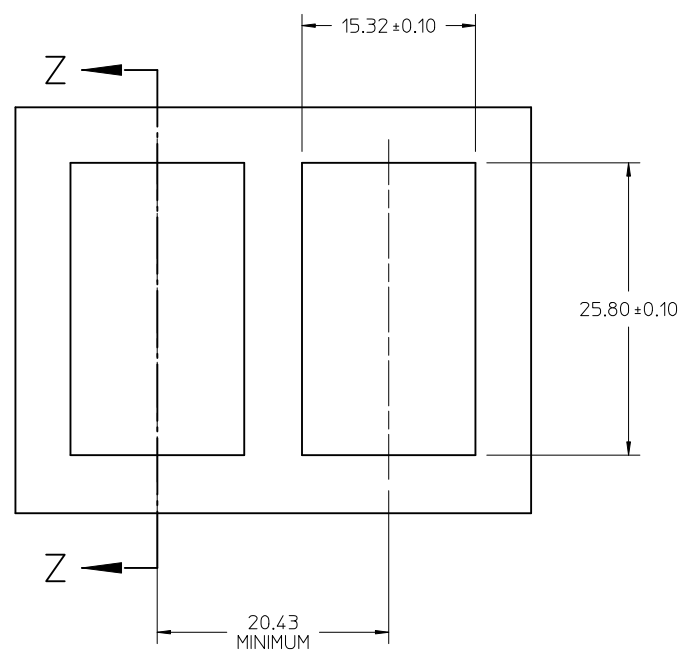
ADD FRONT VIEW EC NO: UCP2011-2594 IDRW:MWOLFE 2011/02/28 CHKD:BBARKER 2011/02/28 APPR:SMILLER 2011/09/20	QUALITY SYMBOLS ▽=0 ▽=0 ▽=0	GENERAL TOLERANCES (UNLESS SPECIFIED) <table border="1"> <thead> <tr> <th></th> <th>mm</th> <th>INCH</th> </tr> </thead> <tbody> <tr> <td>4 PLACES</td> <td>± .---</td> <td>± .---</td> </tr> <tr> <td>3 PLACES</td> <td>± .---</td> <td>± .---</td> </tr> <tr> <td>2 PLACES</td> <td>± 0.13</td> <td>± .---</td> </tr> <tr> <td>1 PLACE</td> <td>± 0.25</td> <td>± .---</td> </tr> </tbody> </table> ANGULAR ± 5 °		mm	INCH	4 PLACES	± .---	± .---	3 PLACES	± .---	± .---	2 PLACES	± 0.13	± .---	1 PLACE	± 0.25	± .---	DIMENSION STYLE <b>MM ONLY</b> DRAWN BY DATE JJANTELEZ10 01-18-2007 CHECKED BY DATE MSANDBERG 01-18-2007 APPROVED BY DATE RNELSON 01-18-2007	SCALE <b>6:1</b> TITLE <b>STACKED SFP+ 2X1 ASS'Y WITH ELASTOMERIC GASKET</b>	DESIGN UNITS <b>METRIC</b> THIRD ANGLE PROJECTION
		mm	INCH																	
	4 PLACES	± .---	± .---																	
	3 PLACES	± .---	± .---																	
2 PLACES	± 0.13	± .---																		
1 PLACE	± 0.25	± .---																		
MATERIAL NO. <b>SEE TABLE</b>	DOCUMENT NO. <b>SD-76100-001</b>	SHEET NO. <b>2 OF 4</b>																		
DRAFT WHERE APPLICABLE MUST REMAIN WITHIN DIMENSIONS	THIS DRAWING CONTAINS INFORMATION THAT IS PROPRIETARY TO MOLEX INCORPORATED AND SHOULD NOT BE USED WITHOUT WRITTEN PERMISSION																			
SIZE C																				



RECOMMENDED PCB LAYOUT - COMPONENT SIDE  
 MINIMUM PCB THICKNESS OF 1.57mm  
 THE ENTIRE AREA OF THE CONNECTOR FOOTPRINT  
 TO BE CONSIDERED THE KEEP OUT AREA INDICATED  
 BY THE DASHED LINE



<b>CHG DETAIL CALLOUT</b> EC NO: UCP2011-2594 DRAWN: MWOLFE 2011/02/28 CHKD: BBARKER 2011/02/28 APPR: SMILLER 2011/09/20	QUALITY SYMBOLS ▽=0 ▽=0 ▽=0	GENERAL TOLERANCES (UNLESS SPECIFIED)		DIMENSION STYLE <b>MM ONLY</b>		SCALE <b>3:1</b>	DESIGN UNITS <b>METRIC</b>	THIRD ANGLE PROJECTION			
		4 PLACES ± --- ± ---	3 PLACES ± --- ± ---	2 PLACES ± 0.13 ± ---	1 PLACE ± 0.25 ± ---	DRAWN BY JJANTELEZ10	DATE 01-18-2007	TITLE <b>STACKED SFP+ 2X1 ASS'Y WITH ELASTOMERIC GASKET</b>			
		ANGULAR ± 5 °				CHECKED BY MSANDBERG	DATE 01-18-2007	APPROVED BY RNELSON			
		DRAFT WHERE APPLICABLE MUST REMAIN WITHIN DIMENSIONS				MATERIAL NO. <b>SEE TABLE</b>	DATE 01-18-2007	MOLEX INCORPORATED		DOCUMENT NO. <b>SD-76100-001</b>	SHEET NO. <b>3 OF 4</b>



SECTION Z-Z

BEZEL CUT-OUT CENTER SPACING DETAIL  
BEZEL THICKNESS 0.8-2.6

CHG BEZEL ABOVE PCB DIM EC NO: UCP2011-2594 2011/02/28 DRWN:WOLFE 2011/02/28 CHKD:BBARKER 2011/09/20 APPR:SMILLER	QUALITY SYMBOLS ∇=0 ∇=0 ∇=0	GENERAL TOLERANCES (UNLESS SPECIFIED)		DIMENSION STYLE <b>MM ONLY</b>		SCALE 3:1	DESIGN UNITS METRIC	THIRD ANGLE PROJECTION		
		4 PLACES	± ---	± ---	DRAWN BY JJANTELEZ10	DATE 01-18-2007	TITLE STACKED SFP+ 2X1 ASS'Y WITH ELASTOMERIC GASKET			
		3 PLACES	± ---	± ---	CHECKED BY MSANDBERG	DATE 01-18-2007				
		2 PLACES	± 0.13	± ---	APPROVED BY RNELSON	DATE 01-18-2007	MOLEX INCORPORATED DOCUMENT NO. SD-76100-001 SHEET NO. 4 OF 4			
1 PLACE	± 0.25	± ---	MATERIAL NO. SEE TABLE		SIZE C					
DRAFT WHERE APPLICABLE MUST REMAIN WITHIN DIMENSIONS		ANGULAR ± 5 °								