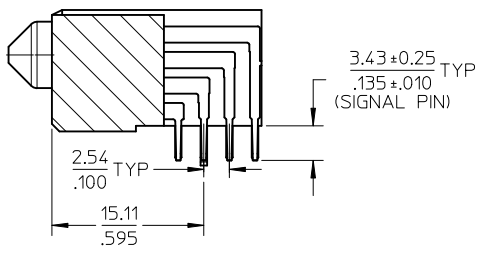
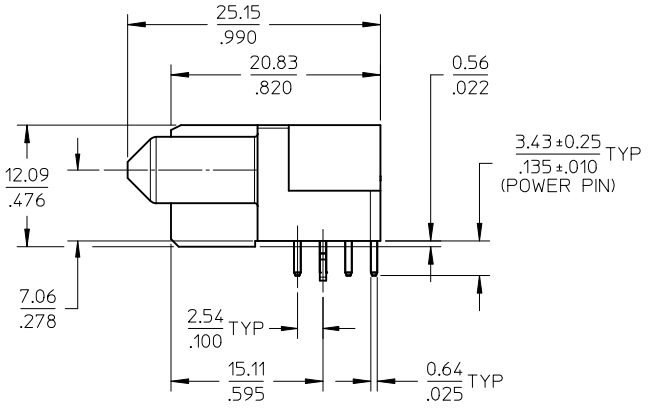
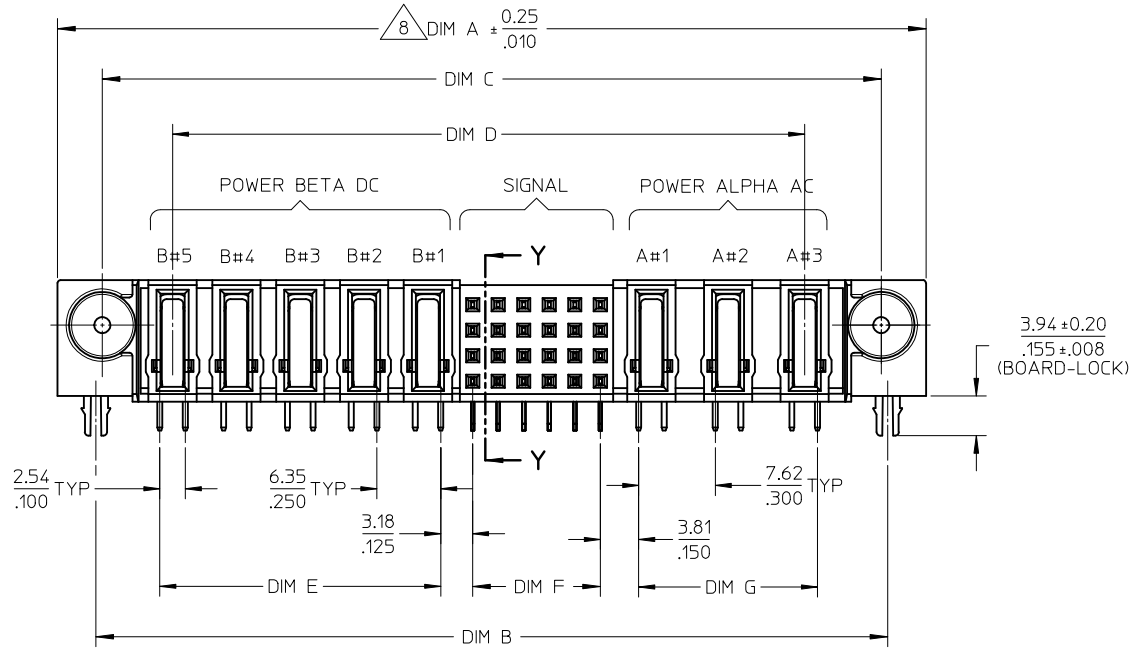


ISOMETRIC VIEW
5P(DC)-24S-3P(AC) FOR
ILLUSTRATION ONLY



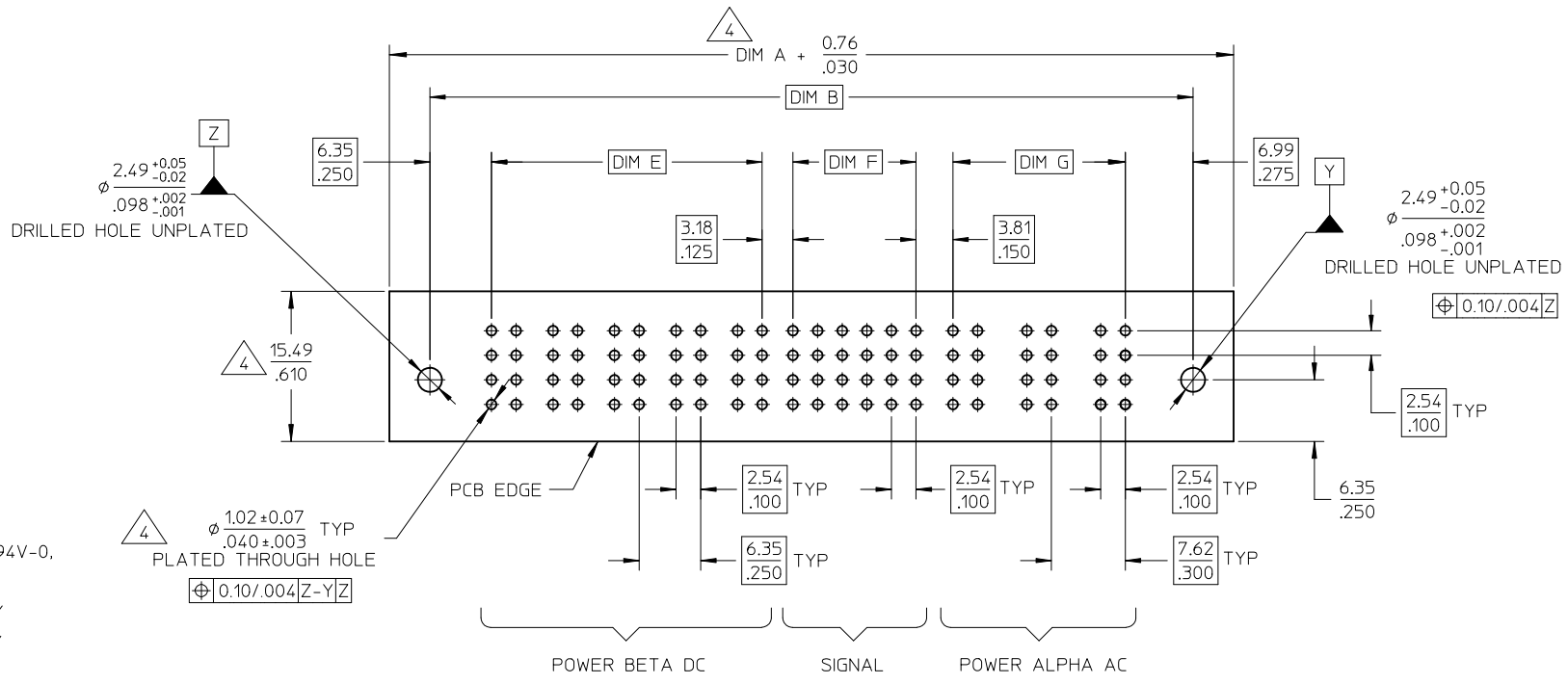
SECTION Y-Y

UPDATE VIEWS IEC NO: S2011-0093 DRWN:SKANG CHKD:ATSEE APPR:MLONG	2010/08/31	QUALITY SYMBOLS ▽=0 ▽=0
	2010/09/14	
REV	DESCRIPTION	
D1		

GENERAL TOLERANCES (UNLESS SPECIFIED)	4 PLACES	\pm ---	\pm ---
	3 PLACES	\pm ---	\pm .005
	2 PLACES	\pm 0.13	\pm .010
	1 PLACE	\pm 0.25	\pm ---
	ANGULAR		\pm 3 °
DRAFT WHERE APPLICABLE MUST REMAIN WITHIN DIMENSIONS			

DIMENSION STYLE MM/IN	
DRAWN BY BHLW	DATE 2002/11/20
CHECKED BY PTLIM	DATE 2002/11/26
APPROVED BY MLONG	DATE 2010/09/16
MATERIAL NO. SEE TABLE	DOCUMENT NO. SD-87664-011

SCALE NTS	DESIGN UNITS METRIC	THIRD ANGLE PROJECTION
TITLE EXTREME POWERPLUS RECEPT P(A)AC-S-P(B)DC CONFIG. R/A, T/H, BOARD-LOCK		
MOLEX INCORPORATED		SHEET NO. 1 OF 3
THIS DRAWING CONTAINS INFORMATION THAT IS PROPRIETARY TO MOLEX INCORPORATED AND SHOULD NOT BE USED WITHOUT WRITTEN PERMISSION		




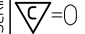
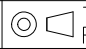
NOTES:

1. MATERIALS:-
HOUSING - LCP, GLASS FILLED, UL94V-0, COLOUR: BLACK.
SIGNAL TERMINAL - COPPER ALLOY
POWER TERMINAL - COPPER ALLOY
2. FINISH :-
SIGNAL & POWER CONTACTS
0.76 MICROMETER MINIMUM GOLD (Au) AT CONTACT AREA AND
2.54 MICROMETER MINIMUM TIN AT SOLDERTAIL AREA
OVER 1.27 MICROMETER MINIMUM NICKEL (Ni) UNDERPLATE.
3. PRODUCT SPECIFICATION : PS-87663-006.
4. COMPONENT STAY AWAY FROM CONNECTOR.
5. PCB NOTE FOR DIAMETER 1.02/.040 PLATED HOLE.
- DRILLED HOLE SIZE IS 1.15/ .0453.
- PLATE WITH 0.007 / .0003 MINIMUM TIN OVER 0.03/.001 TO 0.08/.003 COPPER PLATING TO ACHIEVE 1.02±0.07/.040±.003 HOLE.
6. ALL TERMINAL TIPS ARE DESIGNED WITH EXPOSE BASE COPPER.
THIS IS CREATED BY FINAL CUTTING PROCESS AFTER PLATING.
7. MANUFACTURING LOGO, PART NUMBER AND YEAR-WEEK CODE.
8. 5P(DC)-24S-3P(AC) IS SHOWN FOR ILLUSTRATION.
CONNECTOR CONFIGURATION IS AVAILABLE UP TO 203MM/8INCH.
PLEASE CONTACT MOLEX SALES PERSONNEL FOR OTHER CONFIGURATION AND OPTION NEEDED.

RECOMMENDED PCB LAYOUT

UPDATE VIEWS IEC NO: S2011-0093 DRWN:SKANG 2010/08/31 CHKD:ATSEE 2010/09/14 APPR:MLONG 2010/09/24	QUALITY SYMBOLS ▽=0 ◻=0	GENERAL TOLERANCES (UNLESS SPECIFIED)		DIMENSION STYLE MM/IN		SCALE NTS	DESIGN UNITS METRIC	THIRD ANGLE PROJECTION		
		4 PLACES ± --- ± ---	3 PLACES ± --- ± .005	2 PLACES ± 0.13 ± .010	1 PLACE ± 0.25 ± ---	ANGULAR ± 3 °	DRAWN BY BHLW	DATE 2002/11/20	TITLE EXTREME POWERPLUS RECEPT P(A)AC-S-P(B)DC CONFIG. R/A, T/H, BOARD-LOCK	
		DRAFT WHERE APPLICABLE MUST REMAIN WITHIN DIMENSIONS			SIZE A3	CHECKED BY PTLIM	DATE 2002/11/26	APPROVED BY MLONG		DATE 2010/09/16
		SEE TABLE		DOCUMENT NO. SD-87664-011		SHEET NO. 2 OF 3				

PART NUMBER	P-S-P CONFIGURATION			DIM A	DIM B	DIM C	DIM D	DIM E	DIM F	DIM G	RECESSED POWER PIN LOCATION		PACKAGING
	POWER BETA DC	SIGNAL	POWER ALPHA AC								A	B	
87664-2000	5	24	3	86.36 3.400	78.74 3.100	77.47 3.050	62.88 2.475	27.94 1.100	12.70 .500	17.78 .700	A 2, 3 B 1, 2, 3, 4, 5	TRAY	
87664-2001	6	24	3	92.71 3.650	85.09 3.350	83.82 3.300	69.23 2.725	34.29 1.350	12.70 .500	17.78 .700	A 2, 3 B 1, 2, 3, 4, 5, 6	TRAY	

UPDATE VIEWS EC NO: S2011-0093 DRWN:SKANG CHKD:ATSEE APPR:MLONG	2010/08/31 2010/09/14 2010/09/24	DESCRIPTION REV	QUALITY SYMBOLS  =0  =0	GENERAL TOLERANCES (UNLESS SPECIFIED)		DIMENSION STYLE MM/IN		SCALE NTS	DESIGN UNITS METRIC	 THIRD ANGLE PROJECTION
				DRAWN BY BHLW	DATE 2002/11/20	TITLE EXTREME POWERPLUS RECEPT P(A)AC-S-P(B)DC CONFIG. R/A, T/H, BOARD-LOCK				
				CHECKED BY PTLIM	DATE 2002/11/26					
				APPROVED BY MLONG	DATE 2010/09/16	MATERIAL NO. SEE TABLE		DOCUMENT NO. SD-87664-011		SHEET NO. 3 OF 3
DRAFT WHERE APPLICABLE MUST REMAIN WITHIN DIMENSIONS		SIZE A3		THIS DRAWING CONTAINS INFORMATION THAT IS PROPRIETARY TO MOLEX INCORPORATED AND SHOULD NOT BE USED WITHOUT WRITTEN PERMISSION						

E

D

C

B

A

F

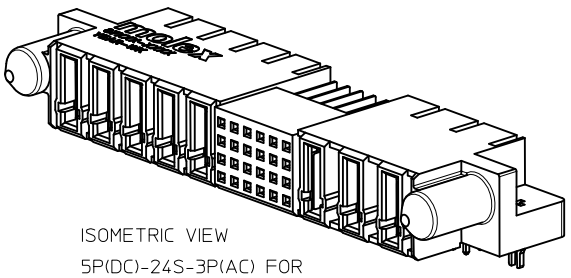
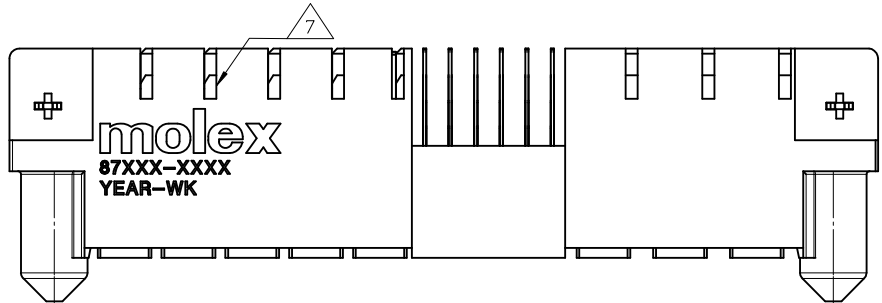
E

D

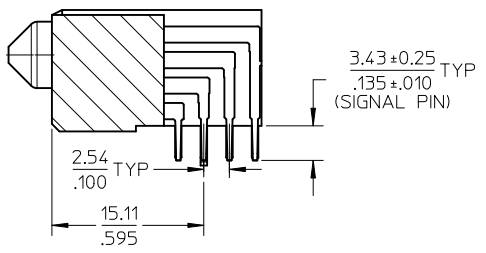
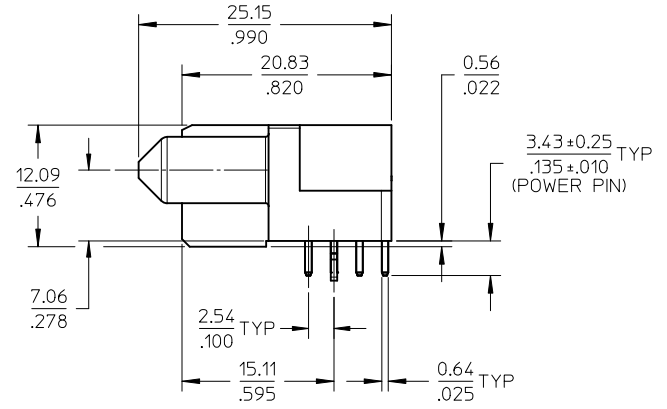
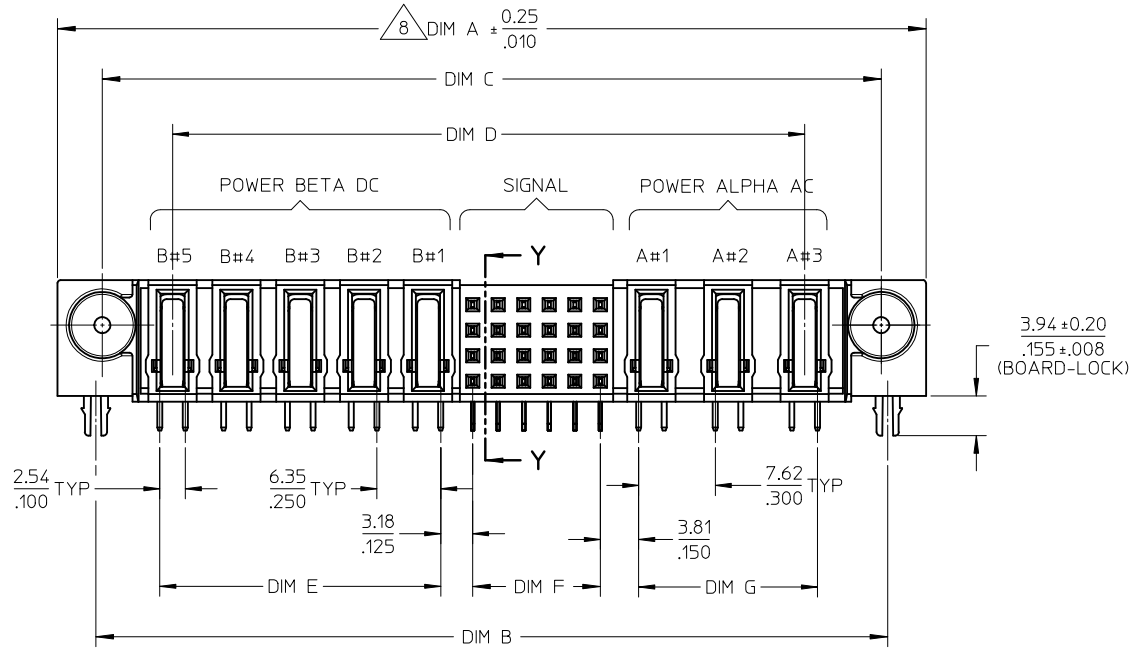
C

B

A



ISOMETRIC VIEW
5P(DC)-24S-3P(AC) FOR
ILLUSTRATION ONLY



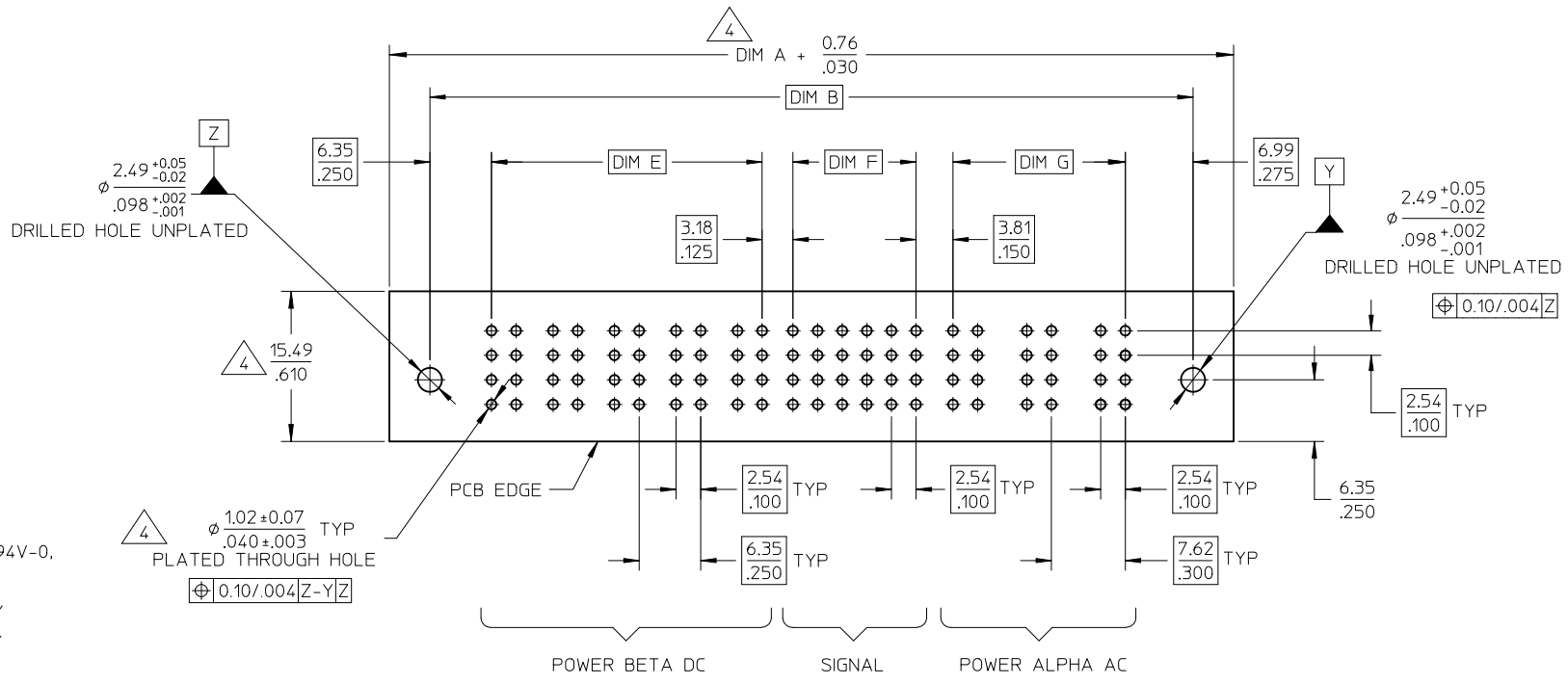
SECTION Y-Y

UPDATE VIEWS IEC NO: S2011-0093 DRWN:SKANG CHKD:ATSEE APPR:MLONG	2010/08/31	QUALITY SYMBOLS ▽=0 ◁=0
	2010/09/14	
2010/09/24	DESCRIPTION	
D1	REV	

GENERAL TOLERANCES (UNLESS SPECIFIED)	mm	INCH
	4 PLACES ± ---	± ---
	3 PLACES ± ---	± .005
	2 PLACES ± 0.13	± .010
	1 PLACE ± 0.25	± ---
	ANGULAR ± 3 °	
DRAFT WHERE APPLICABLE MUST REMAIN WITHIN DIMENSIONS		

DIMENSION STYLE MM/IN	
DRAWN BY BHLW	DATE 2002/11/20
CHECKED BY PTLIM	DATE 2002/11/26
APPROVED BY MLONG	DATE 2010/09/16
MATERIAL NO. SEE TABLE	DOCUMENT NO. SD-87664-011

SCALE NTS	DESIGN UNITS METRIC	THIRD ANGLE PROJECTION
TITLE EXTREME POWERPLUS RECEPT P(A)AC-S-P(B)DC CONFIG. R/A, T/H, BOARD-LOCK		
MOLEX INCORPORATED		SHEET NO. 1 OF 3
THIS DRAWING CONTAINS INFORMATION THAT IS PROPRIETARY TO MOLEX INCORPORATED AND SHOULD NOT BE USED WITHOUT WRITTEN PERMISSION		



NOTES:

1. MATERIALS:-
HOUSING - LCP, GLASS FILLED, UL94V-0, COLOUR: BLACK.
SIGNAL TERMINAL - COPPER ALLOY
POWER TERMINAL - COPPER ALLOY
2. FINISH :-
SIGNAL & POWER CONTACTS
0.76 MICROMETER MINIMUM GOLD (Au) AT CONTACT AREA AND
2.54 MICROMETER MINIMUM TIN AT SOLDERTAIL AREA
OVER 1.27 MICROMETER MINIMUM NICKEL (Ni) UNDERPLATE.
3. PRODUCT SPECIFICATION : PS-87663-006.
4. COMPONENT STAY AWAY FROM CONNECTOR.
5. PCB NOTE FOR DIAMETER 1.02/.040 PLATED HOLE.
- DRILLED HOLE SIZE IS 1.15/ .0453.
- PLATE WITH 0.007 / .0003 MINIMUM TIN OVER 0.03/.001
TO 0.08/.003 COPPER PLATING TO ACHIEVE 1.02±0.07/.040±.003 HOLE.
6. ALL TERMINAL TIPS ARE DESIGNED WITH EXPOSE BASE COPPER.
THIS IS CREATED BY FINAL CUTTING PROCESS AFTER PLATING.
7. MANUFACTURING LOGO, PART NUMBER AND YEAR-WEEK CODE.
8. 5P(DC)-24S-3P(AC) IS SHOWN FOR ILLUSTRATION.
CONNECTOR CONFIGURATION IS AVAILABLE UP TO 203MM/8INCH.
PLEASE CONTACT MOLEX SALES PERSONNEL FOR OTHER
CONFIGURATION AND OPTION NEEDED.

RECOMMENDED PCB LAYOUT

UPDATE VIEWS IEC NO: S2011-0093 DRWN:SKANG 2010/08/31 CHKD:ATSEE 2010/09/14 APPR:MLONG 2010/09/24	QUALITY SYMBOLS ▽=0 ◻=0	GENERAL TOLERANCES (UNLESS SPECIFIED)		DIMENSION STYLE MM/IN		SCALE NTS	DESIGN UNITS METRIC	THIRD ANGLE PROJECTION	
		4 PLACES ± --- ± ---	3 PLACES ± --- ± .005	2 PLACES ± 0.13 ± .010	1 PLACE ± 0.25 ± ---	ANGULAR ± 3 °	DRAWN BY BHLW	DATE 2002/11/20	TITLE EXTREME POWERPLUS RECEPT P(A)AC-S-P(B)DC CONFIG. R/A, T/H, BOARD-LOCK
		DRAFT WHERE APPLICABLE MUST REMAIN WITHIN DIMENSIONS		SEE TABLE	APPROVED BY MLONG	DATE 2010/09/16	MATERIAL NO.	DOCUMENT NO. SD-87664-011	
		D1		SIZE A3	THIS DRAWING CONTAINS INFORMATION THAT IS PROPRIETARY TO MOLEX INCORPORATED AND SHOULD NOT BE USED WITHOUT WRITTEN PERMISSION				
MOLEX INCORPORATED									

PART NUMBER	P-S-P CONFIGURATION			DIM A	DIM B	DIM C	DIM D	DIM E	DIM F	DIM G	RECESSED POWER PIN LOCATION		PACKAGING
	POWER BETA DC	SIGNAL	POWER ALPHA AC								A	B	
87664-2000	5	24	3	86.36 3.400	78.74 3.100	77.47 3.050	62.88 2.475	27.94 1.100	12.70 .500	17.78 .700	A 2, 3 B 1, 2, 3, 4, 5	TRAY	
87664-2001	6	24	3	92.71 3.650	85.09 3.350	83.82 3.300	69.23 2.725	34.29 1.350	12.70 .500	17.78 .700	A 2, 3 B 1, 2, 3, 4, 5, 6	TRAY	

UPDATE VIEWS EC NO: S2011-0093 DRWN:SKANG CHKD:ATSEE APPR:MLONG 2010/08/31 2010/09/14 2010/09/24	QUALITY SYMBOLS =0 =0.005	GENERAL TOLERANCES (UNLESS SPECIFIED) <table border="1"> <tr> <th></th> <th>mm</th> <th>INCH</th> </tr> <tr> <td>4 PLACES</td> <td>± ---</td> <td>± ---</td> </tr> <tr> <td>3 PLACES</td> <td>± ---</td> <td>± .005</td> </tr> <tr> <td>2 PLACES</td> <td>± 0.13</td> <td>± .010</td> </tr> <tr> <td>1 PLACE</td> <td>± 0.25</td> <td>± ---</td> </tr> </table>		mm	INCH	4 PLACES	± ---	± ---	3 PLACES	± ---	± .005	2 PLACES	± 0.13	± .010	1 PLACE	± 0.25	± ---	DIMENSION STYLE MM/IN DRAWN BY: BHLW DATE: 2002/11/20 CHECKED BY: PTLIM DATE: 2002/11/26 APPROVED BY: MLONG DATE: 2010/09/16	SCALE: NTS DESIGN UNITS: METRIC THIRD ANGLE PROJECTION	TITLE: EXTREME POWERPLUS RECEPT P(A)AC-S-P(B)DC CONFIG. R/A, T/H, BOARD-LOCK MOLEX INCORPORATED
		mm	INCH																	
	4 PLACES	± ---	± ---																	
	3 PLACES	± ---	± .005																	
2 PLACES	± 0.13	± .010																		
1 PLACE	± 0.25	± ---																		
DRAFT WHERE APPLICABLE MUST REMAIN WITHIN DIMENSIONS	MATERIAL NO.: SEE TABLE DOCUMENT NO.: SD-87664-011	SHEET NO.: 3 OF 3																		
SIZE: A3 THIS DRAWING CONTAINS INFORMATION THAT IS PROPRIETARY TO MOLEX INCORPORATED AND SHOULD NOT BE USED WITHOUT WRITTEN PERMISSION																				
D1	REV																			