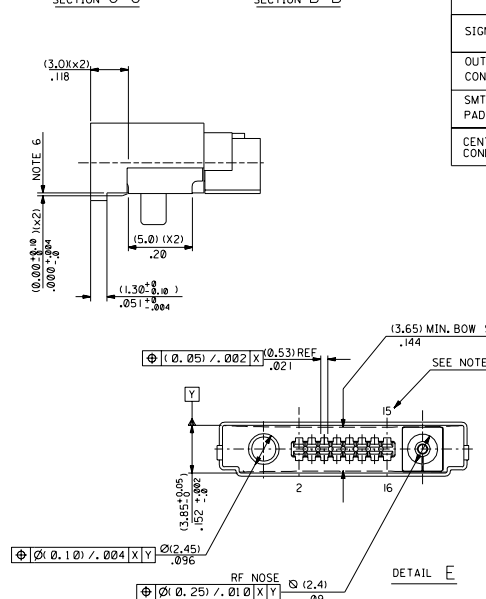


COMPONENT	PCB PAD DIMENSION	QTY
LOCKING LATCHES 1	(2.60) / .102 x (4.65) / .183 Φ (0.10) / .004 R	(x2)
SIGNAL CONTACTS 2	(0.35 ± 0.05) / .014 ± 0.002 x (2.0) / .08 Φ (0.10) / .004 R	(x16)
OUTER CO-AX CONDUCTOR 3	(1.30) / .051 x (2.2) / .087 Φ (0.10) / .004 R	(x2)
SMT RETENTION PADS 4	(2.50) / .098 x (5.0) / .197 Φ (0.10) / .004 R	(x2)
CENTRE CO-AX CONDUCTOR 5	(0.90) / .035 x (2.2) / .087 Φ (0.10) / .004 R	(x1)

- NOTES:**
- MATERIALS:
HOUSING: NYLON 46 50% CLASS FILLED COLOUR BLACK
SMT RETENTION PADS: PHOSPHOR BRONZE (0.30) / .012 REF. THICK.
PLATING: (3-5um) / .118-197um IN. TIN.
OVER (1.2um) / .050um NICKEL.
LOCKING LATCHES: PHOSPHOR BRONZE (0.30) / .012 REF. THICK.
PLATING: (3-5um) / .118-197um IN. TIN.
OVER (1.2um) / .050um NICKEL.
SIGNAL CONTACTS: PHOSPHOR BRONZE (0.20) / .008 REF. THICK.
PLATING: (1.2um) / .050um MIN. NICKEL UNDERCOAT OVERALL.
GOLD FLASH (0.1um) / .004um MIN.
OVER PALLADIUM NICKEL (1.0um) / .039um MIN. IN CONTACT AREA. (3.0um) / .118um MIN. TIN ON TAIL SECTION.
 - MATES WITH 90813 SERIES PLUG CONNECTOR.
 - SEE PRODUCT SPECIFICATION P5 99020-0045.
 - RF CONNECTOR PART NUMBER 90854-0003.
 - POWER CONTACTS TO BE ON CIRCUITS 1,2,15,16.
 - ALL SMT TAILS TO LIE WITHIN A COPLANARITY BAND OF (0.0) / .0 - (0.1) / .004 REF. FROM EACH OTHER AND BELOW HOUSING BASE.
 - COMPONENTS PACKAGED IN TRAYS P/No. P5-99025-0024
 - PRODUCT I.D. MARK *** HOT STAMPED IN (1.5) / .06 HIGH TEXT. WEEK No. --- SALES DRAWING REVISION
 - PEGS ARE NOT TO BE USED FOR PCB LOCATION



REMOVE LEAD FROM PLATING EC. NO. E2004-0574 DRAWING DEPARTMENT 22/12/03 CHK. APPR.	QUALITY SYMBOLS MAJOR = CRITICAL =	GENERAL TOLERANCES: (UNLESS SPECIFIED)		SCALE 5:1	DESIGN DATE	THIRD ANGLE PROJECTION	DIMENSIONS: mm INCH		SHT	REV
		4 PLACES ±0.1	3 PLACES ±0.05	2 PLACES ±0.02	1 PLACE ±0.01		mm	INCH	mm ONLY	REVISE ON CAD ONLY
DRAWN BY & DATE HDL 95/04/18		CHECKED BY & DATE		APPROVED BY & DATE		TITLE: RECEPTACLE 1/0 CONNECTOR FOR MOBILE PHONE HANDSET		MATERIAL NO. 90811-0110		
CAD FILENAME		DRAWING NO. SDA-90811-0110		SHEET NO. 1 OF 1		MOLEX INCORPORATED				
DRAFT WHERE APPLICABLE MUST REMAIN WITHIN DIMENSIONS		THIS DRAWING CONTAINS INFORMATION THAT IS PROPRIETARY TO MOLEX INCORPORATED AND SHOULD NOT BE USED WITHOUT WRITTEN PERMISSION.		SIZE D						