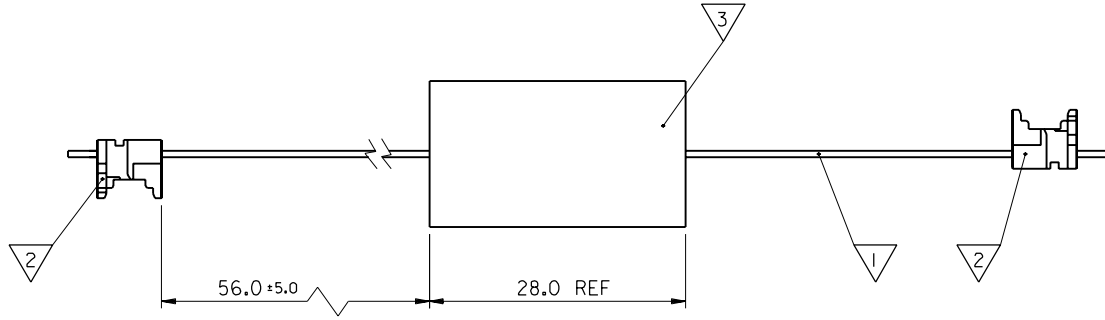
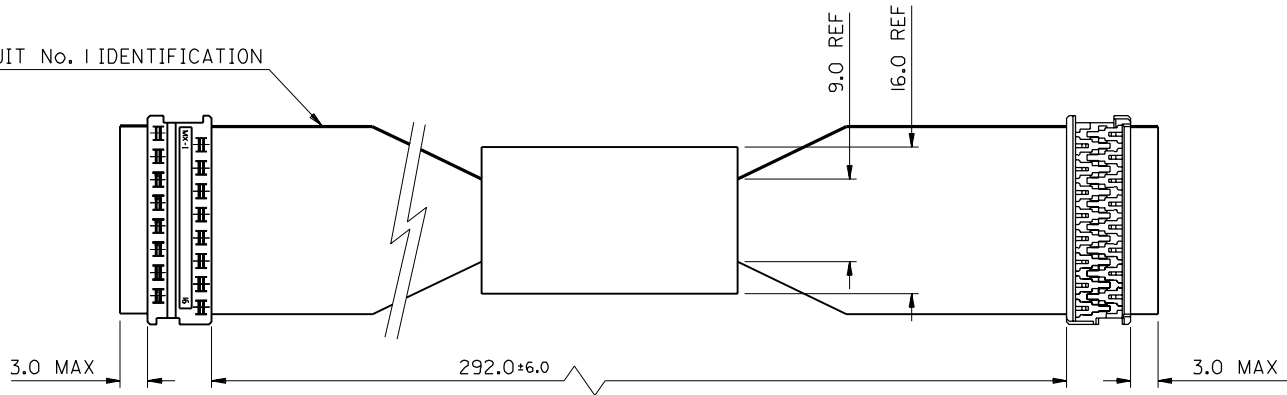


PART NO. 92301-0164  
 DWG. NO. SD-92301-296

CIRCUIT No. IDENTIFICATION



ITEM	COMPONENT	DESCRIPTION	QTY	NOTE
1	99026-0001	16 CKT 28 AWG STRANDED TINNED RIBBON CABLE	1	3, 4
2	90327-0316	PICOFLEX FEMALE IDT CONNECTOR	2	1, 2, 4
3	90848-0385	FERRITE, REF WURTH 742 7005	1	

- NOTES:**
- SEE PRODUCT SPECIFICATIONS PS-99020-0011.
  - SEE TERMINATION SPECIFICATION ES-99033-0001.
  - SEE CABLE SPECIFICATION ES-99027-0006.
  - HARNESSES TO BE 100% ELECTRICALLY TESTED.

CHG DIMS EC NO. 2001-0628 DRWN: D.RYAN 00/11/29 CHK: / / / / APPR: / / / /	QUALITY SYMBOLS MAJOR = CRITICAL = C =	GENERAL TOLERANCES: (UNLESS SPECIFIED) mm      INCH 4 PLACES ±0.      ±. 3 PLACES ±0.      ±. 2 PLACES ±0.      ±. 1 PLACE ±0.      ±.	SCALE 2 : 1	DESIGN UNITS <input checked="" type="checkbox"/> mm <input type="checkbox"/> INCH	THIRD ANGLE PROJECTION <input type="checkbox"/> mm <input type="checkbox"/> INCH <input checked="" type="checkbox"/> mm ONLY	SHT    REV REVISE ON CAD ONLY
	DRAWN BY & DATE D.RYAN 00/02/29	TITLE: 16 CKT PICOFLEX HARNESS				
	CHECKED BY & DATE BENRIGHT 00/02/29	APPROVED BY & DATE MWILHITE 00/02/29				
	DRAFT WHERE APPLICABLE MUST REMAIN WITHIN DIMENSIONS	CAD FILENAME				
THIS DRAWING CONTAINS INFORMATION THAT IS PROPRIETARY TO MOLEX INCORPORATED AND SHOULD NOT BE USED WITHOUT WRITTEN PERMISSION.		MATERIAL NO. 92301-0164		DRAWING NO. SD-92301-296		SHEET NO. 1 OF 1