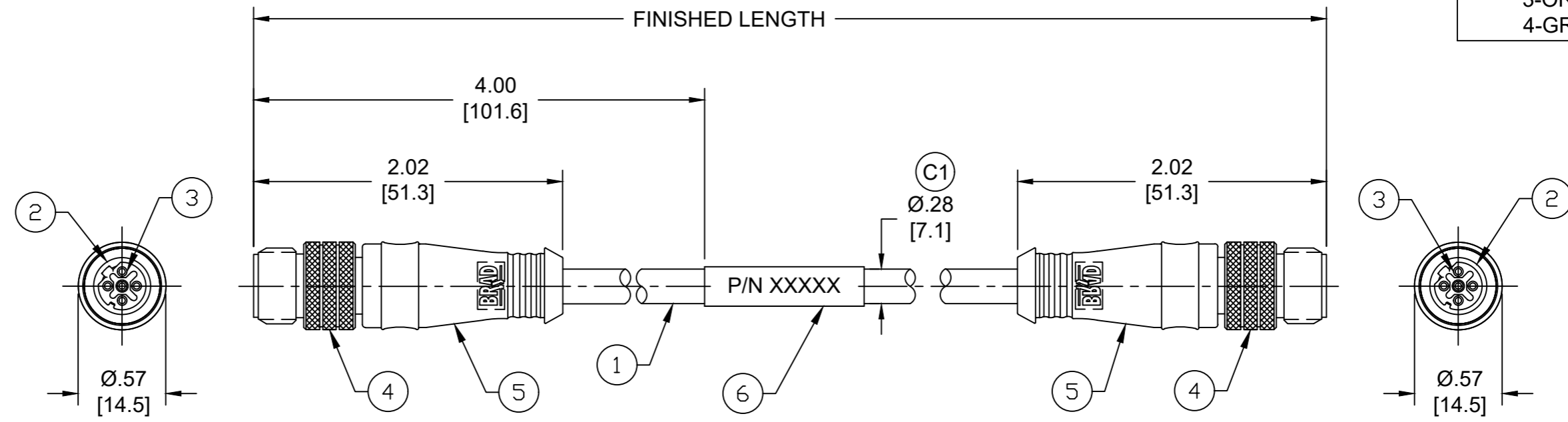
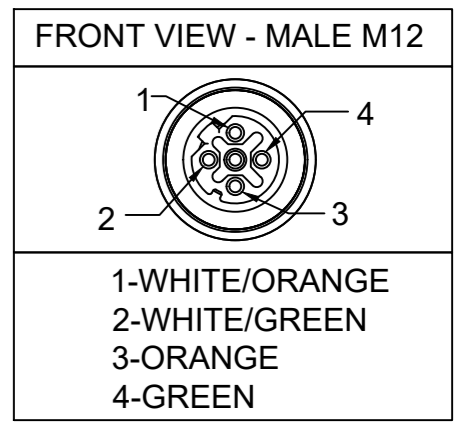


MATERIAL NUMBER	ENGINEERING NUMBER	FINISHED LENGTH
1201088181	E11A06006M005	0.5M [1FT 8 IN]
1201080366	E11A06006M600	60M[196FT 10 IN]
1201080533	E11A06006T100	100M[328FT 1 IN]



- NOTES:
1. MATERIAL: AS NOTED
  2. FINISH: AS NOTED
  3. ELECTRICAL:  
VOLTAGE: 30V AC/DC  
CURRENT: 1.5A
  4. TEMP RATING: -20°TO +75°C (C1)
  5. PROTECTION: IP67 (WHEN MATED)
  6. COUPLING THREAD: M12X1
  7. UL LISTED FILE: E361772 (C1)
  8. ALL DIMENSIONS ARE FOR REFERENCE UNLESS TOLERANCED OR NOTED OTHERWISE

**PART NUMBER LEGEND**  
**E11A06006M005**

FINISHED LENGTH  
M005 - 0.5 METER  
M010 - 1 METER  
M200 - 20 METER  
T100 - 100 METER

(C1) CABLE LENGTH TOLERANCES

<.3M [1FT]:	+19mm-0 [+ .75in-0]
.3 - .9M [1 - 3FT]:	+44.5mm-0 [+1.75in-0]
.9 - 1.8M [3 - 6FT]:	+55.6mm-0 [+2.19in-0]
1.8 - 3.7M [6 - 12FT]:	+88.9mm-0 [+3.50in-0]
3.7 - 7.3M [12 - 24FT]:	+165.1mm-0 [+6.50in-0]
7.3-14.6M [24 - 48FT]:	+317.5mm-0 [+12.50in-0]
14.6 - 30.5M [48-100FT]:	+622.3mm-0 [+24.50in-0]
OVER 30M [100FT]	+2% OF FINISHED LENGTH

ITEM	DESCRIPTION	MATERIAL	FINISH
6	WRAP LABEL	VINYL	BLACK/WHITE
5	OVERMOLD	PUR	BLACK
4	COUPLING NUT	BRASS	NICKEL PLATED
3	CONTACT PIN	COPPER ALLOY	GOLD/NICKEL PLATED
2	MALE INSERT	PUR	BLACK
1	#24 AWG CABLE	TPE JACKET	BLUE

FUNCTIONAL SYMBOLS F=0 E=0 P=0	THIS DRAWING CONTAINS INFORMATION THAT IS PROPRIETARY TO MOLEX ELECTRONIC TECHNOLOGIES, LLC AND SHOULD NOT BE USED WITHOUT WRITTEN PERMISSION			
	DIMENSION UNITS	SCALE		
	INCH/MM	NTS	EC NO: 703079	
	GENERAL TOLERANCES (UNLESS SPECIFIED)		DRWN: ABENJAMINLW 2021/10/27	
4 PLACES	±----	±----	CHK'D: RSTONE 2022/04/12	
3 PLACES	±----	±----	APPR: BWOODMAN 2022/04/18	
2 PLACES	±----	±----	INITIAL REVISION:	
1 PLACE	±----	±----	DRWN: BARDEN 2013/02/15	
0 PLACES	±----	±----	APPR: JFMURPHY 2013/04/18	
ANGULAR TOL ± ---- °		DRAFT WHERE APPLICABLE MUST REMAIN WITHIN DIMENSIONS		THIRD ANGLE PROJECTION
		DRAWING	SERIES	MATERIAL NUMBER
		B-SIZE	120108	SEE CHART
		CUSTOMER		SHEET NUMBER
		FORD		1 OF 1